



Scheren  
Scissors

010

Chirurgische Scheren  
Operating Scissors

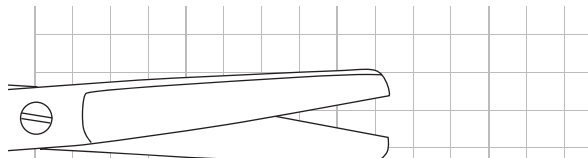


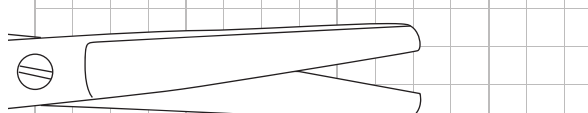
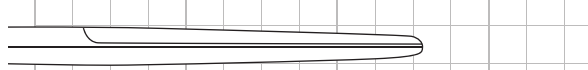

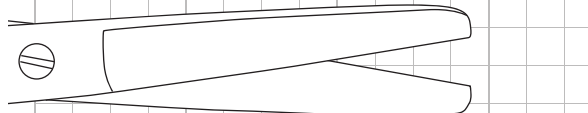
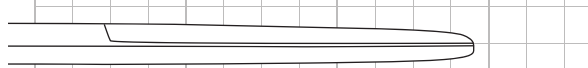



Art.Nr. Beschreibung | Description Size Spez.

STANDARD



010

		
010-000-11		11,5cm; 4 1/2"
010-001-11		11,5cm; 4 1/2"
		
010-000-13		13,0cm; 5"
010-001-13		13,0cm; 5"
		
010-000-14		14,5cm; 5 3/4"
010-001-14		14,5cm; 5 3/4"
	1/1 0 mm 20 mm 40 mm 60 mm	

Art.Nr. Beschreibung | Description Size Spez.

STANDARD



010-000-16		16,5cm; 6 1/2"
010-001-16		16,5cm; 6 1/2"
010-000-18		18,5cm; 7 1/4"
010-001-18		18,5cm; 7 1/4"
010-000-20		20,0cm; 8"
010-001-20		20,0cm; 8"

1/1 0 mm 20 mm 40 mm 60 mm 80 mm

010

Chirurgische Scheren  
Operating Scissors



Art.Nr. Beschreibung | Description Size Spez.

STANDARD



010

010-002-11		11,5cm; 4 1/2"
010-003-11		11,5cm; 4 1/2"
010-002-13		13,0cm; 5"
010-003-13		13,0cm; 5"
010-002-14		14,5cm; 5 3/4"
010-003-14		14,5cm; 5 3/4"
	1/1 0 mm 20 mm 40 mm 60 mm	

Art.Nr. Beschreibung | Description Size Spez.

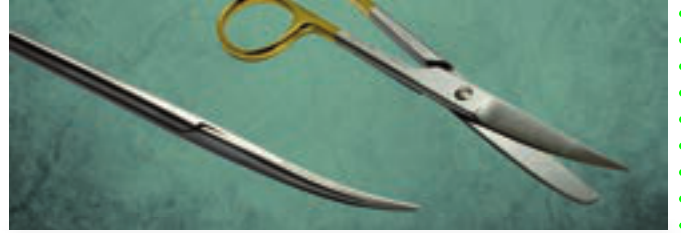
STANDARD



010-002-16		16,5cm; 6 1/2"
010-003-16		16,5cm; 6 1/2"
010-002-18		18,5cm; 7 1/4"
010-003-18		18,5cm; 7 1/4"
010-002-20		20,0cm; 8"
010-003-20		20,0cm; 8"

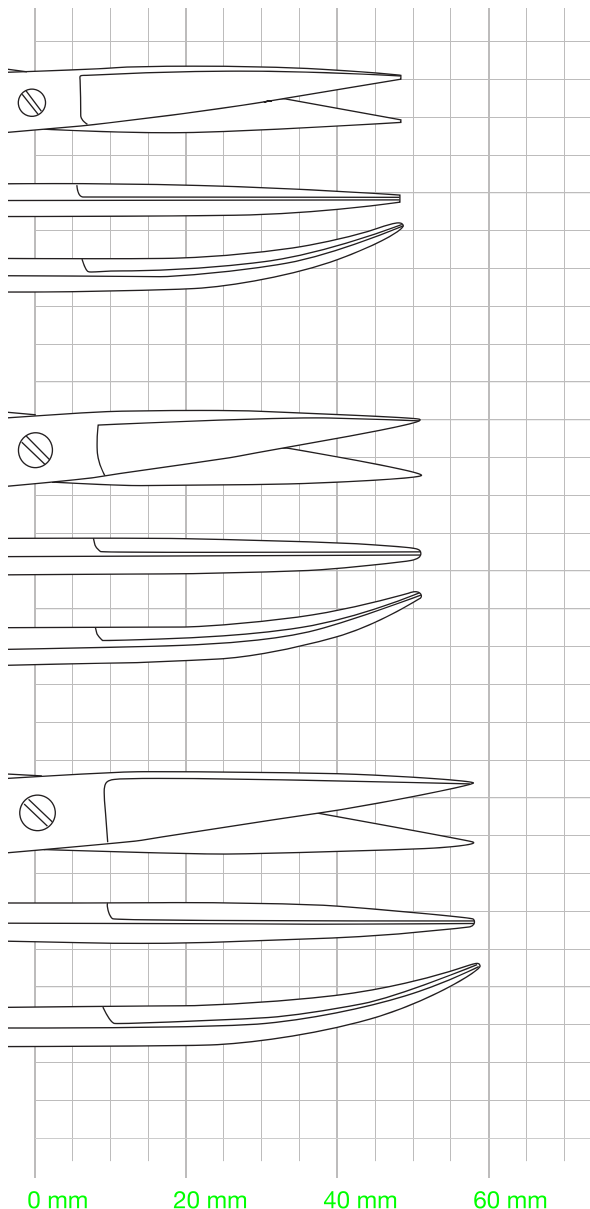
1/1 0 mm 20 mm 40 mm 60 mm 80 mm

Chirurgische Scheren  
Operating Scissors



Art.Nr. Beschreibung | Description Size Spez.

STANDARD



010-004-11

11,5cm; 4 1/2"

010-005-11

11,5cm; 4 1/2"

010-004-13

13,0cm; 5"

010-005-13

13,0cm; 5"

010-004-14

14,5cm; 5 3/4"

010-005-14

14,5cm; 5 3/4"





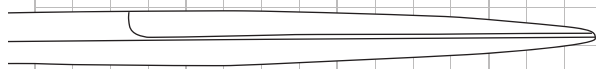
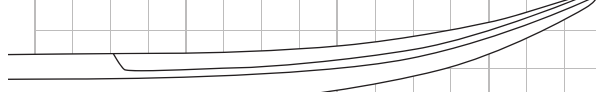
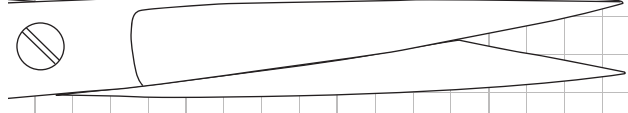
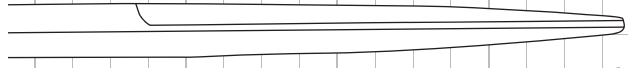

1/1 0 mm 20 mm 40 mm 60 mm

010

Art.Nr. Beschreibung | Description Size Spez.

STANDARD



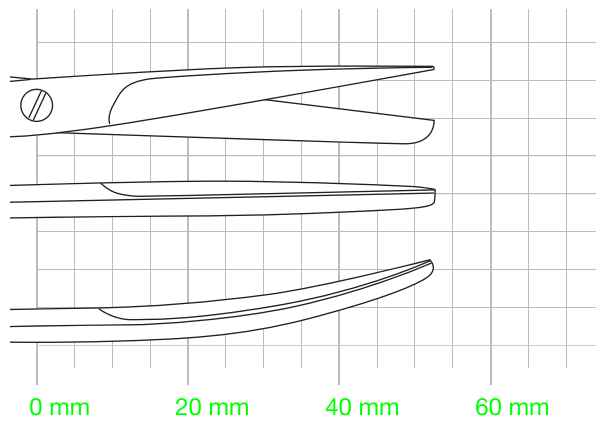
		
010-004-16		16,5cm; 6 1/2"
010-005-16		16,5cm; 6 1/2"
		
010-004-18		18,5cm; 7 1/4"
010-005-18		18,5cm; 7 1/4"
		
010-004-20		20,0cm; 8"
010-005-20		20,0cm; 8"

1/1 0 mm 20 mm 40 mm 60 mm 80 mm

Chirurgische Scheren  
Operating Scissors



Art.Nr.	Beschreibung   Description	Size	Spez.
	DEAVER	14,5cm; 5 3/4"	



010-052-14

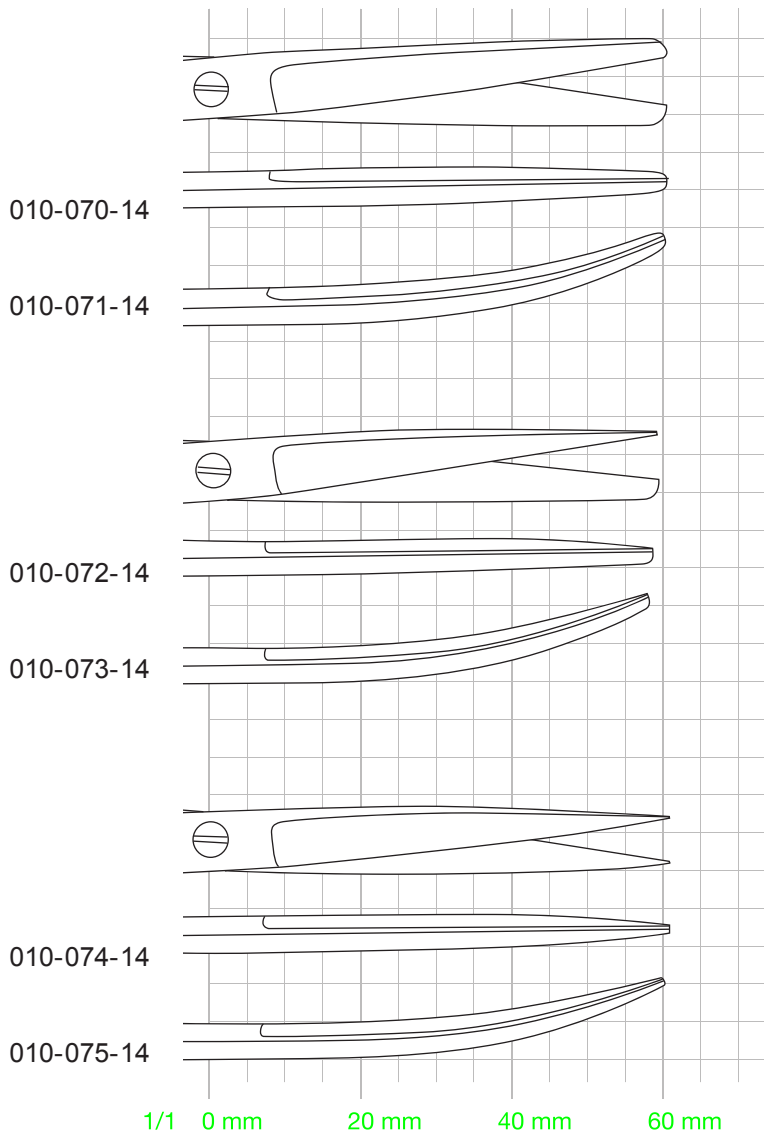
010-053-14

1/1 0 mm 20 mm 40 mm 60 mm

010



Art.Nr.	Beschreibung   Description	Size	Spez.
	GRAZIL	14,5cm; 5 3/4"	



Präparierscheren  
Dissecting Scissors



Art.Nr.	Beschreibung   Description	Size	Spez.
<b>MAYO</b>			
010-100-14		14,5cm; 5 3/4"	
010-101-14		14,5cm; 5 3/4"	
010-100-15		15,0cm; 6"	
010-101-15		15,0cm; 6"	
010-100-17		17,0cm; 6 3/4"	
010-101-17		17,0cm; 6 3/4"	
010-100-23		23,0cm; 9"	
010-101-23		23,0cm; 9"	

1/1 0 mm 20 mm 40 mm 60 mm 80 mm

010

Art.Nr. Beschreibung | Description Size Spez.

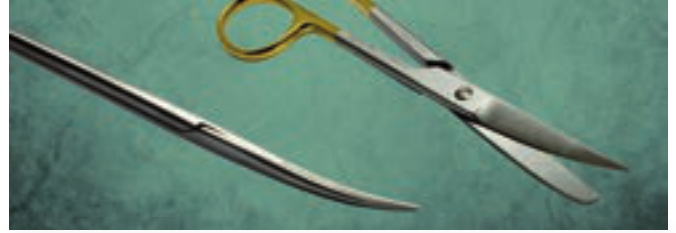
MAYO-STILLE



Art.Nr.	Beschreibung   Description	Size
010-102-15		15,0cm; 6"
010-103-15		15,0cm; 6"
010-102-16		16,0cm; 6 1/4"
010-103-16		16,0cm; 6 1/4"
010-102-17		17,0cm; 6 3/4"
010-103-17		17,0cm; 6 3/4"

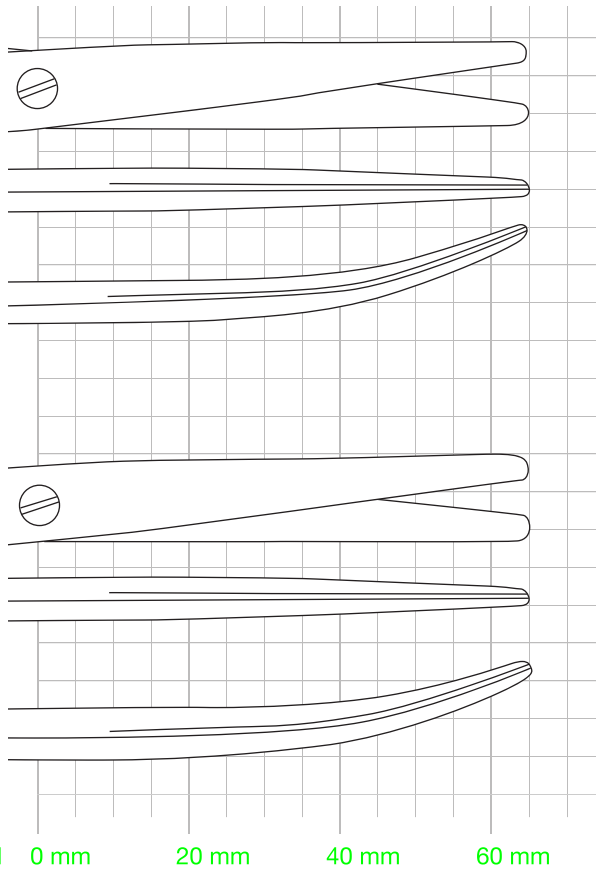
1/1 0 mm 20 mm 40 mm 60 mm

Präparierscheren  
Dissecting Scissors



Art.Nr.	Beschreibung   Description	Size	Spez.
---------	----------------------------	------	-------

MAYO-STILLE



010-102-19

19,5cm; 7 3/4"

010-103-19

19,5cm; 7 3/4"

010-102-21

21,0cm; 8 1/4"

010-103-21

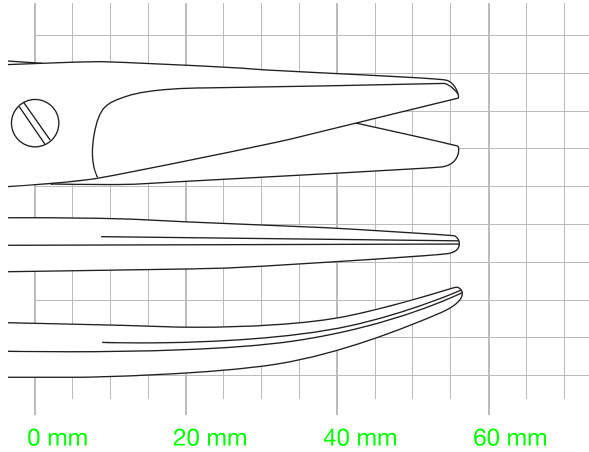
21,0cm; 8 1/4"

1/1 0 mm 20 mm 40 mm 60 mm

010

Präparierscheren  
Dissecting Scissors

Art.Nr.	Beschreibung   Description	Size	Spez.
	MAYO-NOBLE	17,0cm; 6 3/4"	

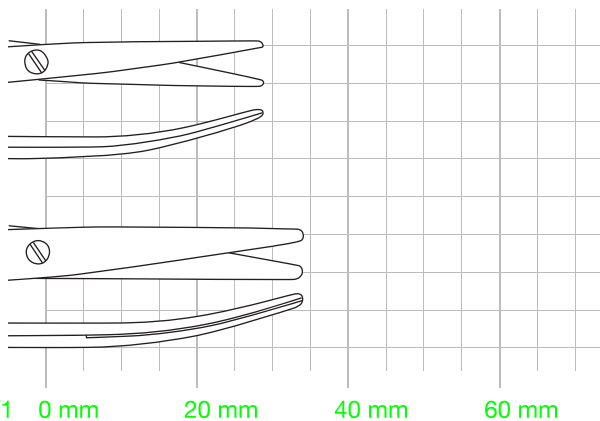


010-104-17

010-105-17

1/1 0 mm 20 mm 40 mm 60 mm

SALYER  
für Lippen-, Kiefer-, Gaumenspalte | for cleft palate



010-339-12

010-339-18

12,5cm; 5"

18,0cm; 7"

1/1 0 mm 20 mm 40 mm 60 mm

Präparierscheren  
Dissecting Scissors

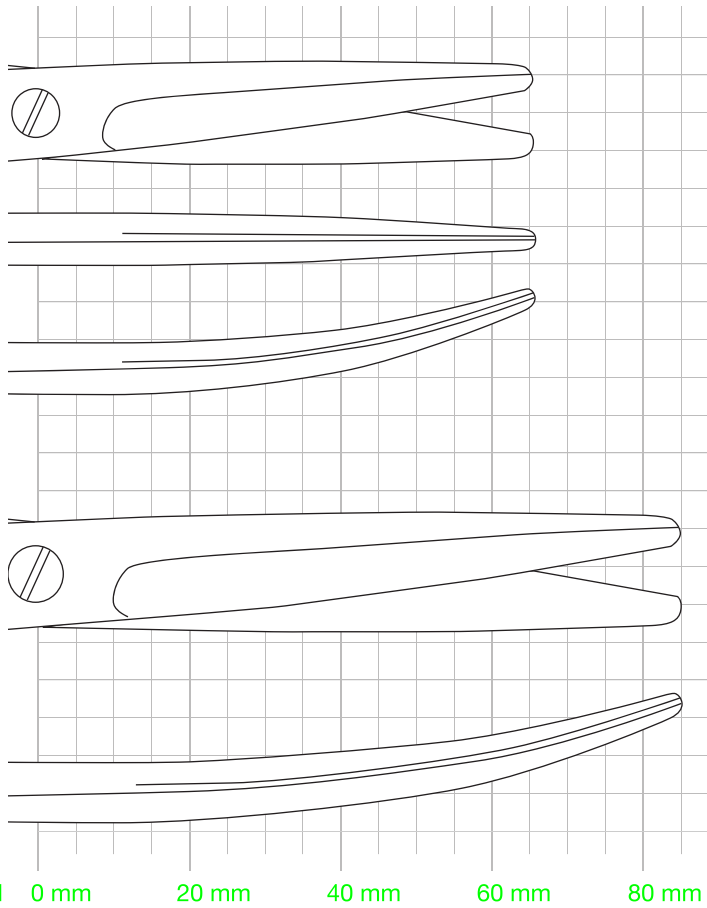


Art.Nr.	Beschreibung   Description	Size	Spez.
---------	----------------------------	------	-------

MAYO-HARRINGTON



010



010-108-22

23,0cm; 9"

010-109-22

23,0cm; 9"

010-109-28

28,0cm; 11"

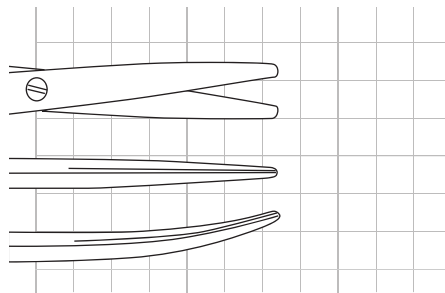
1/1 0 mm 20 mm 40 mm 60 mm 80 mm

Präparierscheren  
Dissecting Scissors

Art.Nr.	Beschreibung   Description	Size	Spez.
---------	----------------------------	------	-------

BABY-METZENBAUM

11,5cm; 4 1/2"



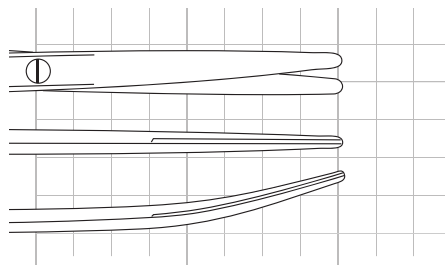
010-110-11

010-111-11

1/1 0 mm 20 mm 40 mm

METZENBAUM

14,5cm; 5 3/4"



010-110-14

010-111-14

1/1 0 mm 20 mm 40 mm

Präparierscheren  
Dissecting Scissors



Art.Nr.	Beschreibung   Description	Size	Spez.
---------	----------------------------	------	-------

METZENBAUM-NELSON



010

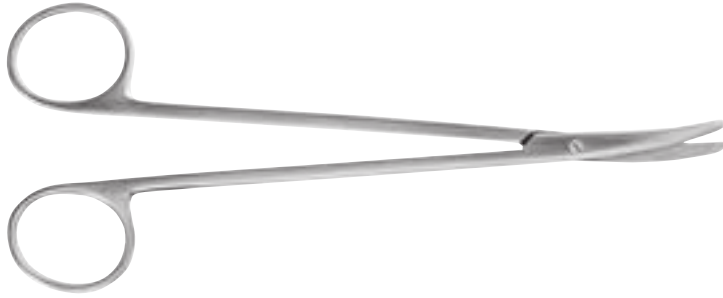
010-110-18		18,0cm; 7"
010-111-18		18,0cm; 7"
010-110-20		20,0cm; 8"
010-111-20		20,0cm; 8"
010-110-23		23,0cm; 9"
010-111-23		23,0cm; 9"

1/1 0 mm 20 mm 40 mm 60 mm



Art.Nr. Beschreibung | Description Size Spez.

METZENBAUM-NELSON



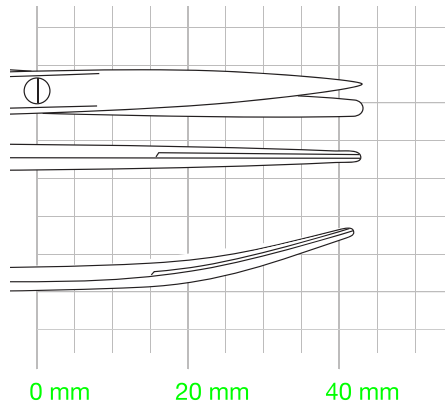
Art.Nr.	Beschreibung   Description	Size	Spez.
010-110-25		26,0cm; 10 1/4"	
010-111-25		26,0cm; 10 1/4"	
010-110-28		28,5cm; 11 1/4"	
010-111-28		28,5cm; 11 1/4"	
010-110-30		31,0cm; 12 1/4"	
010-111-30		31,0cm; 12 1/4"	

1/1 0 mm 20 mm 40 mm 60 mm 80 mm

Präparierscheren  
Dissecting Scissors



Art.Nr.	Beschreibung   Description	Size	Spez.
	METZENBAUM	14,5cm; 5 3/4"	



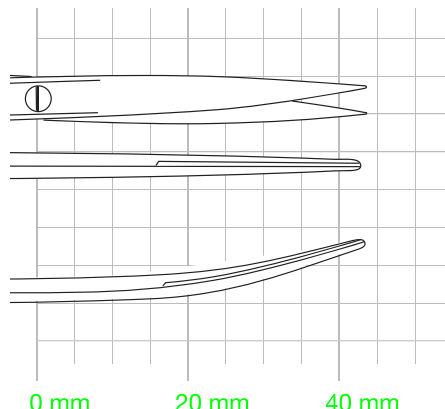
010-112-14

010-113-14

1/1 0 mm 20 mm 40 mm

METZENBAUM

14,5cm; 5 3/4"



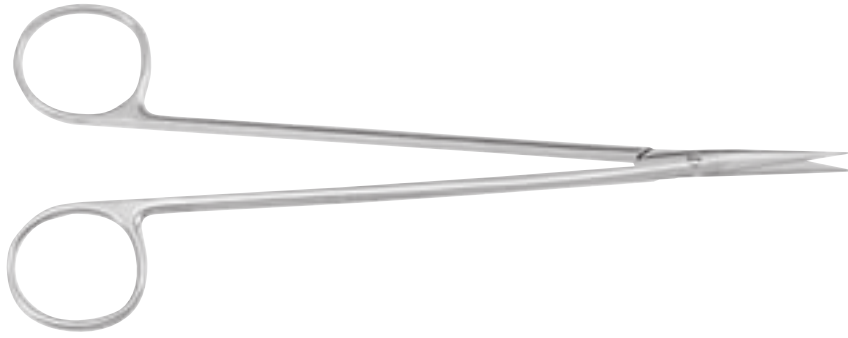
010-114-14

010-115-14

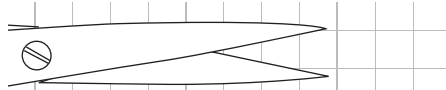
1/1 0 mm 20 mm 40 mm

Art.Nr.	Beschreibung   Description	Size	Spez.
---------	----------------------------	------	-------

**METZENBAUM-NELSON**

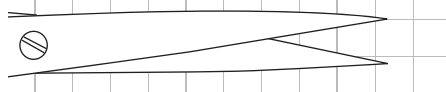


010-114-18



18,0cm; 7"

010-114-20



20,0cm; 8"

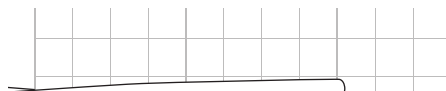
1/1 0 mm 20 mm 40 mm

**METZENBAUM**

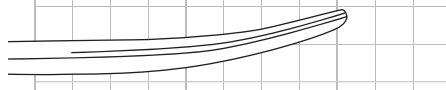
15,5cm; 6 1/8"



010-110-15



010-111-15



1/1 0 mm 20 mm 40 mm

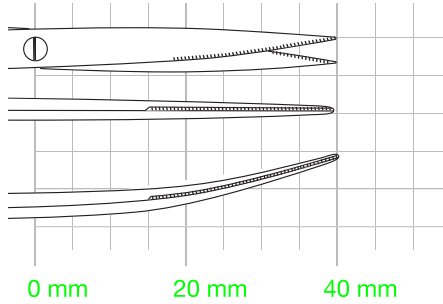
Präparierscheren  
Dissecting Scissors



Art.Nr. Beschreibung | Description Size Spez.

**METZENBAUM**

14,5cm; 5 3/4"

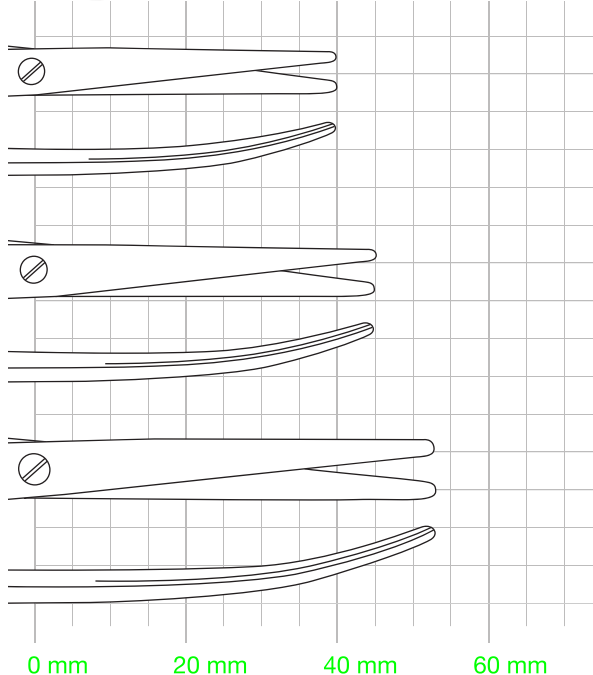
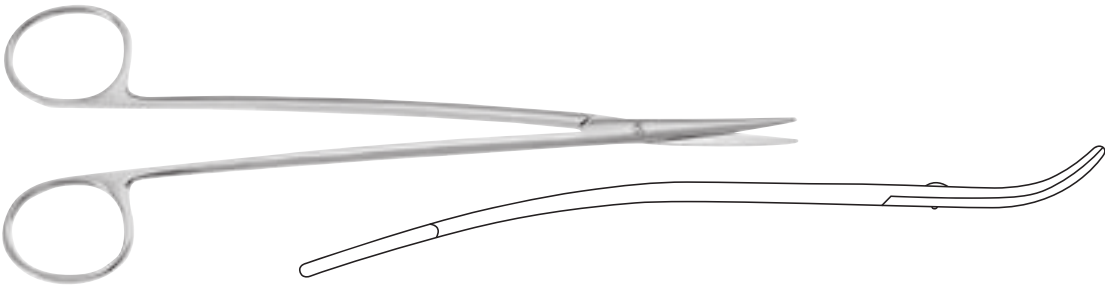


010-116-14

010-117-14

1/1 0 mm 20 mm 40 mm

**METZENBAUM-FINO S**



010-127-18

010-127-20

010-127-23

18,0cm; 7"

20,5cm; 8"

23,0cm; 9"

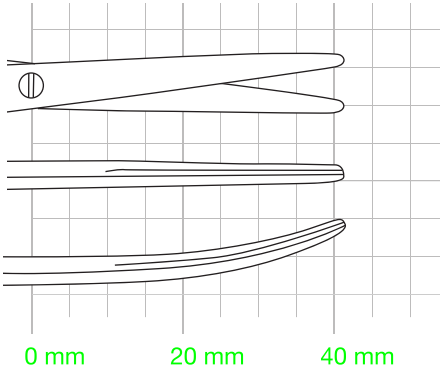
1/1 0 mm 20 mm 40 mm 60 mm

010

Art.Nr.	Beschreibung   Description	Size	Spez.
---------	----------------------------	------	-------

METZENBAUM-FINO

14,5cm; 5 3/4"



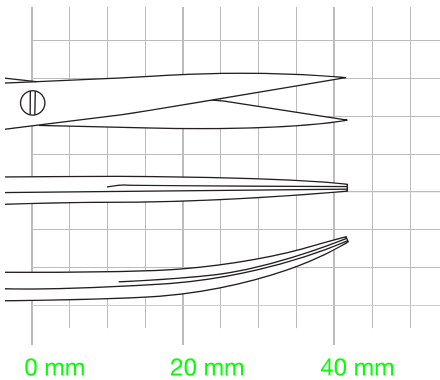
010-120-14

010-121-14

1/1 0 mm 20 mm 40 mm

METZENBAUM-FINO

14,5cm; 5 3/4"



010-124-14

010-125-14

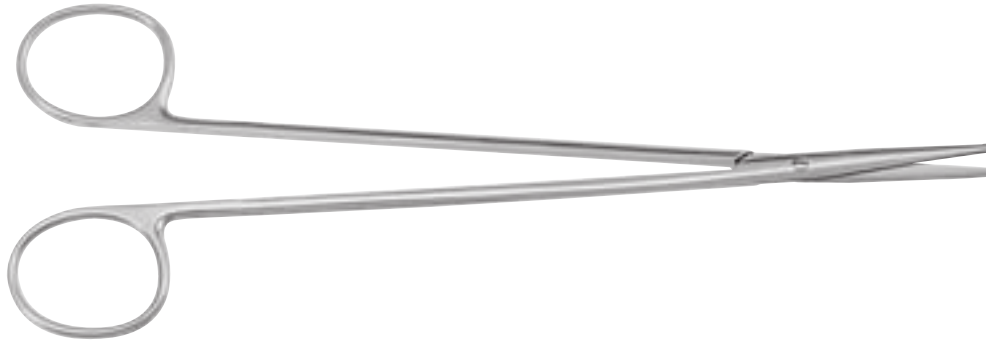
1/1 0 mm 20 mm 40 mm

Präparierscheren  
Dissecting Scissors

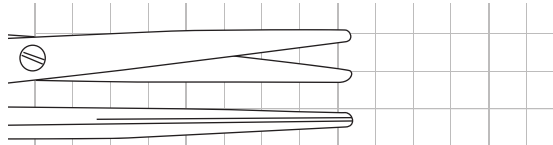


Art.Nr. Beschreibung | Description Size Spez.

METZENBAUM-FINO



010-120-18



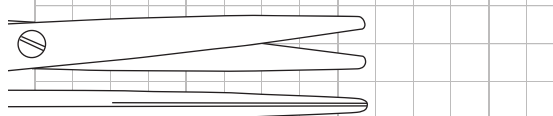
18,0cm; 7"

010-121-18



18,0cm; 7"

010-120-20



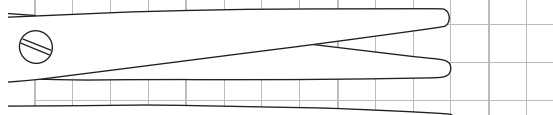
20,5cm; 8"

010-121-20



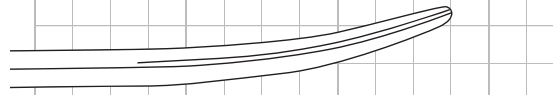
20,5cm; 8"

010-120-23



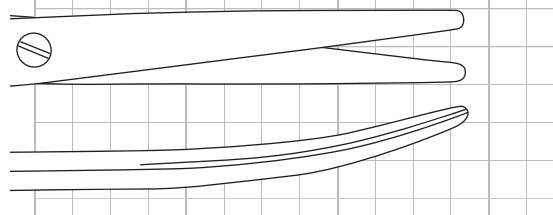
23,0cm; 9"

010-121-23



23,0cm; 9"

010-121-25



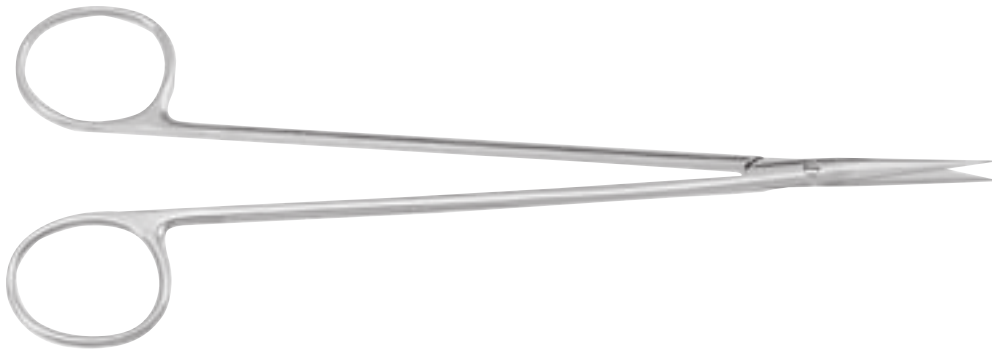
25,0cm; 9 3/4"

1/1 0 mm 20 mm 40 mm 60 mm

010

Art.Nr. Beschreibung | Description Size Spez.

METZENBAUM-FINO



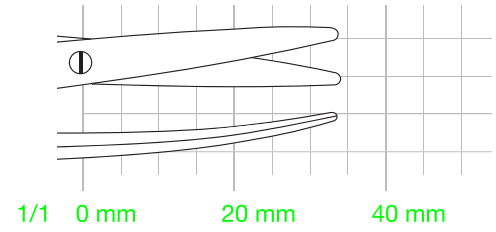
010-124-18		18,0cm; 7"
010-125-18		18,0cm; 7"
010-124-20		20,5cm; 8"
010-125-20		20,5cm; 8"
010-124-23		23,0cm; 9"
010-125-23		23,0cm; 9"

1/1 0 mm 20 mm 40 mm 60 mm

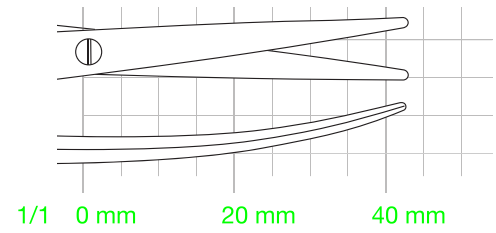
Präparierscheren  
Dissecting Scissors



Art.Nr.	Beschreibung   Description	Size	Spez.
010-137-14	METZENBAUM-LAHEY	14,0cm; 5 1/2"	



010-139-17	TOENNIS-ADSON	17,0cm; 6 3/4"	
------------	---------------	----------------	--



010



Präparierscheren  
Dissecting Scissors

Art.Nr.	Beschreibung   Description	Size	Spez.
---------	----------------------------	------	-------

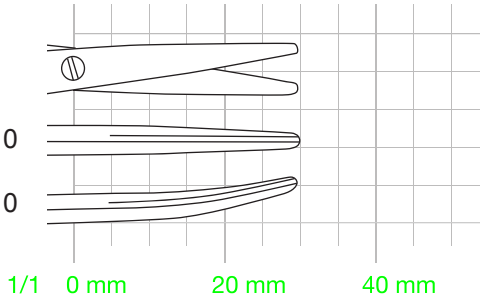
BABY-LEXER

10,0cm; 4"



010-140-10

010-141-10



1/1 0 mm 20 mm 40 mm

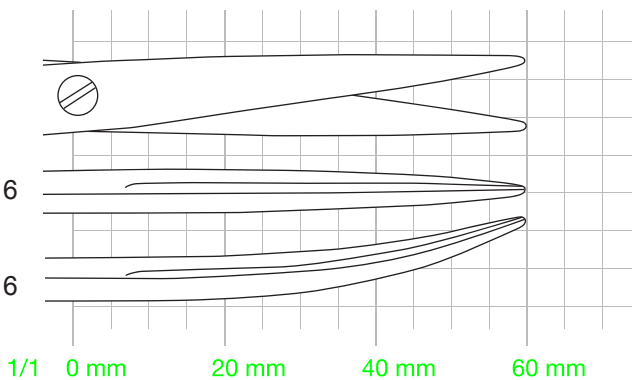
LEXER-FINO

16,5cm; 6 1/2"



010-142-16

010-143-16



1/1 0 mm 20 mm 40 mm 60 mm

010

Präparierscheren  
Dissecting Scissors



Art.Nr.	Beschreibung   Description	Size	Spez.
---------	----------------------------	------	-------

LEXER



010-140-16

16,0cm; 6 1/4"

010-141-16

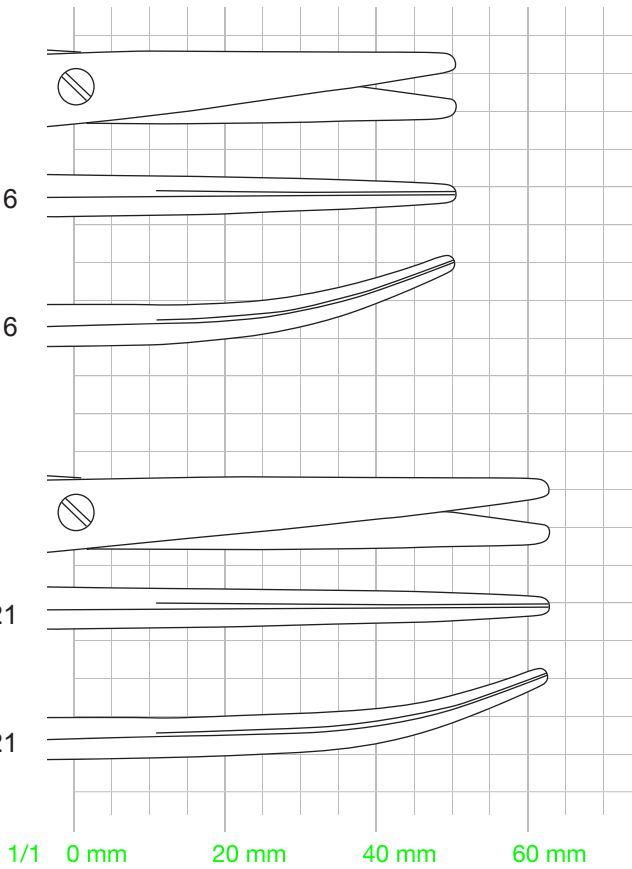
16,0cm; 6 1/4"

010-140-21

21,0cm; 8 1/4"

010-141-21

21,0cm; 8 1/4"



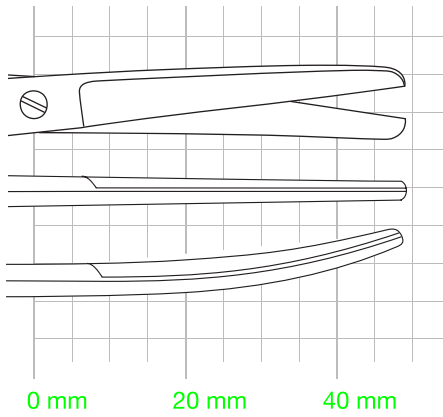
010

Präparierscheren  
Dissecting Scissors

Art.Nr.	Beschreibung   Description	Size	Spez.
---------	----------------------------	------	-------

MIXTER

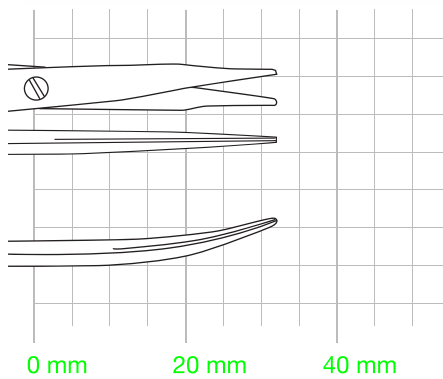
17,0cm; 6 3/4"



010-160-17

010-161-17

11,5cm; 4 1/2"



010-204-11

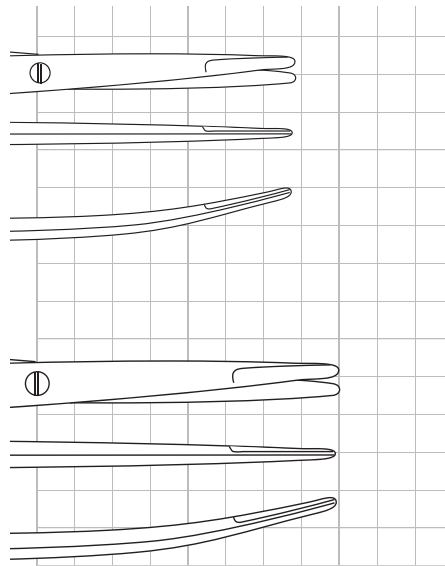
010-205-11

Präparierscheren  
Dissecting Scissors



Art.Nr.	Beschreibung   Description	Size	Spez.
---------	----------------------------	------	-------

KILNER (RAGNELL)



010-200-12

12,0cm; 4 3/4"

010-201-12

12,0cm; 4 3/4"

010-200-15

15,0cm; 6"

010-201-15

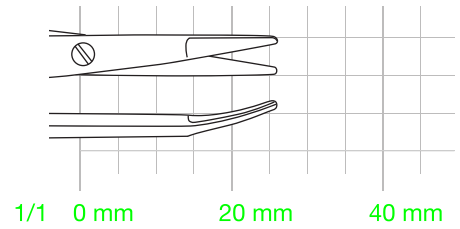
15,0cm; 6"

1/1 0 mm 20 mm 40 mm

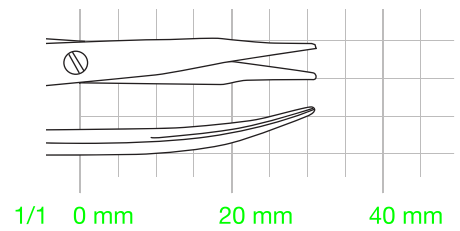
010

Präparierscheren  
Dissecting Scissors

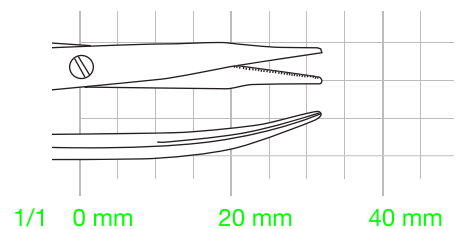
Art.Nr.	Beschreibung   Description	Size	Spez.
010-203-12	SHEA VEIN GRAFT	12,0cm; 4 3/4"	



010-214-14	JAMESON	15,5cm; 6"	
------------	---------	------------	--



010-215-14	JAMESON	15,5cm; 6"	
------------	---------	------------	--



Präparierscheren  
Dissecting Scissors



Art.Nr.	Beschreibung   Description	Size	Spez.
---------	----------------------------	------	-------

REYNOLDS

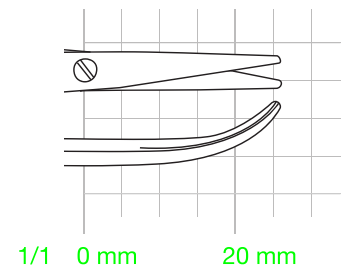


010

010-210-15		15,0cm; 6"
010-211-15		15,0cm; 6"
010-211-18		18,0cm; 7"

1/1 0 mm 20 mm 40 mm

010-212-11	CINELLI	11,5cm; 4 1/2"
------------	---------	----------------



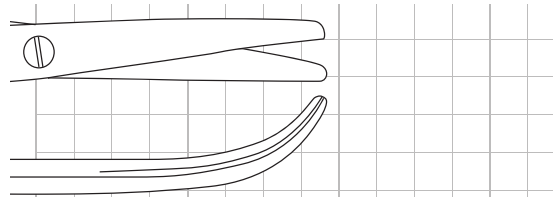
Präparierscheren  
Dissecting Scissors

Art.Nr. Beschreibung | Description Size Spez.

THOREK

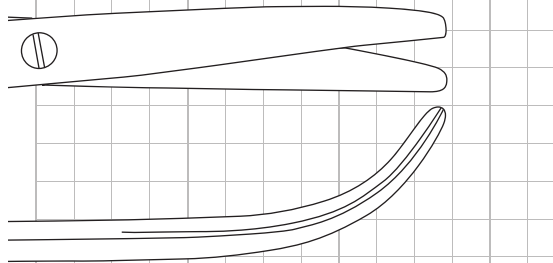


010-217-19



19,0cm; 7 1/2"

010-217-25



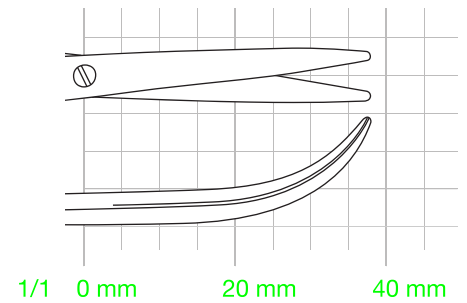
25,0cm; 10"

1/1 0 mm 20 mm 40 mm 60 mm

010-219-13

FOMON

13,5cm; 5 1/4"



1/1 0 mm 20 mm 40 mm

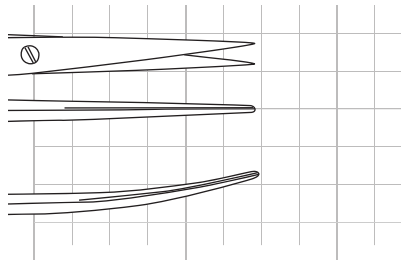
Präparierscheren  
Dissecting Scissors



Art.Nr.	Beschreibung   Description	Size	Spez.
	Nerv-Präparierscheren   Nerve dissecting scissors	15,0cm ; 6"	



010-220-15



010-221-15

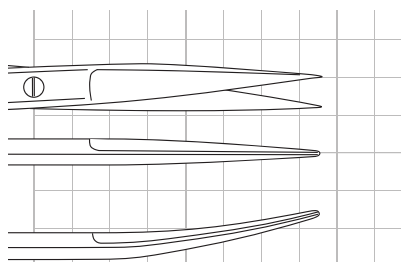
1/1 0 mm 20 mm 40 mm

SANVENERO

14,0cm ; 5 1/2"



010-224-14



010-225-14

1/1 0 mm 20 mm 40 mm

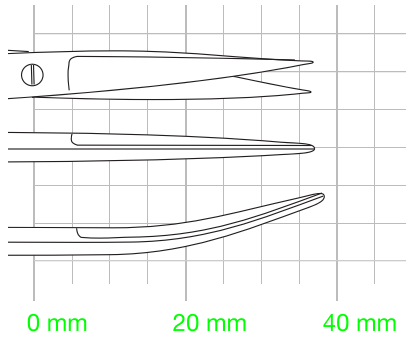
010



Art.Nr.	Beschreibung   Description	Size	Spez.
---------	----------------------------	------	-------

JOSEPH

14,0cm; 5 1/2"



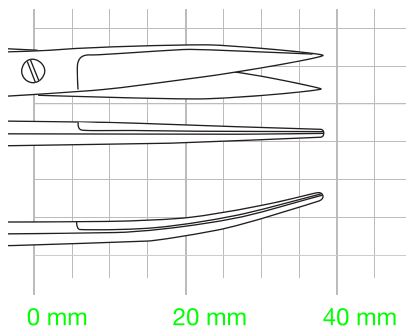
010-228-14

010-229-14

1/1 0 mm 20 mm 40 mm

WAGNER

12,0cm; 4 3/4"



010-264-12

010-265-12

1/1 0 mm 20 mm 40 mm

Chirurgische Scheren  
Operating Scissors



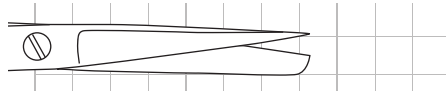
Art.Nr.	Beschreibung   Description	Size	Spez.
---------	----------------------------	------	-------

12,0cm; 4 3/4"



010

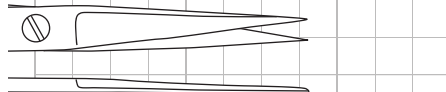
010-232-12



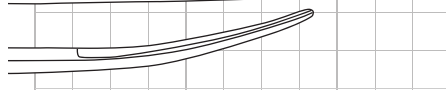
010-233-12



010-234-12



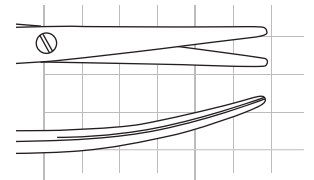
010-235-12



1/1 0 mm 20 mm 40 mm

010-239-11	E nukleationsschere   Enucleation scissors	11,5cm; 4 1/2"	
------------	--	----------------	--

11,5cm; 4 1/2"



1/1 0 mm 20 mm

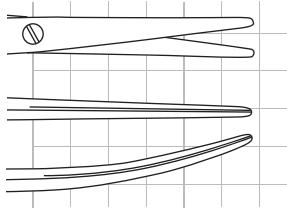
Art.Nr.	Beschreibung   Description	Size	Spez.
---------	----------------------------	------	-------

STRABISMUS

11,5cm; 4 1/2"



010-240-11



010-241-11

1/1 0 mm 20 mm

IRIS

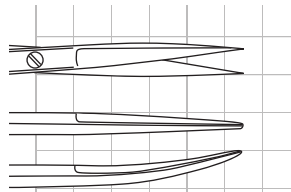


010-244-09

9,0cm; 3 1/2"

010-245-09

9,0cm; 3 1/2"

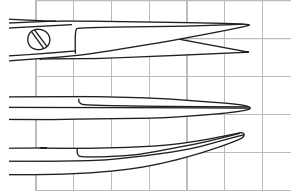


010-244-10

10,5cm; 4 1/8"

010-245-10

10,5cm; 4 1/8"

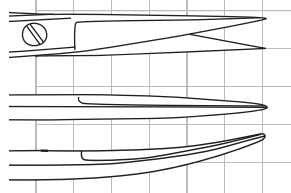


010-244-11

11,5cm; 4 1/2"

010-245-11

11,5cm; 4 1/2"



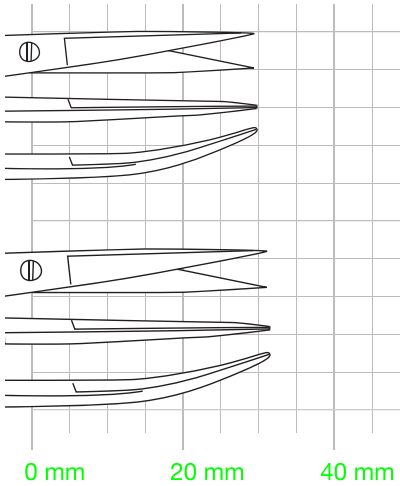
1/1 0 mm 20 mm

Irisscheren  
Iris Scissors



Art.Nr. Beschreibung | Description Size Spez.

IRIS  
fein | delicate



010-250-10

10,5cm; 4 1/8"

010-251-10

10,5cm; 4 1/8"

010-250-11

11,5cm; 4 1/2"

010-251-11

11,5cm; 4 1/2"

1/1 0 mm 20 mm 40 mm

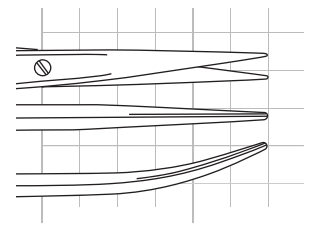
fein | delicate

11,5cm; 4 1/2"

010-274-11



010-275-11

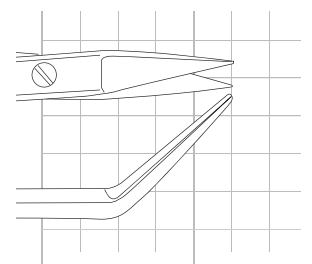


1/1 0 mm 20 mm

010-255-10


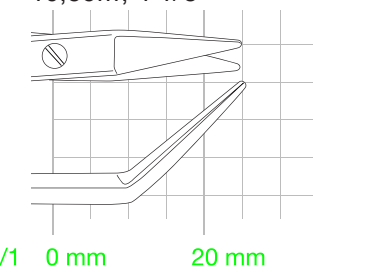
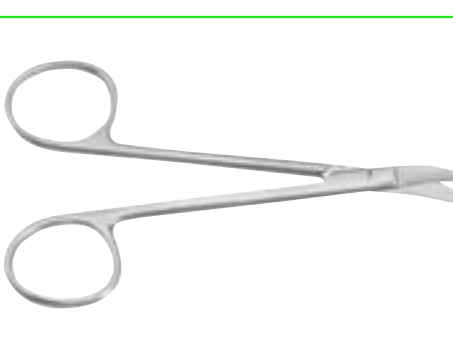
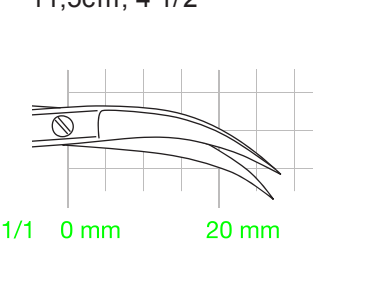

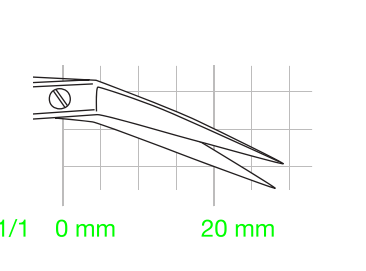
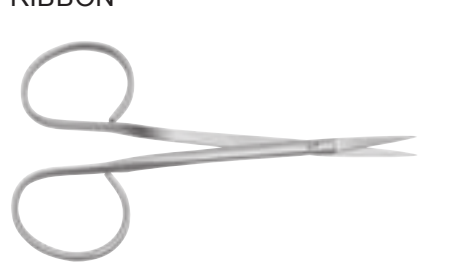
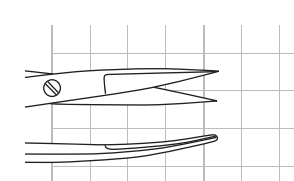
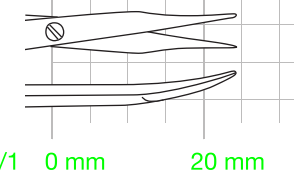
WILMER

10,5cm; 4 1/8"



1/1 0 mm 20 mm

Irisscheren  
Iris Scissors

Art.Nr.	Beschreibung   Description	Size	Spez.
010-253-10	<p data-bbox="264 448 383 492">GRAEFE</p> 	<p data-bbox="1133 448 1404 492">10,5cm; 4 1/8"</p>  <p data-bbox="1133 716 1404 761">1/1 0 mm 20 mm</p>	
010-261-11		<p data-bbox="1133 761 1404 806">11,5cm; 4 1/2"</p>  <p data-bbox="1133 1008 1404 1052">1/1 0 mm 20 mm</p>	
010-263-11		<p data-bbox="1133 1097 1404 1142">11,5cm; 4 1/2"</p>  <p data-bbox="1133 1344 1404 1388">1/1 0 mm 20 mm</p>	
	<p data-bbox="264 1411 383 1456">RIBBON</p> 		
010-266-01	 <p data-bbox="558 1792 718 1836">10,0cm; 4"</p>		
010-268-03	 <p data-bbox="558 1926 718 1971">9,5cm; 3 3/4"</p> <p data-bbox="264 2038 558 2078">1/1 0 mm 20 mm</p>		

010

Irisscheren  
Iris Scissors



Art.Nr.	Beschreibung   Description	Size	Spez.
---------	----------------------------	------	-------

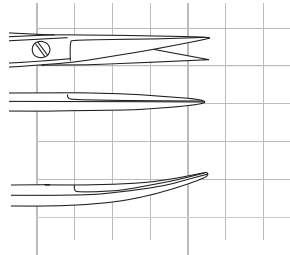
BONN

9,0cm; 3 1/2"

sehr fein | very delicate



010-270-08



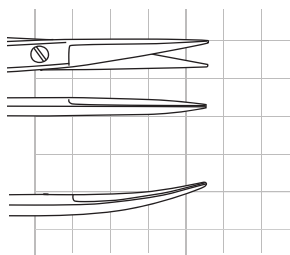
010-271-08

1/1 0 mm 20 mm

spitz | sharp



010-270-09



010-271-09

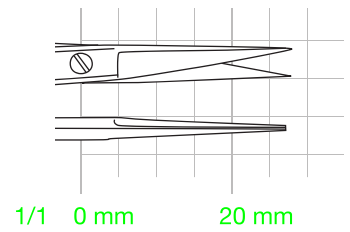
1/1 0 mm 20 mm

stumpf | blunt

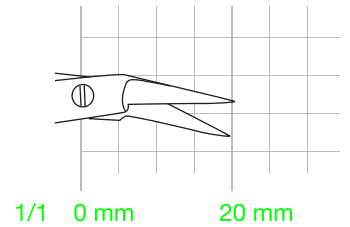
010

Irisscheren  
Iris Scissors

Art.Nr.	Beschreibung   Description	Size	Spez.
010-272-10	extra flache Blätter   extra flat blades	10,0cm; 4"	



010-273-09	O'BRIEN	9,5cm; 3 3/4"	
------------	---------	---------------	--



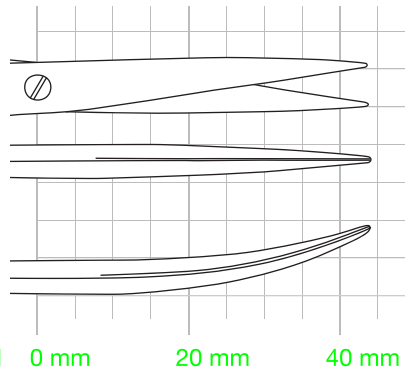
Length Conversions:

Multiply	By	To Obtain
Millimeters (mm)	0,1	Centimeters (cm)
Millimeters (mm)	0.03937	Inches (")
Centimeters (cm)	0.3937	Inches (")
Centimeters (cm)	10	Millimeters (mm)
Inches (")	25.4	Millimeters (mm)
Inches (")	2.540	Centimeters (cm)

Chirurgische Scheren  
Operating Scissors



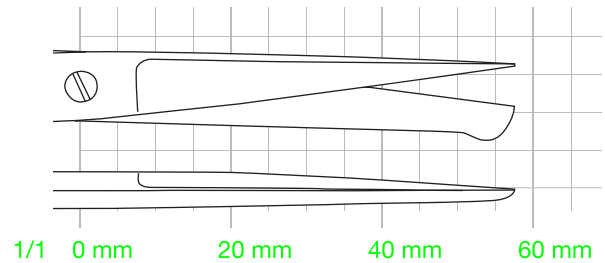
Art.Nr.	Beschreibung   Description	Size	Spez.
	BROPHY (SULLIVAN)	14,0cm; 5 1/2"	



010-276-14

010-277-14

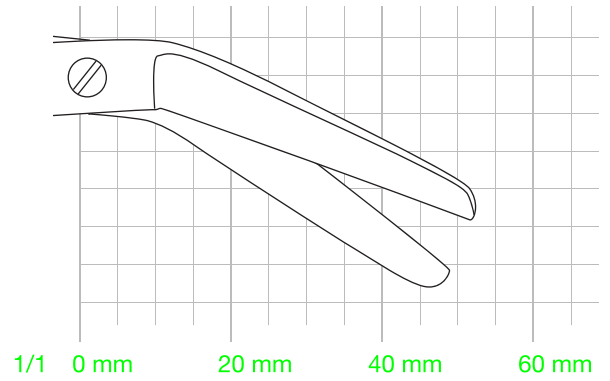
010-300-14	Inzisionsschere   Incision scissors	14,5cm; 5 3/4"	
------------	-------------------------------------	----------------	--





Chirurgische Scheren  
Operating Scissors

Art.Nr.	Beschreibung   Description	Size	Spez.
010-310-14	RICHTER	14,5cm; 5 3/4"	

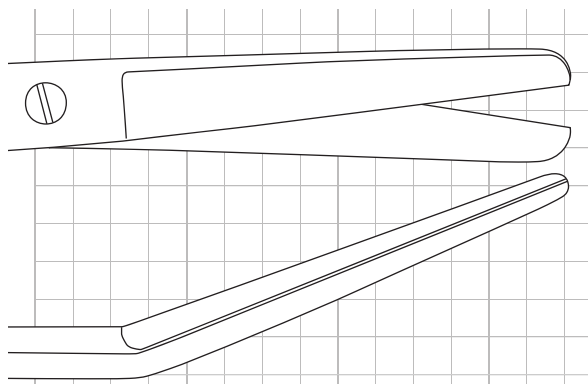


010

FERGUSSON



010-315-16



16,5cm; 6 1/2"

010-315-18

18,0cm; 7"

1/1 0 mm 20 mm 40 mm 60 mm

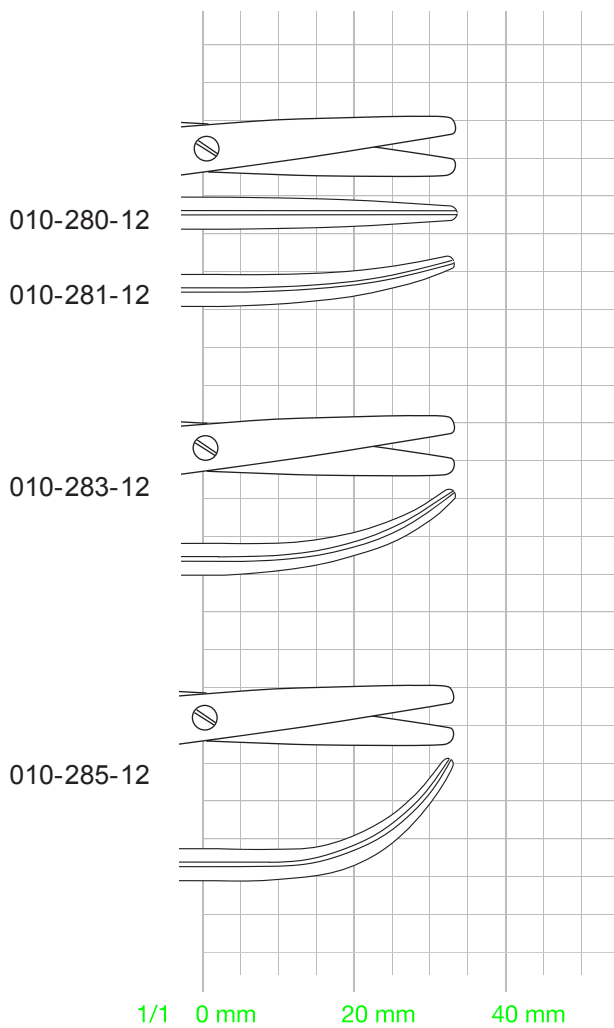
Chirurgische Scheren  
Operating Scissors



Art.Nr.	Beschreibung   Description	Size	Spez.
	LANDOLT	12,5cm; 5"	

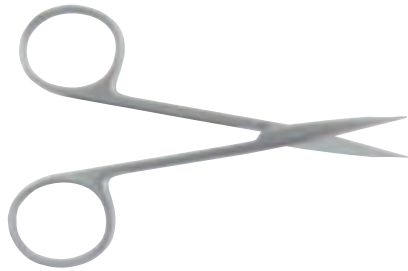


010



Art.Nr. Beschreibung | Description Size Spez.

STEVENS



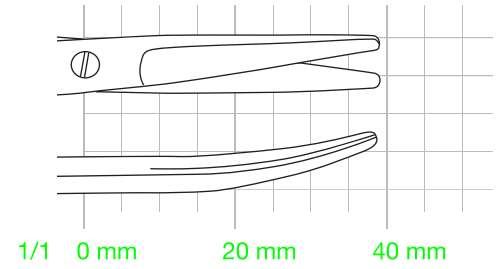
010-290-10		10,5cm; 4 1/8"
010-290-11		11,5cm; 4 1/2"
010-291-11		11,5cm; 4 1/2"
010-294-11		11,5cm; 4 1/2"
010-295-11		11,5cm; 4 1/2"

1/1 0 mm 20 mm

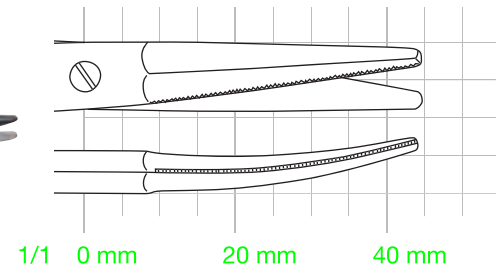
Präparierscheren; Face-lift Scheren  
Dissecting Scissors; Face-lift Scissors



Art.Nr.	Beschreibung   Description	Size	Spez.
010-325-18	TOENNIS	18,0cm; 7"	



010-327-18	KAYE	18,5cm; 7 1/4"	
------------	------	----------------	---



010

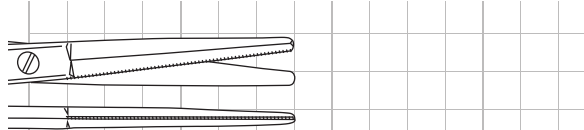
Präparierscheren; Face-lift Scheren  
 Dissecting Scissors; Face-lift Scissors

Art.Nr. Beschreibung | Description Size Spez.

GORNEY

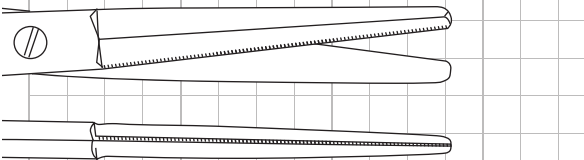


010-332-12



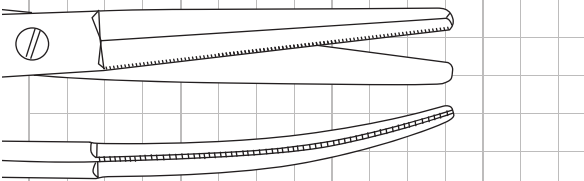
12,5cm; 5"

010-332-19



19,5cm; 7 3/4"

010-333-19




19,5cm; 7 3/4"

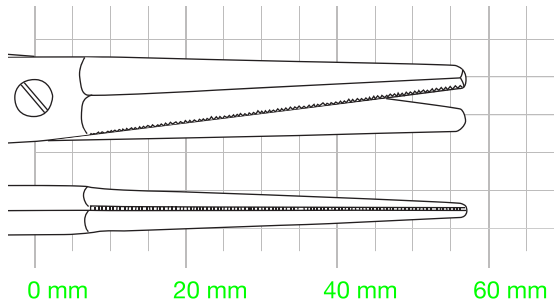
1/1 0 mm 20 mm 40 mm 60 mm

010

Präparierscheren; Face-lift Scheren  
 Dissecting Scissors; Face-lift Scissors

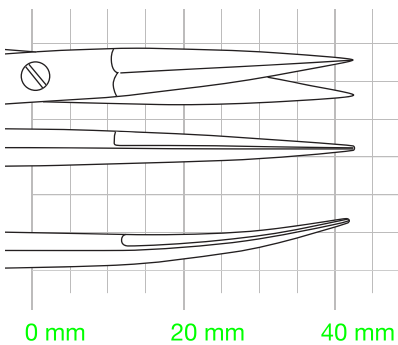


Art.Nr.	Beschreibung   Description	Size	Spez.
010-336-17	ASTON	17,0cm; 6 3/4"	



PECK-JOSEPH

14,5cm; 5 3/4"

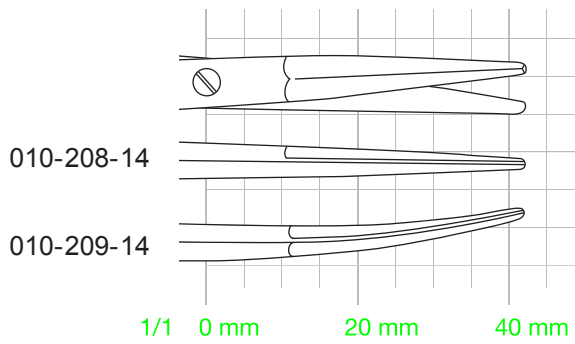


010-206-14

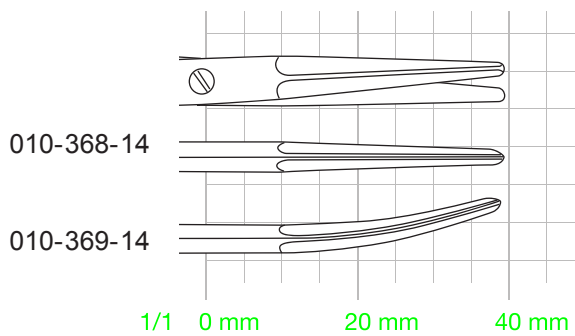
010-207-14

Präparierscheren; Face-lift Scheren  
 Dissecting Scissors; Face-lift Scissors

Art.Nr.	Beschreibung   Description	Size	Spez.
	PECK-JOSEPH	14,5cm; 5 3/4"	



14,5cm; 5 3/4"



010

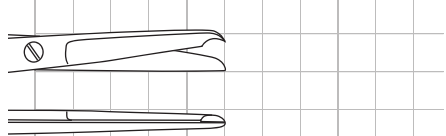
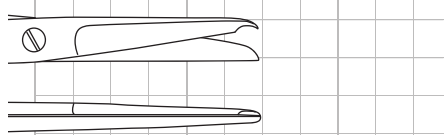
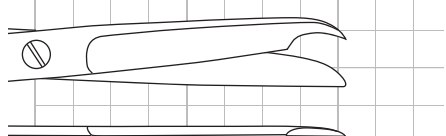
Ligaturscheren  
Ligature Scissors



Art.Nr.	Beschreibung   Description	Size	Spez.
---------	----------------------------	------	-------

SPENCER



010-400-09		9,0cm; 3 1/2"
010-400-10		10,5cm; 4 1/8"
010-400-13		13,0cm; 5"

1/1 0 mm 20 mm 40 mm

010

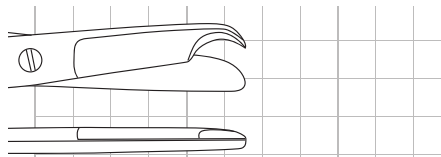


Art.Nr.	Beschreibung   Description	Size	Spez.
---------	----------------------------	------	-------

LITTAUER

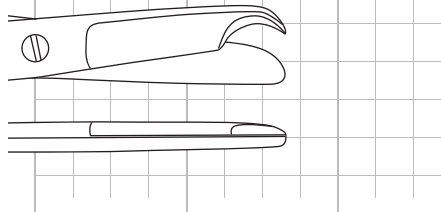


010-402-11



11,5cm; 4 1/2"

010-402-14



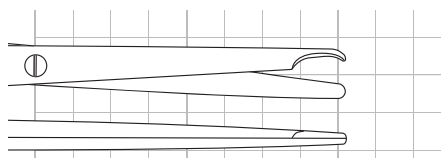
14,0cm; 5 1/2"

1/1 0 mm 20 mm 40 mm

BUCK

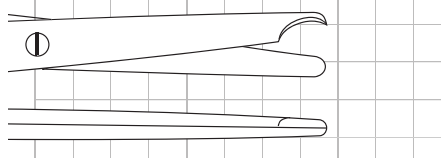


010-404-14



14,5cm; 5 3/4"

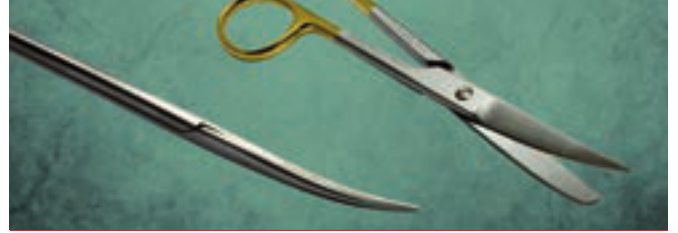
010-404-18



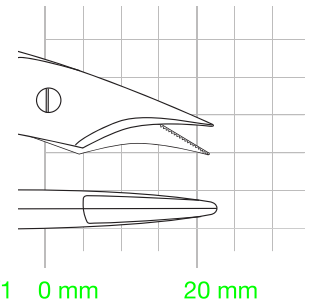
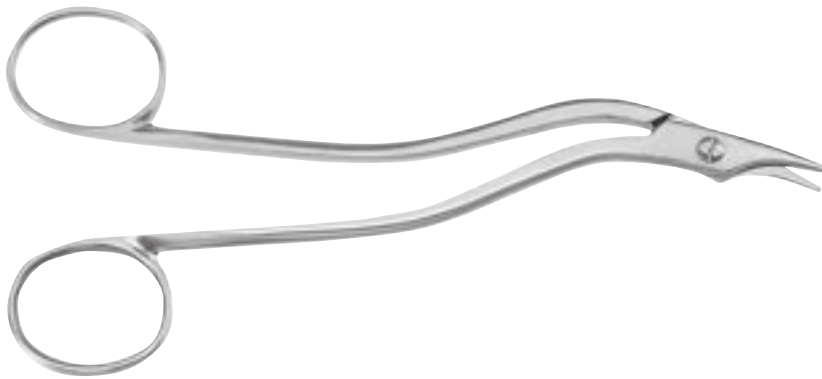
18,0cm; 7"

1/1 0 mm 20 mm 40 mm

Ligaturscheren  
Ligature Scissors



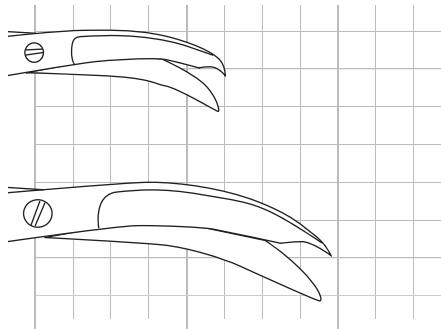
Art.Nr.	Beschreibung   Description	Size	Spez.
010-408-16	HEATH	16,0cm; 6 1/4"	



NORTHBENT

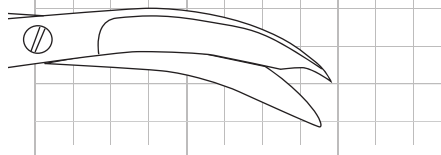


010-411-09



9,0cm; 3 1/2"

010-413-13



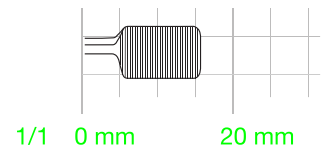
13,0cm; 5"

1/1 0 mm 20 mm 40 mm

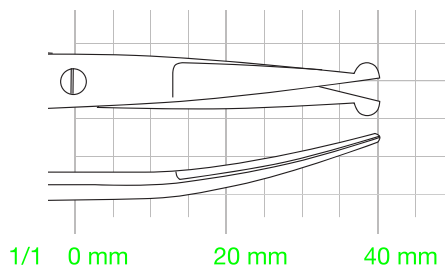
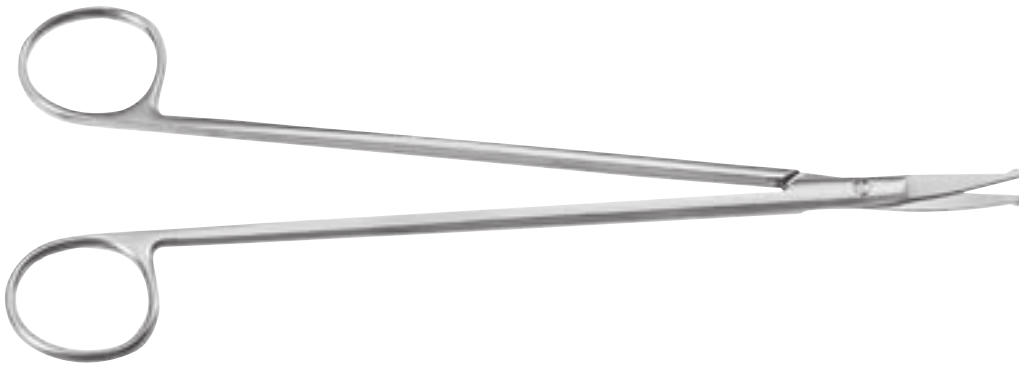
010

Ligaturscheren; Scheren für Neurochirurgie  
Ligature Scissors; Neurosurgical Scissors

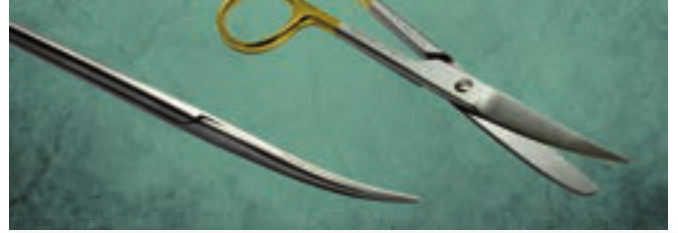
Art.Nr.	Beschreibung   Description	Size	Spez.
010-415-12	EISELSBERG	12,0cm; 4 3/4"	



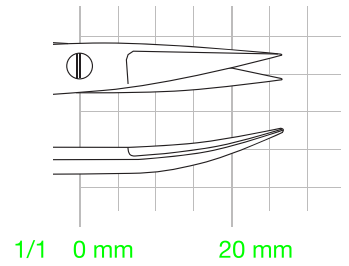
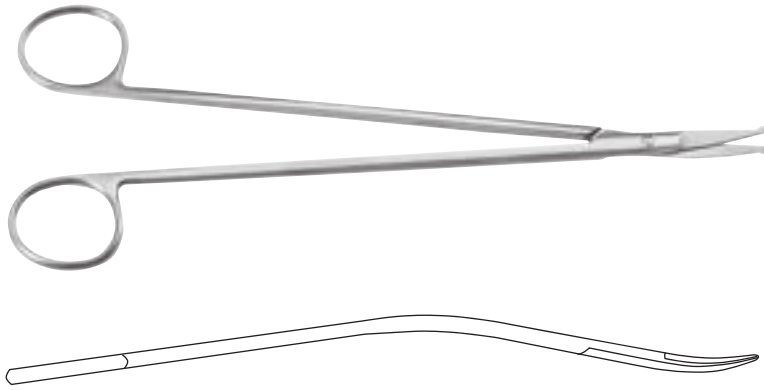
010-450-22	STRULLY	22,0cm; 8 3/4"	
------------	---------	----------------	--



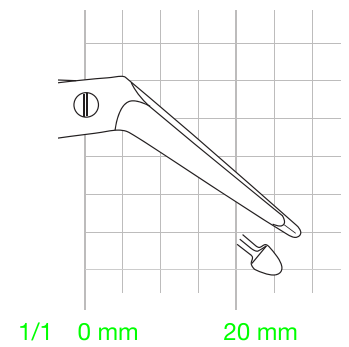
Scheren für Neurochirurgie  
Neurosurgical Scissors



Art.Nr.	Beschreibung   Description	Size	Spez.
010-453-17	DANDY	17,0cm; 6 3/4"	



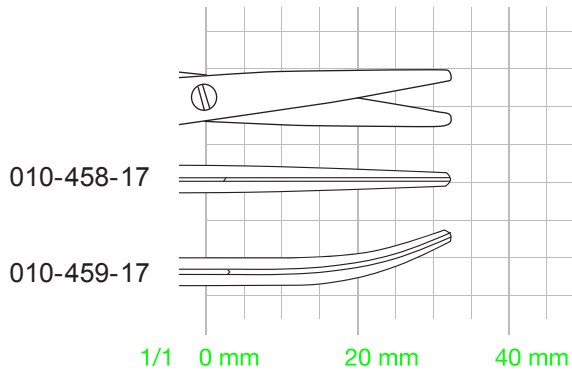
010-457-17	SCHMIEDEN-TAYLOR	17,0cm; 6 3/4"	
------------	------------------	----------------	--



010

Scheren für Neurochirurgie  
Neurosurgical Scissors

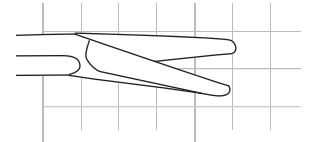
Art.Nr.	Beschreibung   Description	Size	Spez.
	LINCOLN	17,0cm; 6 3/4"	



Scheren für Neurochirurgie  
Neurosurgical Scissors



Art.Nr.	Beschreibung   Description	Size	Spez.
010-469-23	OLIVECRONA Trigemini-Schere (auch für Nase) Arbeitslänge: 140 mm; 5 1/2"	23,0cm; 9"	
	Trigeminal Scissors (also nasal) working length: 140 mm; 5 1/2"		



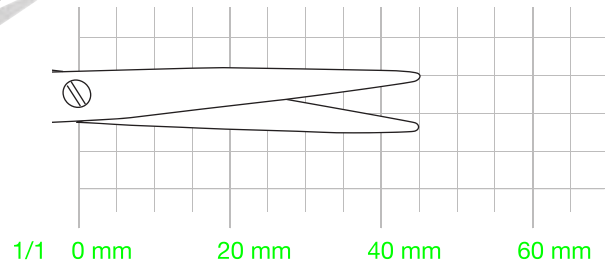
1/1 0 mm 20 mm



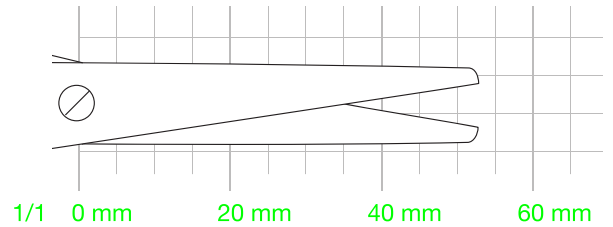
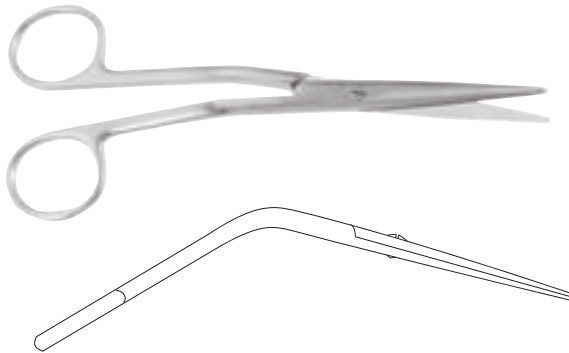
010

Nasenscheren  
Nasal Scissors

Art.Nr.	Beschreibung   Description	Size	Spez.
010-501-18	HEYMANN	18,0cm; 7"	



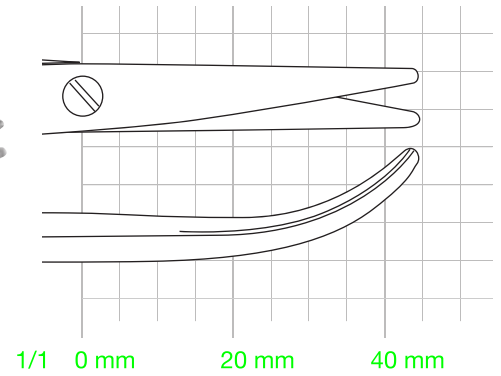
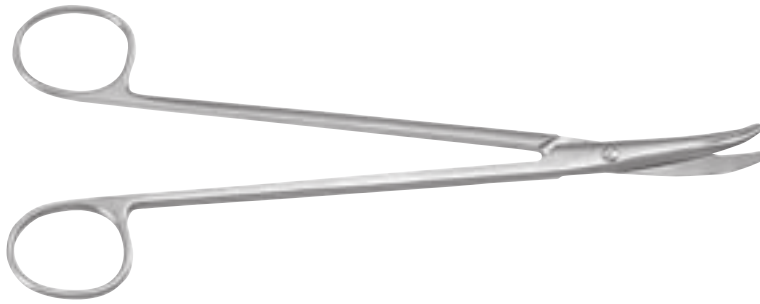
010-511-16	COTTLE	16,0cm; 6 1/4"	
------------	--------	----------------	--



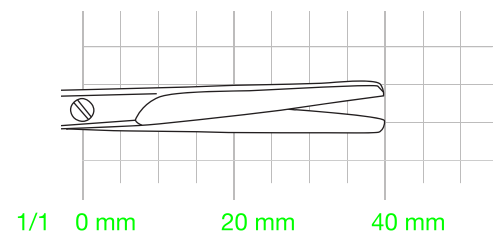
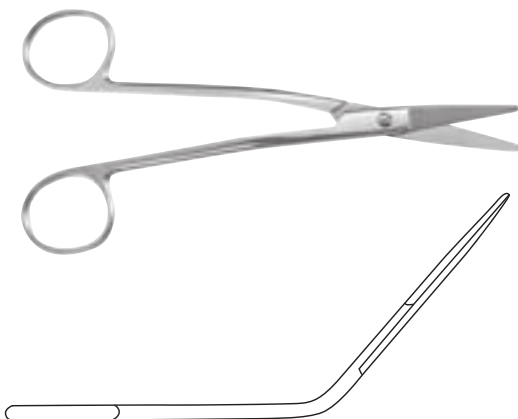
Nasenscheren  
Nasal Scissors



Art.Nr.	Beschreibung   Description	Size	Spez.
010-341-19	HALLE	19,0cm; 7 1/2"	




010-343-15	FOMON	14,0cm; 5 1/2"	
------------	-------	----------------	--



010

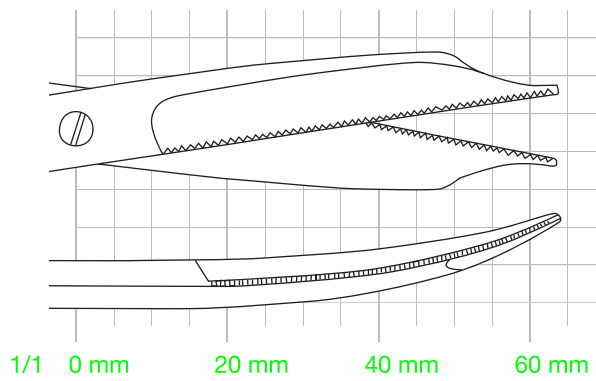


Nasenscheren  
Nasal Scissors

Art.Nr.	Beschreibung   Description	Size	Spez.
010-519-22	CAPLAN	20,0cm; 8"	




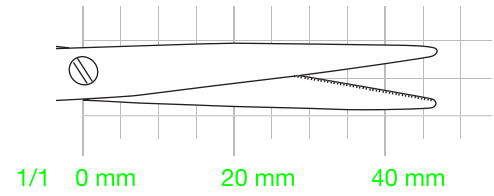
010-528-20	CARTILAGE Tonsillenscherer Tonsil Scissors	20,0cm; 8"	
------------	--	------------	---



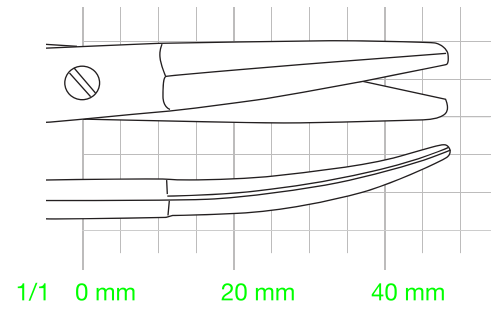
Tonsillenscheren  
Tonsil Scissors



Art.Nr.	Beschreibung   Description	Size	Spez.
010-517-18	KIRSTEIN	18,0cm; 7"	



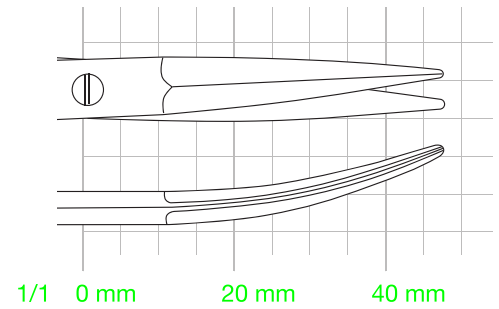
010-521-18	BOETTCHER	18,0cm; 7"	
------------	-----------	------------	--



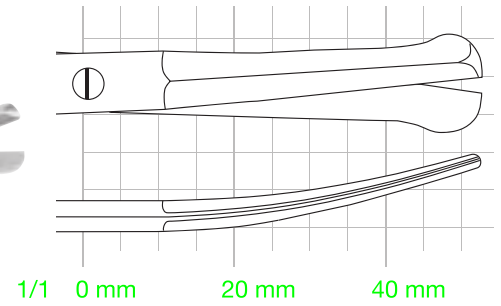
010

Tonsillenscheren  
Tonsil Scissors

Art.Nr.	Beschreibung   Description	Size	Spez.
010-523-17	PRINCE	17,5cm; 7"	



010-525-19	GOOD	19,0cm; 7 1/2"	
------------	------	----------------	--



Gefäßscheren  
Vascular Scissors



Art.Nr. Beschreibung | Description Size Spez.

DE BAKEY



17,0cm; 6 3/4"

23,0cm; 9"

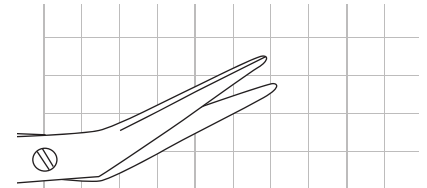
28,0cm; 11"

25°

010-540-25

010-543-25

010-544-25

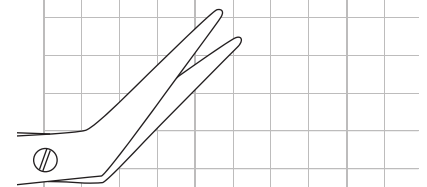


45°

010-540-45

010-543-45

010-544-45

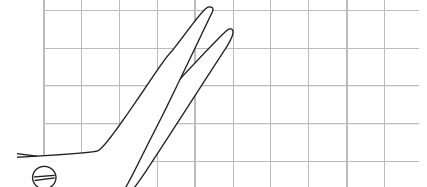


60°

010-540-60

010-543-60

010-544-60

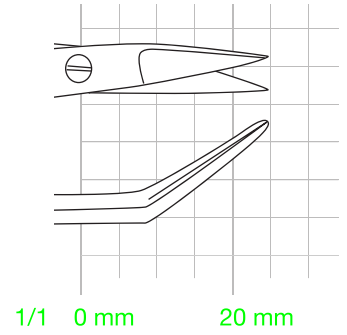


1/1 0 mm 20 mm 40 mm

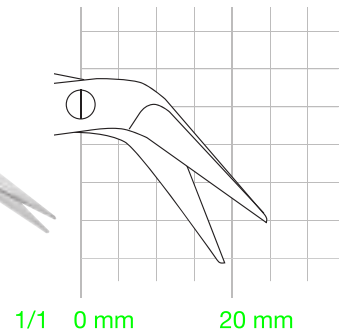
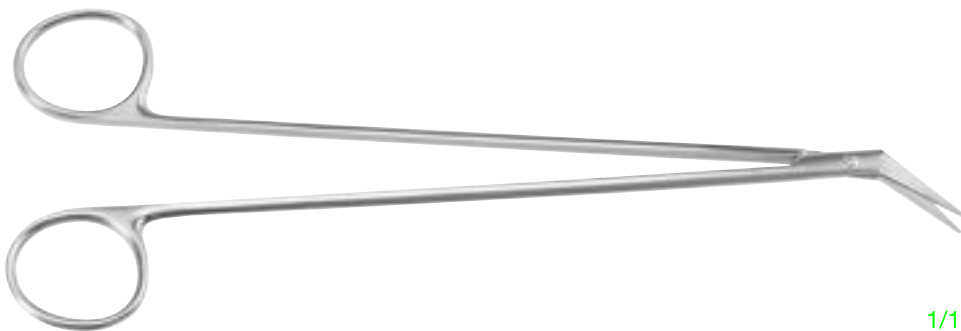
010

Gefäßscheren  
Vascular Scissors

Art.Nr.	Beschreibung   Description	Size	Spez.
010-547-18	POTTS-SMITH	18,0cm; 7"	



010-548-24	POTTS-DE MARTEL	24,0cm; 9 1/2"	
------------	-----------------	----------------	--



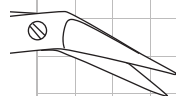
Gefäßscheren  
Vascular Scissors



Art.Nr.	Beschreibung   Description	Size	Spez.
	DIETHRICH	19,0cm; 7 1/2"	

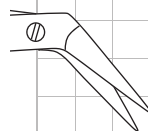


010-550-25



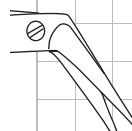
25°

010-550-45



45°

010-550-60



60°

010-550-90



90°

010-550-12

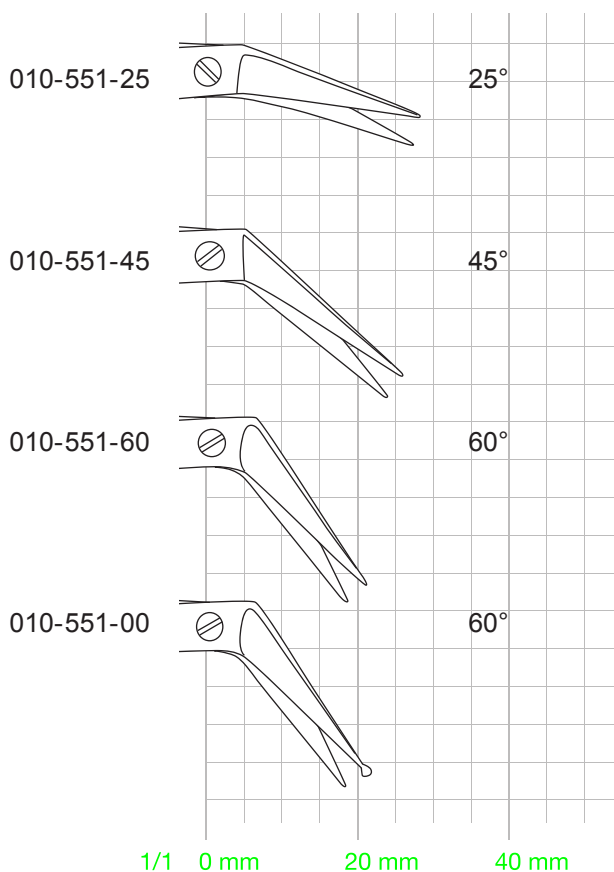


120°

1/1 0 mm 20 mm

010

Art.Nr.	Beschreibung   Description	Size	Spez.
	POTTS-SMITH	19,0cm; 7 1/2"	

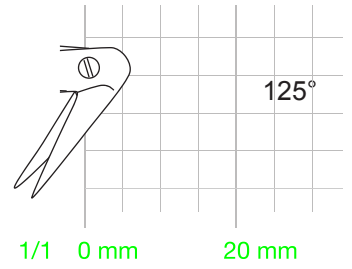
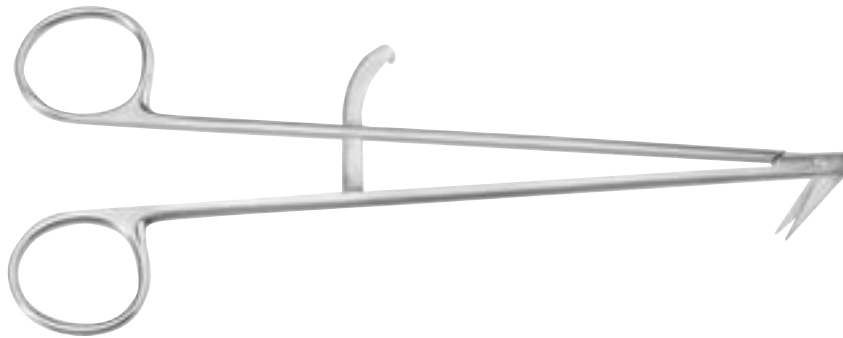


1 Blatt geknüpft  
1 probe-pointed blade

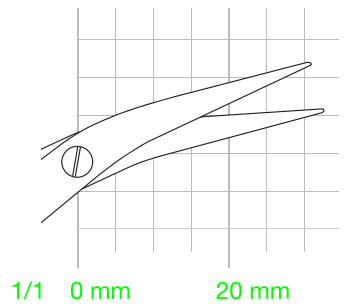
Gefäßscheren  
Vascular Scissors



Art.Nr.	Beschreibung   Description	Size	Spez.
010-552-12	DIETRICH mit Führung   with guiding	19,0cm; 7 1/2"	



010-560-15	DE BAKEY	15,5cm; 6"	
------------	----------	------------	--

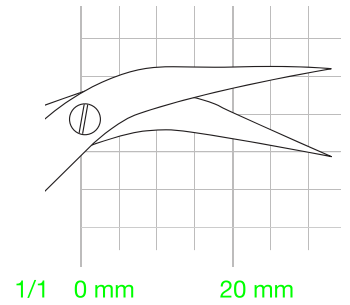
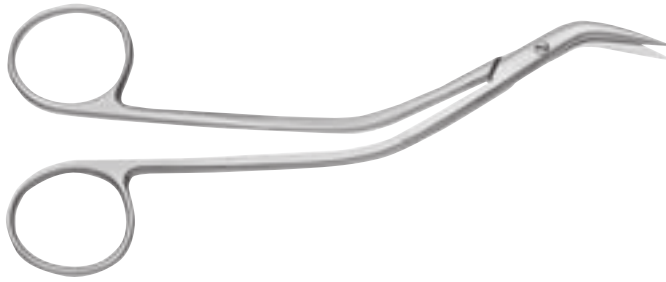


010

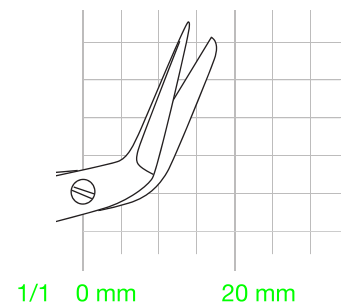
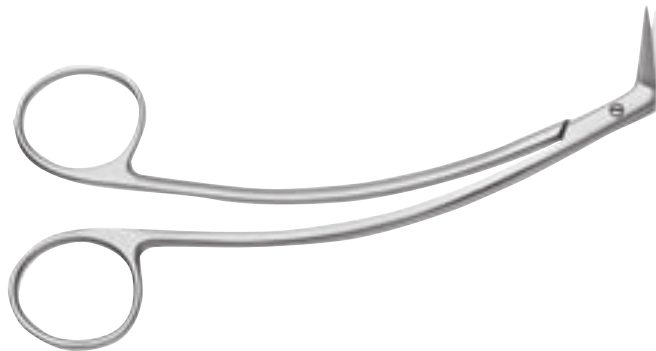


Gefäßscheren  
Vascular Scissors

Art.Nr.	Beschreibung   Description	Size	Spez.
010-561-15	DE BAKEY	15,5cm; 6"	



010-562-15	FAVALORO	15,5cm; 6"	
------------	----------	------------	--

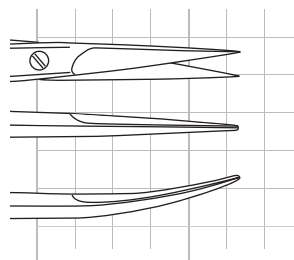


Gefäßscheren  
Vascular Scissors



Art.Nr.	Beschreibung   Description	Size	Spez.
---------	----------------------------	------	-------

19,0cm; 7 1/2"



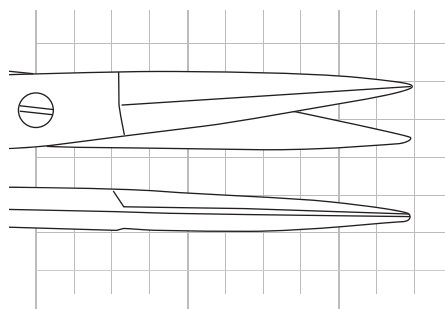
010-566-19

010-567-19

1/1 0 mm 20 mm

010-570-19	MC INDOE	19,0cm; 7 1/2"	
------------	----------	----------------	--

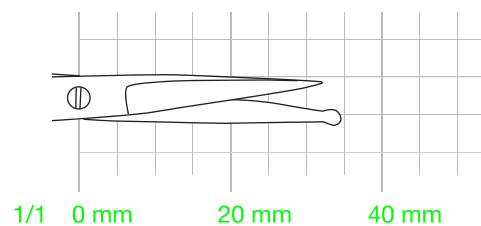
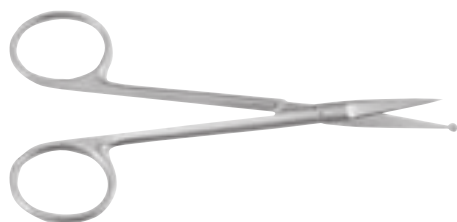
19,0cm; 7 1/2"



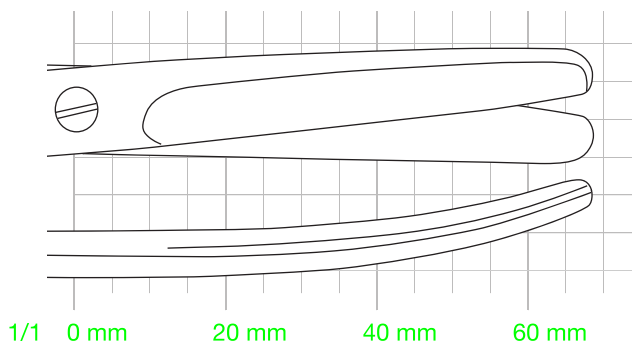
1/1 0 mm 20 mm 40 mm

Gefäßscheren  
Vascular Scissors

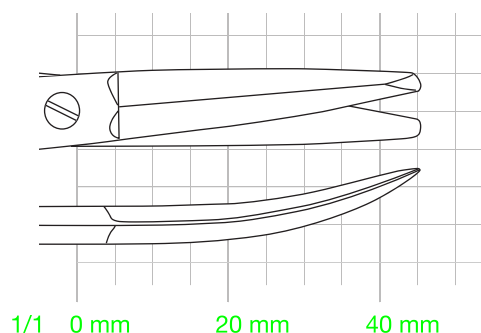
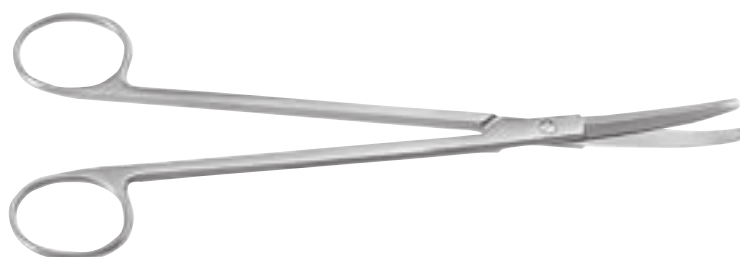
Art.Nr.	Beschreibung   Description	Size	Spez.
010-572-11	1 Blatt geknöpft   1 probe-pointed blade	11,5cm; 4 1/2"	



010-575-30	CRAFOORD	30,0cm; 12"	
------------	----------	-------------	--



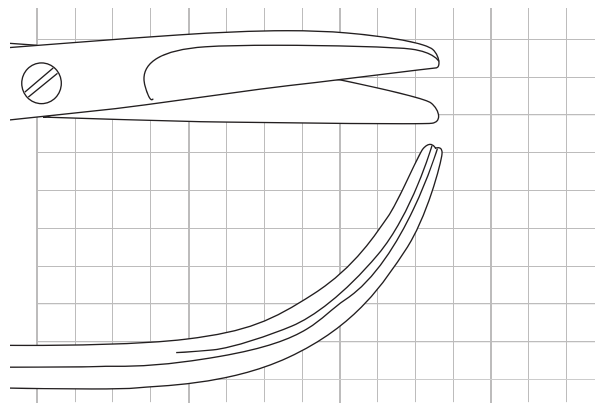
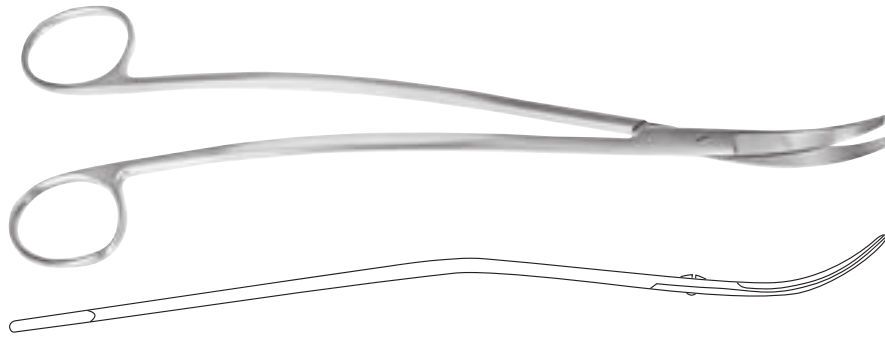
010-691-19	POTTS-SMITH	19,0cm; 7 1/2"	
------------	-------------	----------------	--



Gefäßscheren  
Vascular Scissors

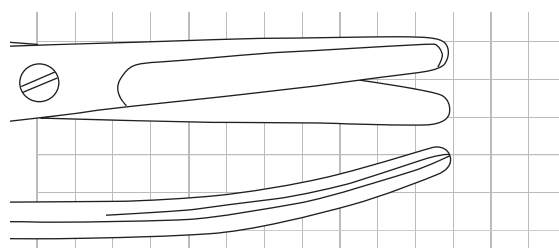
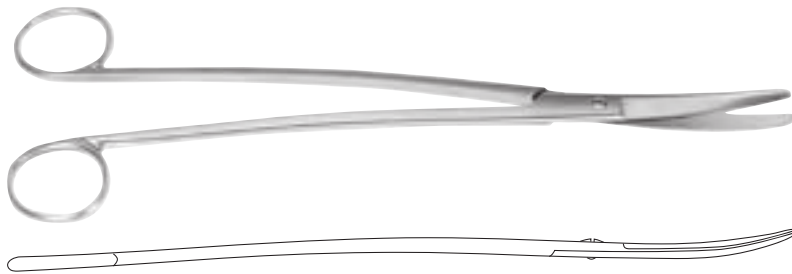


Art.Nr.	Beschreibung   Description	Size	Spez.
010-577-24	SATINSKY	24,5cm; 9 2/3"	



1/1 0 mm 20 mm 40 mm 60 mm

010-579-23	KLINGENBERG-LOTH	23,0cm; 9"	
------------	------------------	------------	--

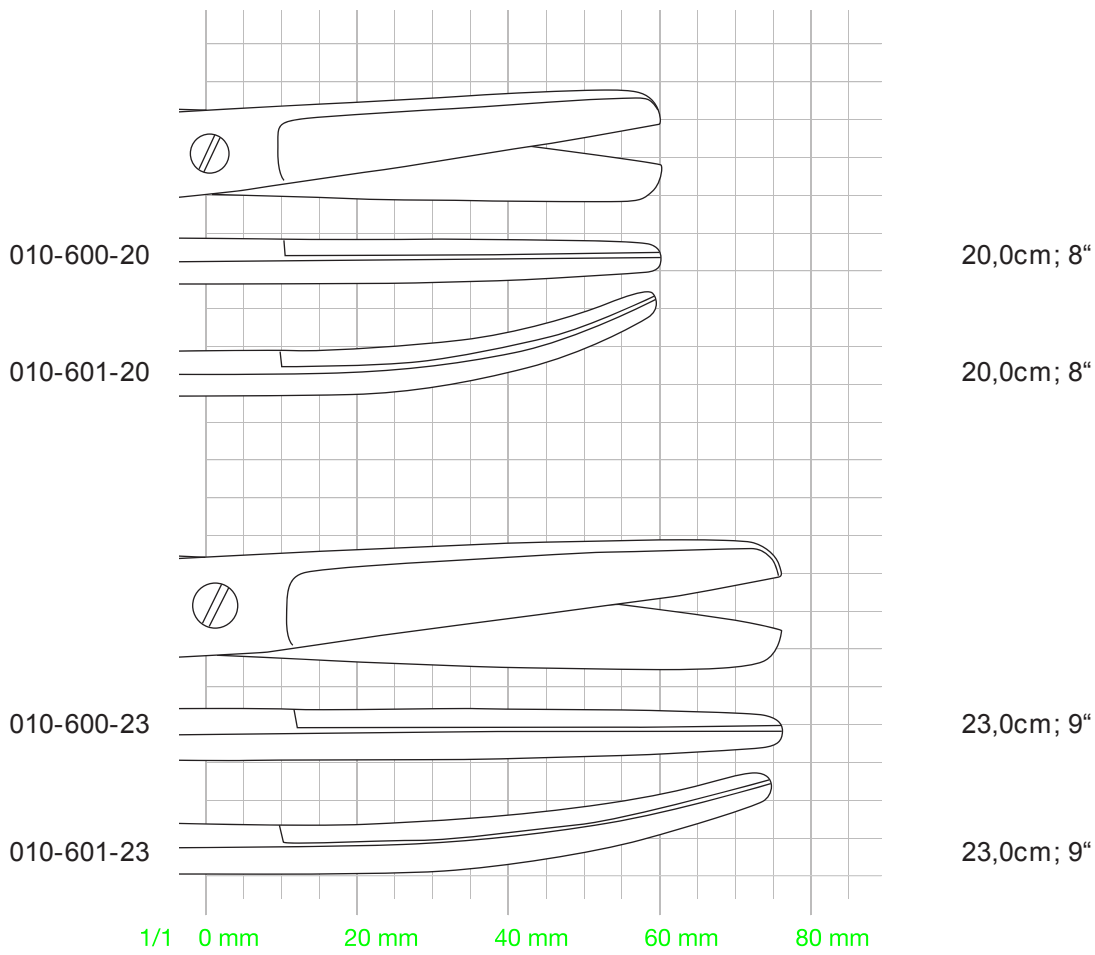


1/1 0 mm 20 mm 40 mm 60 mm

010

Art.Nr.	Beschreibung   Description	Size	Spez.
---------	----------------------------	------	-------

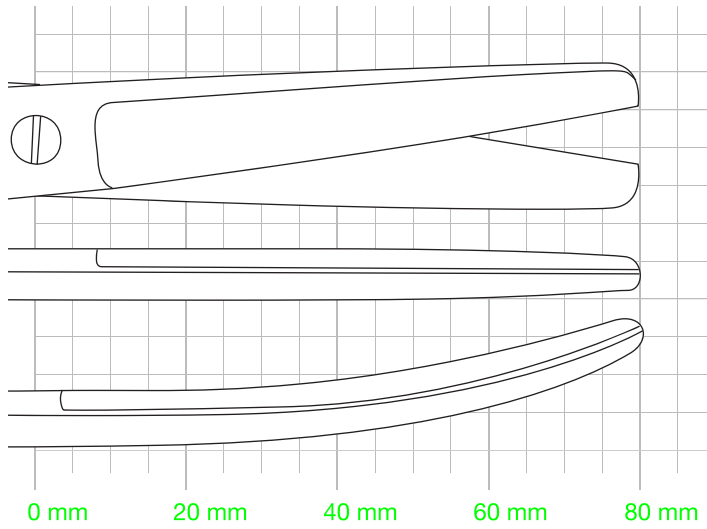
SIMS



Gynäkologische Scheren  
Gynecological Scissors



Art.Nr.	Beschreibung   Description	Size	Spez.
	DOYEN	18,5cm; 7 1/4"	



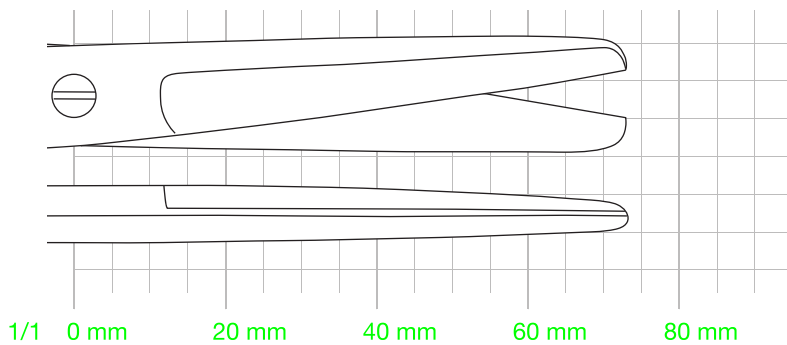
010-610-17

010-611-17

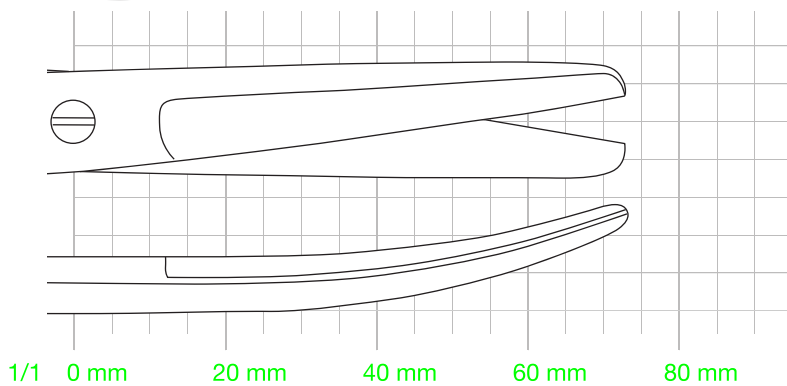
1/1 0 mm 20 mm 40 mm 60 mm 80 mm

010

Art.Nr.	Beschreibung   Description	Size	Spez.
010-618-24	SIMS-SIEBOLD	24,5cm; 9 3/4"	



010-620-24	SIMS-SIEBOLD	24,5cm; 9 3/4"	
------------	--------------	----------------	--



Gynäkologische Scheren; Chirurgische Scheren  
 Gynecological Scissors; Operating Scissors



Art.Nr.	Beschreibung   Description	Size	Spez.
---------	----------------------------	------	-------

KELLY

Fistelscheren | Fistula Scissors



010-634-16

16,0cm; 6 1/4"

010-635-16

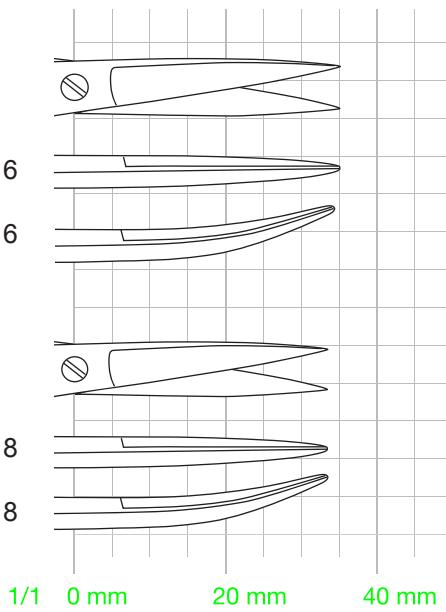
16,0cm; 6 1/4"

010-634-18

18,0cm; 7"

010-635-18

18,0cm; 7"



010



Art.Nr.	Beschreibung   Description	Size	Spez.
---------	----------------------------	------	-------

WERTHEIM

Uterusscheren | Uterine Scissors

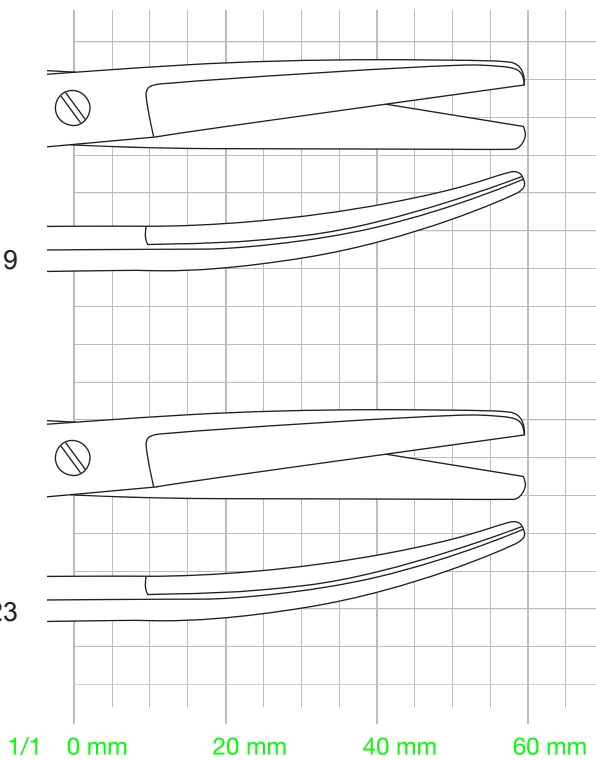


010-640-19

19,5cm; 7 3/4"

010-640-23

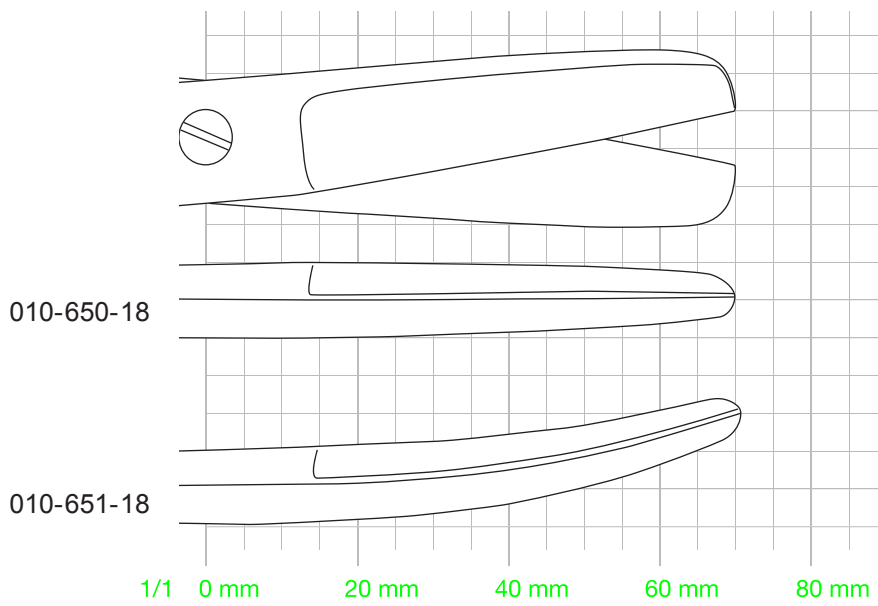
22,5cm; 8 3/4"



Gynäkologische Scheren  
Gynecological Scissors



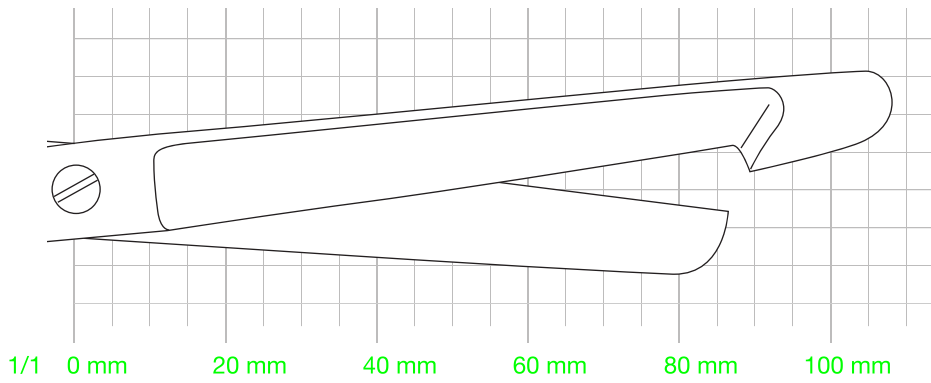
Art.Nr.	Beschreibung   Description	Size	Spez.
	DUBOIS	27,0cm; 10 3/4"	
	Kephalotomiescheren   Decapitating Scissors		



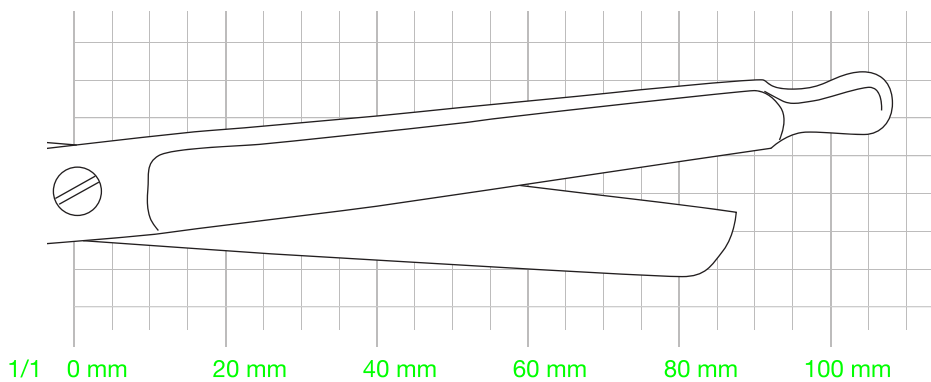
010

Darmscheren  
Enterotomy Scissors

Art.Nr.	Beschreibung   Description	Size	Spez.
010-672-21		21,0cm; 8 1/4"	



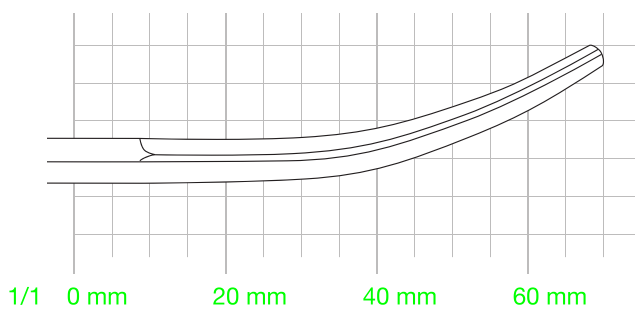
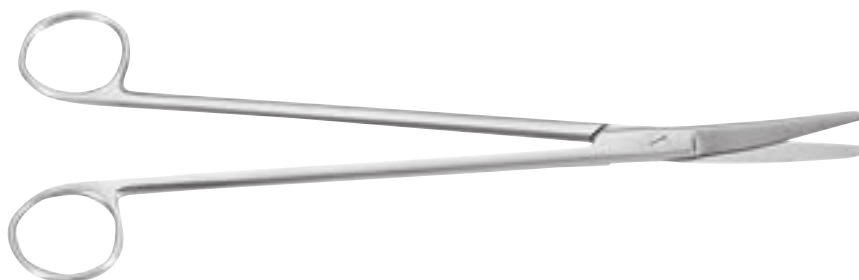
010-674-21		21,0cm; 8 1/4"	
------------	--	----------------	--



Darmscheren  
Enterotomy Scissors



Art.Nr.	Beschreibung   Description	Size	Spez.
010-677-27	LLOYD-DAVIES	27,0cm; 10 3/4"	



010

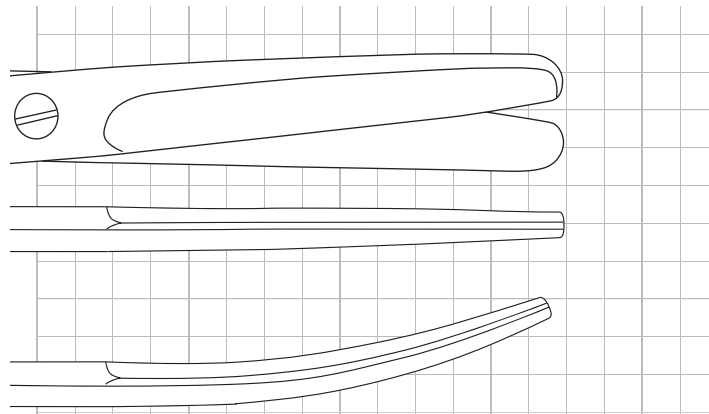
[www.glhsurgical.com](http://www.glhsurgical.com)  
Please find out more about  
our instruments and services  
by visiting our website

Lungenlappen- und Rektumscheren  
Lobectomy and Rectal Scissors

Art.Nr.	Beschreibung   Description	Size	Spez.
---------	----------------------------	------	-------

STELZNER

31,0cm; 12 1/4"



010-680-31

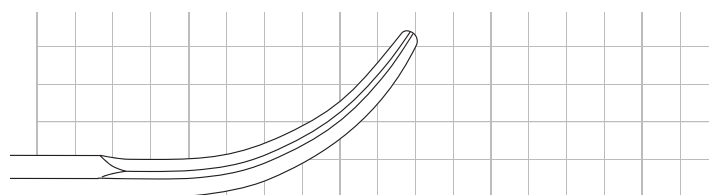
010-681-31

1/1 0 mm 20 mm 40 mm 60 mm 80 mm

010-685-32

RECTAL

32,5cm; 12 3/4"

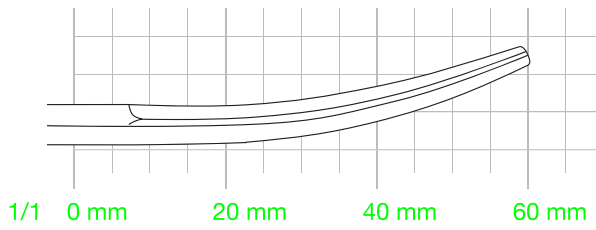


1/1 0 mm 20 mm 40 mm 60 mm 80 mm

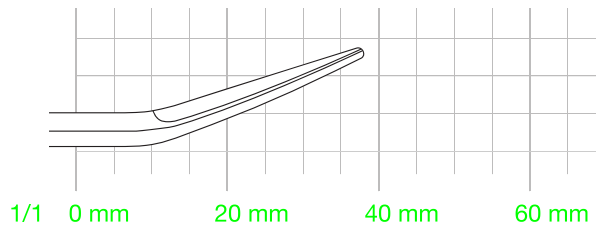
Lungenlappen- und Rektumscheren  
Lobectomy and Rectal Scissors



Art.Nr.	Beschreibung   Description	Size	Spez.
010-689-28	WILLAUER	28,0cm; 11"	



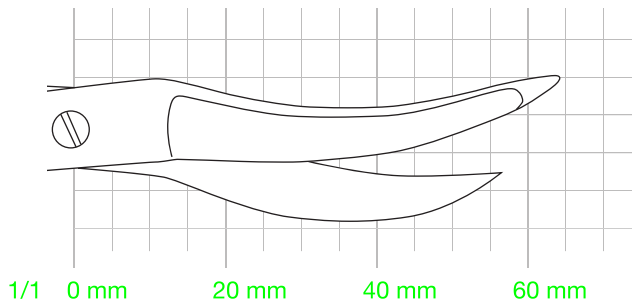
010-693-27	FINOCHIETTO	27,0cm; 10 3/4"	
------------	-------------	-----------------	--



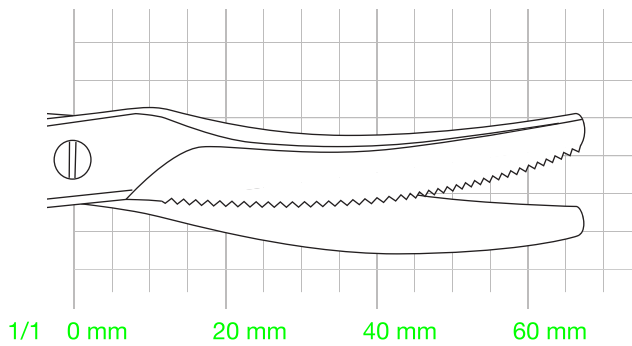
010

Dammscheren (Episiotomie)  
Perineum Scissors (Episiotomy)

Art.Nr.	Beschreibung   Description	Size	Spez.
010-695-18	WALDMANN	18,0cm; 7"	



010-703-20		20,0cm; 8"	
------------	--	------------	---

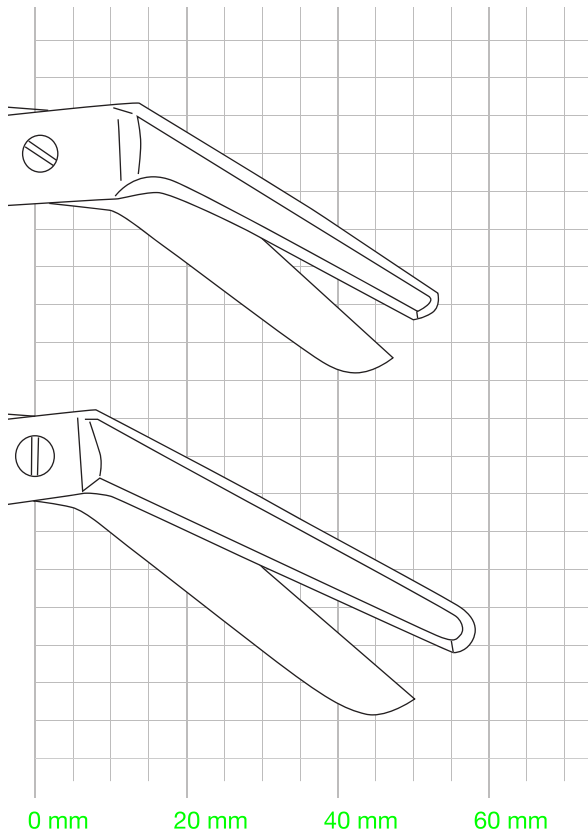


Dammscheren (Episiotomie)  
Perineum Scissors (Episiotomy)



Art.Nr.	Beschreibung   Description	Size	Spez.
---------	----------------------------	------	-------

BRAUN-STADLER



010-701-14

14,5cm; 5 3/4"

010-701-20

20,0cm; 8"

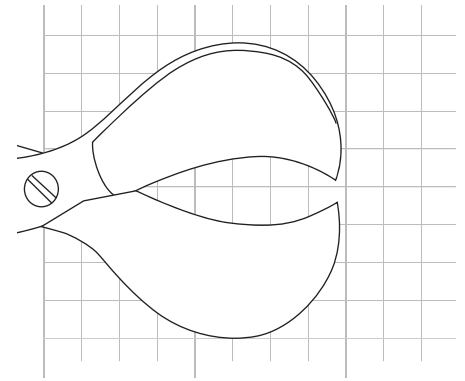
1/1 0 mm 20 mm 40 mm 60 mm

010



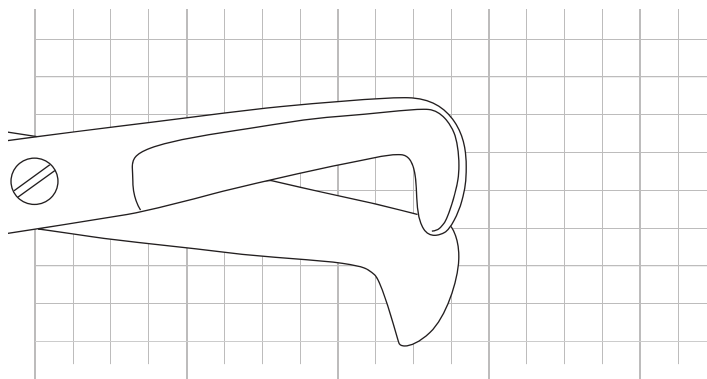
Nabelschnurscheren  
Umbilical Cord Scissors

Art.Nr.	Beschreibung   Description	Size	Spez.
010-706-10	USA MODELL	10,5cm; 4 1/4"	



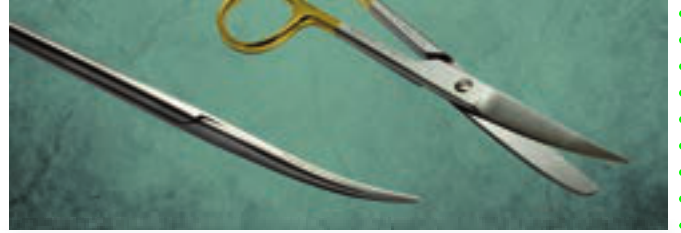
1/1 0 mm 20 mm 40 mm

010-709-16	SCHUMACHER	16,0cm; 6 1/4"	
------------	------------	----------------	--

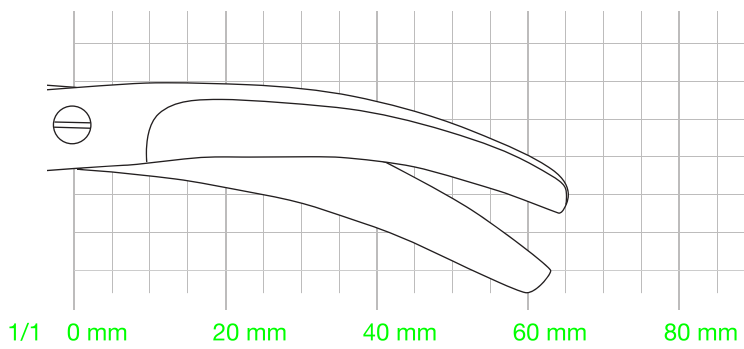


1/1 0 mm 20 mm 40 mm 60 mm 80 mm

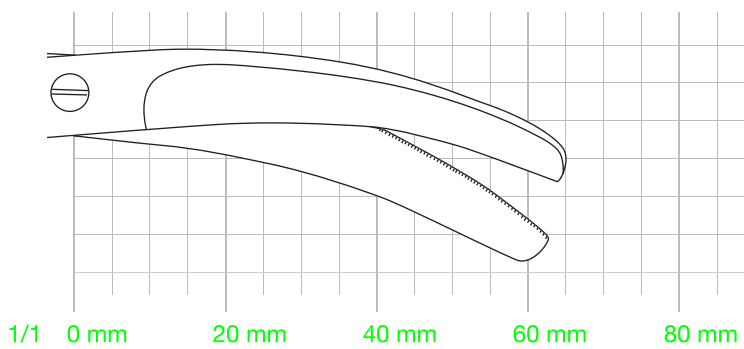
Nabelschnurscheren  
Umbilical Cord Scissors



Art.Nr.	Beschreibung   Description	Size	Spez.
010-707-16	BUSCH	16,0cm; 6 1/4"	




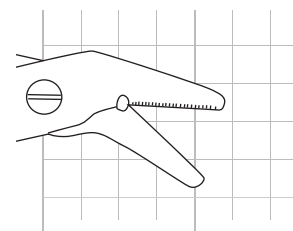
010-705-16	BUSCH	16,0cm; 6 1/4"	
------------	-------	----------------	---



010

Drahtscheren  
Wire cutting Scissors

Art.Nr.	Beschreibung   Description	Size	Spez.
010-800-12	UNIVERSAL	12,0cm; 4 3/4"	

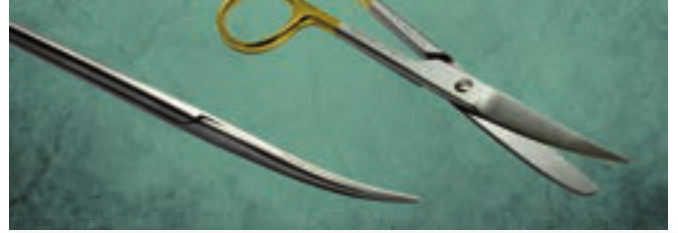


1/1 0 mm 20 mm



We can help to find a specific product. If you do not find a product in this catalogue please send us the reference catalogue number or an illustration of the instrument you are looking for.

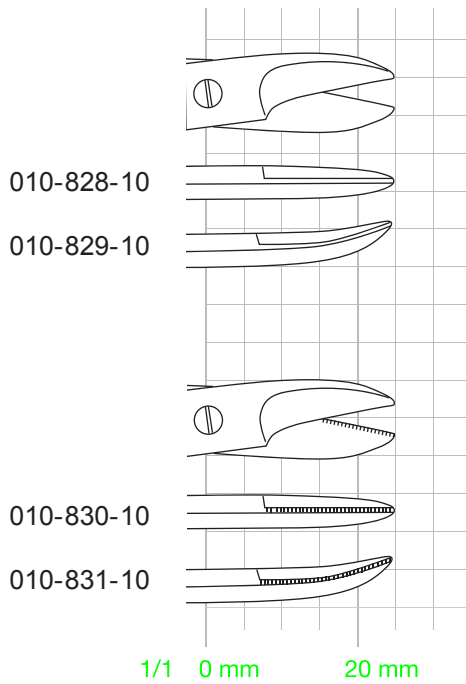
Drahtscheren  
Wire cutting Scissors




Art.Nr.	Beschreibung   Description	Size	Spez.
	BEEBEE	10,5cm; 4 1/8"	

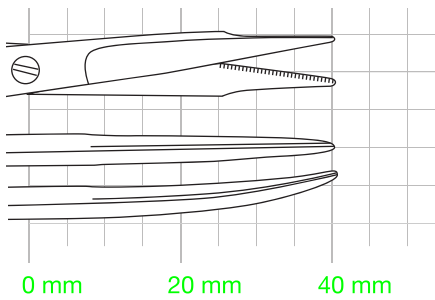


010




Zahnfleischscheren  
Gum Scissors

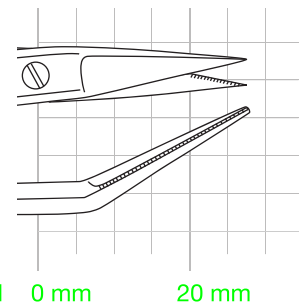
Art.Nr.	Beschreibung   Description	Size	Spez.
	GOLDMANN-FOX	13,0cm; 5"	



010-880-13


010-881-13

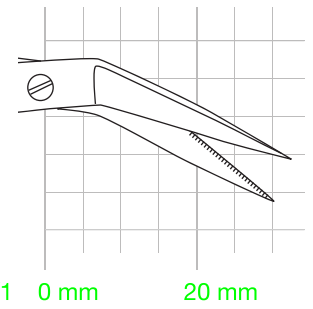
010-893-17	DEAN	17,0cm; 6 3/4"	
------------	------	----------------	---



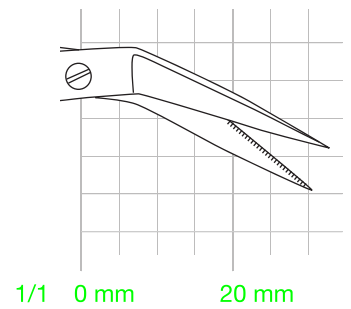
Zahnfleischscheren  
Gum Scissors



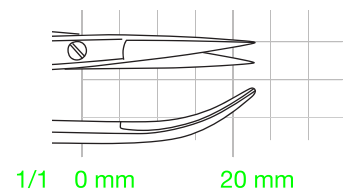
Art.Nr.	Beschreibung   Description	Size	Spez.
010-890-16	LOCKLIN	16,0cm; 6 1/4"	



010-891-16	LOCKLIN	16,0cm; 6 1/4"	
------------	---------	----------------	---



010-895-11	LA GRANGE	11,5cm; 4 1/2"	
------------	-----------	----------------	--



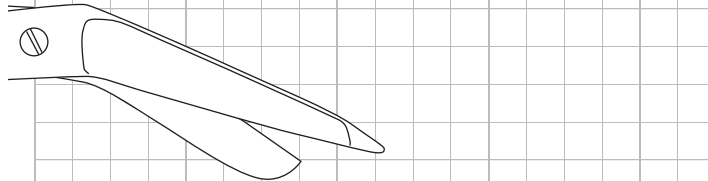
010

Art.Nr.	Beschreibung   Description	Size	Spez.
---------	----------------------------	------	-------

LISTER

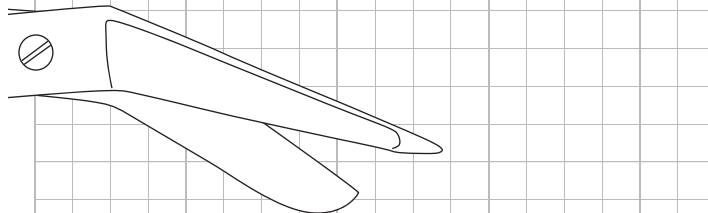


010-900-11



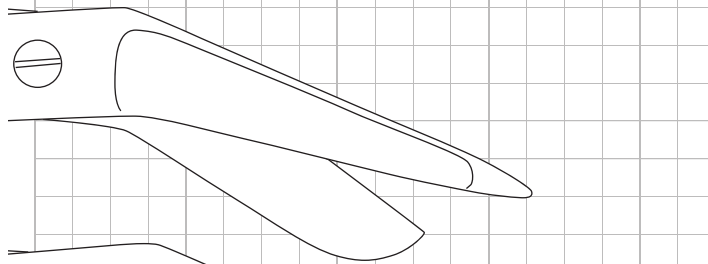
11,0cm; 4 3/8"

010-900-14



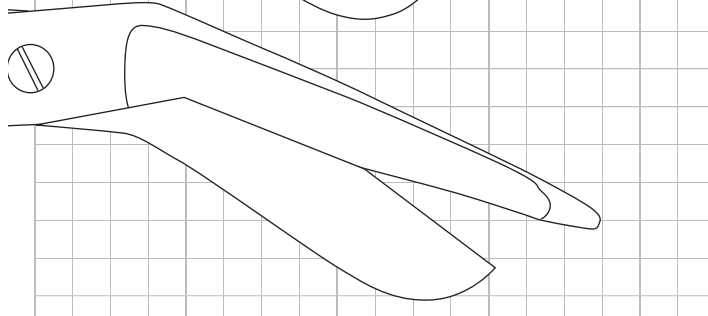
14,0cm; 5 1/2"

010-900-18



18,0cm; 7"

010-900-20



20,0cm; 8"

1/1 0 mm 20 mm 40 mm 60 mm 80 mm

Verbandsscheren  
Bandage Scissors



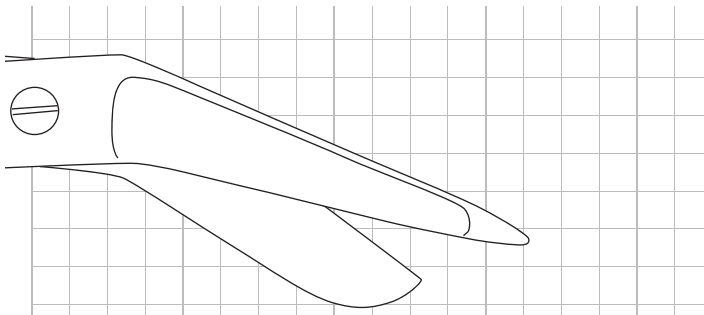
Art.Nr.	Beschreibung   Description	Size	Spez.
---------	----------------------------	------	-------

LISTER  
1 großer Ring | 1 big ring



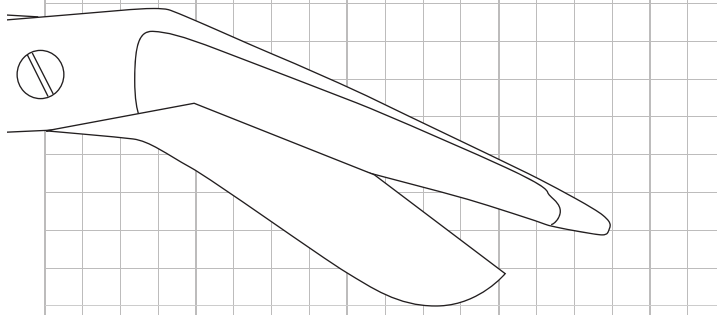
010

010-901-18



18,5cm; 7 1/4"

010-901-21



21,0cm; 8 1/4"

1/1 0 mm 20 mm 40 mm 60 mm 80 mm

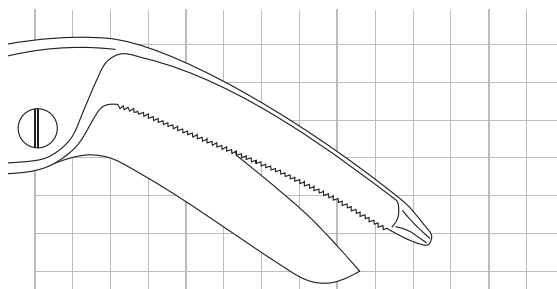


Art.Nr. Beschreibung | Description Size Spez.

LISTER-EXCENTRIC

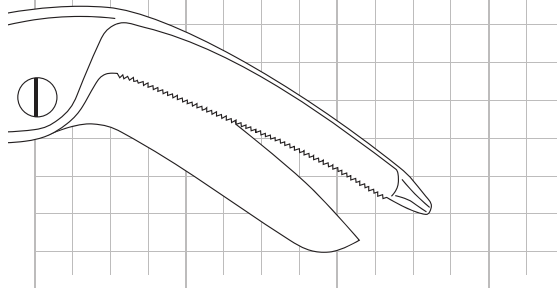


010-903-16



16,0cm; 6 1/4"

010-903-19



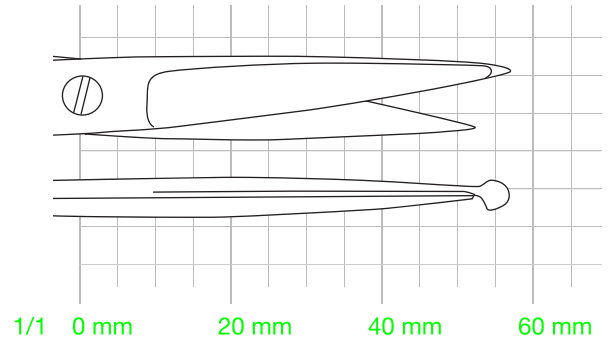
19,0cm; 7 1/2"

1/1 0 mm 20 mm 40 mm 60 mm

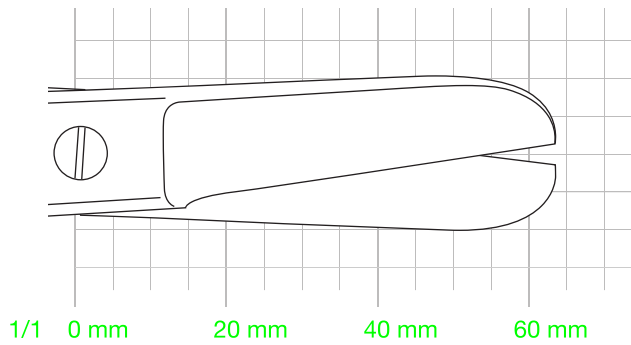
Verbandsscheren  
Bandage Scissors



Art.Nr.	Beschreibung   Description	Size	Spez.
010-920-14	KNOWLES	14,0cm; 5 1/2"	



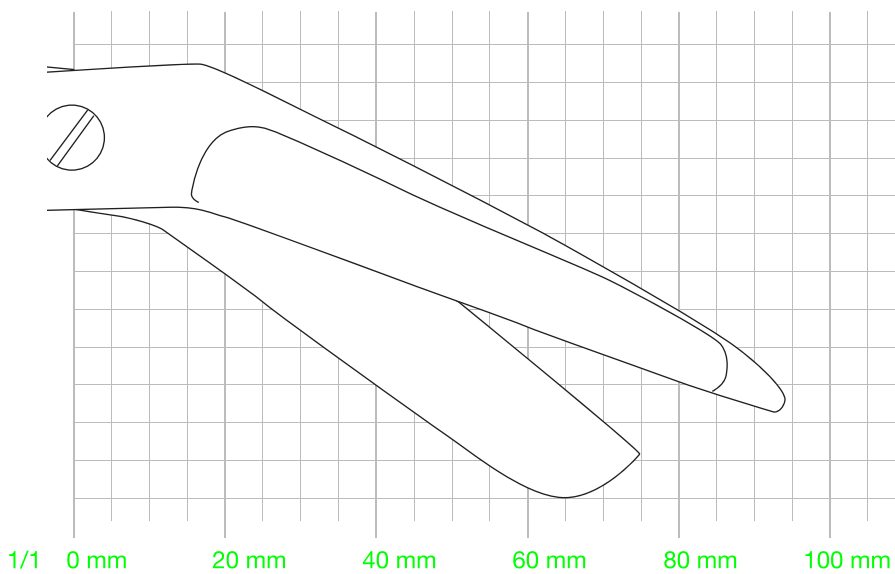
010-930-23	LORENZ	23,0cm; 9"	
------------	--------	------------	--



010

Gipsscheren  
Plaster shears

Art.Nr.	Beschreibung   Description	Size	Spez.
010-905-23	BERGMANN	23,0cm; 9"	



Gipsscheren  
Plaster shears



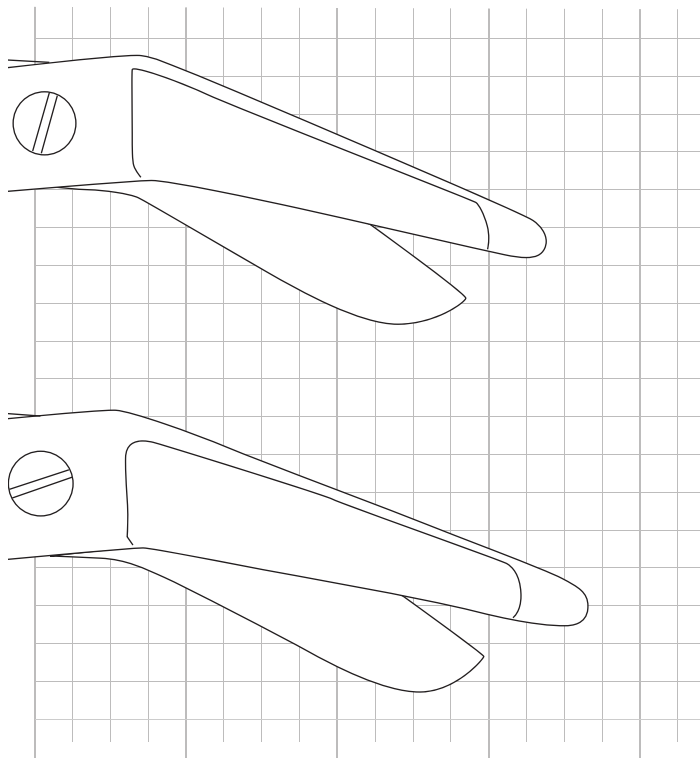
Art.Nr.	Beschreibung   Description	Size	Spez.
---------	----------------------------	------	-------

ESMARCH



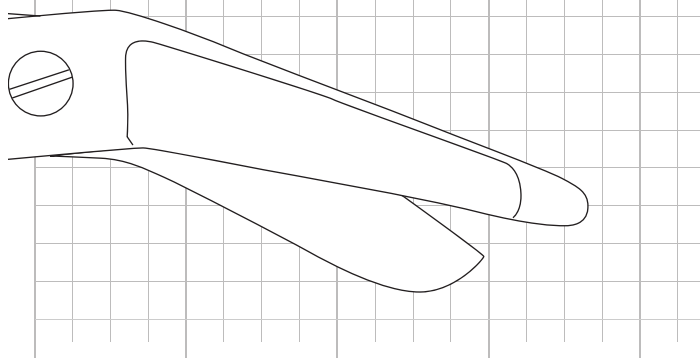
010

010-907-20



20,0cm; 8"

010-907-22



22,0cm; 8 3/4"

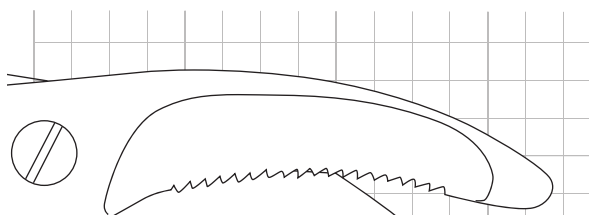
1/1 0 mm 20 mm 40 mm 60 mm 80 mm

Gipsscheren  
Plaster shears

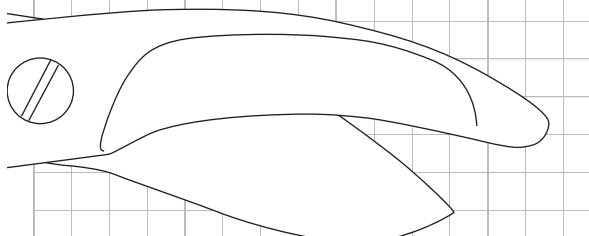
Art.Nr.	Beschreibung   Description	Size	Spez.
	BRUNS	24,0cm; 9 1/2"	



010-909-24




010-910-24

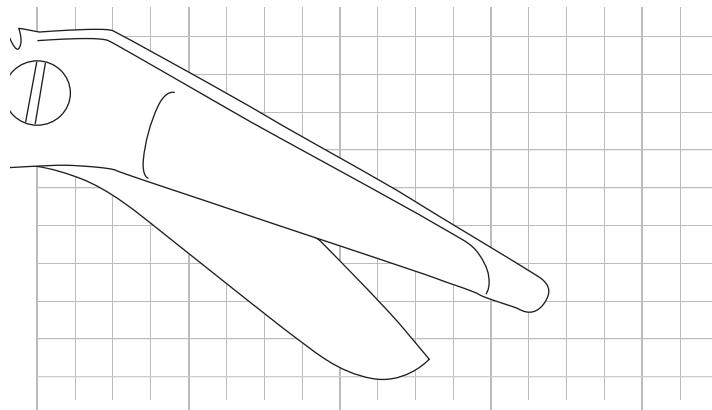


1/1 0 mm 20 mm 40 mm 60 mm

Gipsscheren  
Plaster shears

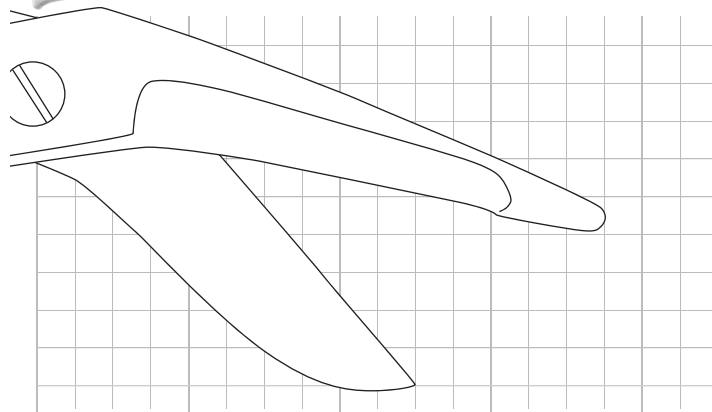


Art.Nr.	Beschreibung   Description	Size	Spez.
010-941-20		20,0cm; 8"	



1/1 0 mm 20 mm 40 mm 60 mm 80 mm

010-943-23	SEUTIN	23,0cm; 9"	
------------	--------	------------	--



1/1 0 mm 20 mm 40 mm 60 mm 80 mm

010

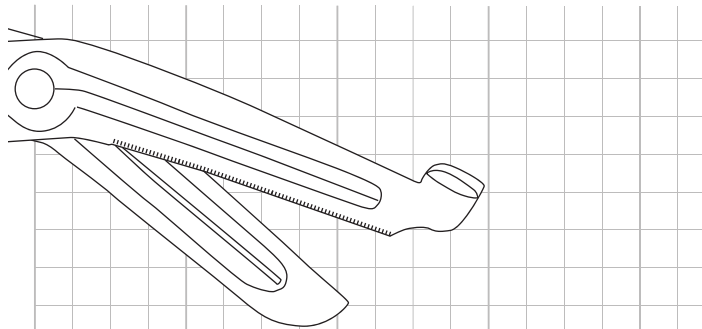
Verbandsscheren  
Bandage Scissors

Art.Nr. Beschreibung | Description Size Spez.

UNIVERSAL  
autoclavable

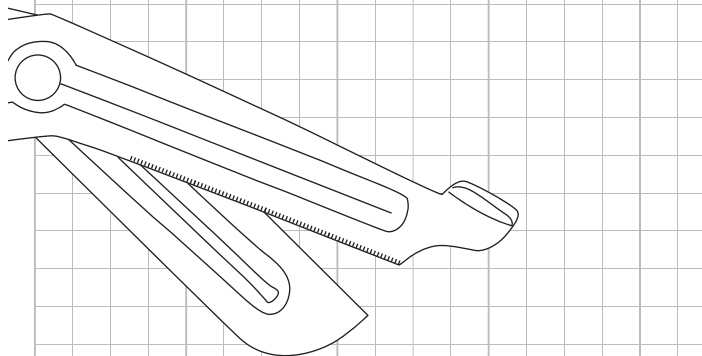


010-950-14



14,0cm; 5 1/2"

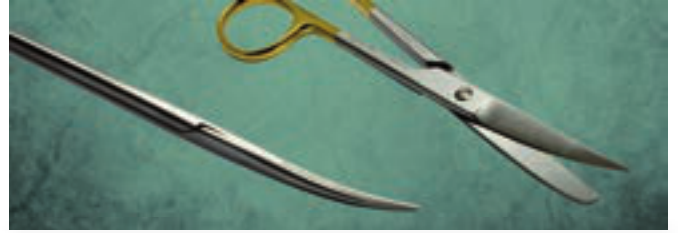
010-950-18



18,0cm; 7"

1/1 0 mm 20 mm 40 mm 60 mm 80 mm

010



Art.Nr.	Beschreibung   Description	Size	Spez.
<b>Other items available but not illustrated</b>			
010-000-15	STANDARD operating scissors straight; blunt/blunt	15,5cm; 6,2"	
010-000-17	STANDARD operating scissors straight; blunt/blunt	17,5cm; 7"	
010-001-17	STANDARD operating scissors; curved; blunt/blunt	17,5cm; 7"	
010-002-15	STANDARD operating scissors; straight; sharp/blunt	15,5cm; 6,2"	
010-002-17	STANDARD operating scissors; straight; sharp/blunt	17,5cm; 7"	
010-003-17	STANDARD operating scissors; curved; sharp/blunt	17,5cm; 7"	
010-004-17	STANDARD operating scissors; straight; sharp/sharp	17,5cm; 7"	
010-013-13	FOMON dissecting scissors curved	13,5cm; 5,4"	
010-015-13	FOMON dissecting scissors curved; serrated		
010-050-14	DEAVER surgical scissors straight; blunt/blunt	14,5cm; 5,8"	
010-051-14	DEAVER surgical scissors curved; blunt/blunt		
010-071-13	GRAZIL operating scissors curved; blunt/blunt	13,0cm; 5,2"	
010-072-13	GRAZIL operating scissors straight; sharp/blunt		
010-073-13	GRAZIL operating scissors curved; sharp/blunt		
010-074-13	GRAZIL operating scissors straight; sharp/sharp		
010-075-13	GRAZIL operating scissors curved; sharp/sharp		
010-100-28	MAYO dissecting scissors straight; blunt/blunt	28,0cm; 11,2"	
010-101-28	MAYO dissecting scissors curved; blunt/blunt		
010-112-18	METZENBAUM-NELSON dissecting scissors straight; sharp/blunt	18,0cm; 7,2"	
010-112-25	METZENBAUM-NELSON dissecting scissors straight; sharp/blunt	25,0cm; 10,0"	
010-113-18	METZENBAUM-NELSON dissecting scissors curved; sharp/blunt	18,0cm; 7,2"	
010-113-25	METZENBAUM-NELSON dissecting scissors curved; sharp/blunt	25,0cm; 10,0"	
010-114-23	METZENBAUM-NELSON dissecting scissors; straight; sharp/sharp	23,0cm; 9,2"	
010-115-18	METZENBAUM-NELSON dissecting scissors curved; sharp/sharp	18,0cm; 7,2"	
010-115-20	METZENBAUM-NELSON dissecting scissors curved; sharp/sharp	20,0cm; 8"	
010-115-23	METZENBAUM-NELSON dissecting scissors curved; sharp/sharp	23,0cm; 9,2"	
010-115-25	METZENBAUM-NELSON dissecting scissors curved; sharp/sharp	25,0cm; 10,0"	

010



Weitere Artikel  
further items

Art.Nr.	Beschreibung   Description	Size	Spez.
<b>Other items available but not illustrated</b>			
010-120-25	METZENBAUM-FINO dissecting scissors straight; blunt/blunt	25,0cm; 10,0"	
010-120-28	straight; blunt/blunt	28,0cm; 11,2"	
010-121-28	METZENBAUM-FINO dissecting scissors; curved; blunt/blunt	28,0cm; 11,2"	
010-148-24S	RESANO cartilage scissors; angled up; blunt/blunt	24,5cm; 9,8"	
010-200-18	KILNER dissecting scissors straight; blunt/blunt	18,0cm; 7,2"	
010-201-18	curved; blunt/blunt		
010-210-18	REYNOLDS dissecting scissors; straight; sharp/sharp	18,0cm; 7,2"	
010-230-12	dissecting scissors straight; blunt/blunt	12,0cm; 4,8"	
010-231-12	curved; blunt/blunt		
010-242-11	IRIS delicate operating scissors straight; sharp/sharp; big Ring	11,5cm; 4,6"	
010-243-11	curved; sharp/sharp; big Ring		
010-246-11	Eye scissors straight; blunt/blunt	11,5cm; 4,6"	
010-247-11	curved; blunt/blunt		
010-248-11	straight; sharp/blunt		
010-249-11	curved; sharp/blunt		
010-250-12	IRIS delicate operating scissors straight; sharp/sharp; round shanks	12,5cm; 5"	
010-253-11	LITTLER delicate operating scissors curved; sharp/sharp	11,5cm; 4,6"	
010-253-14	curved; sharp/sharp	14,0cm; 5,6"	
010-259-11	CHADWICK eye scissors; curved; sharp/sharp	11,0cm; 4,4"	
010-266-00	RIBBON eye scissors straight; sharp/sharp	10,0cm; 4"	
010-266-02	straight; blunt/blunt		
010-266-03	curved; blunt/blunt		
010-266-04	straight; blunt/blunt		
010-266-05	curved; blunt/blunt		
010-268-00	RIBBON eye scissors straight; sharp/sharp; delicate	9,5cm; 3,8"	
010-268-01	curved; sharp/sharp; delicate		
010-268-02	straight; blunt/blunt; delicate		
010-268-04	straight; sharp/sharp		
010-268-05	curved; sharp/sharp		



Art.Nr.	Beschreibung   Description	Size	Spez.
<b>Other items available but not illustrated</b>			
010-271-08	BONN delicate operating scissors; curved; sharp/sharp	9,0cm; 3,5"	
010-291-10	STEVENS tendon scissors curved; sharp/sharp	10,5cm; 4,2"	
010-294-10	straight; blunt/blunt		
010-302-16	Incision scissors; straight	16,5cm; 6,6"	
010-304-13	delicate operating scissors straight; sharp/sharp	13,0cm; 5,2"	
010-305-13	curved; sharp/sharp		
010-306-10	delicate operating scissors straight	10,5cm; 4,2"	
010-306-11	straight	11,5cm; 4,6"	
010-307-10	delicate operating scissors curved	10,5cm; 4,2"	
010-307-11	curved	11,5cm; 4,6"	
010-309-11	delicate operating scissors; angled	11,5cm; 4,6"	
010-324-18	TOENNIS dissecting scissors; straight; blunt/blunt	18,0cm; 7,2"	
010-331-14	BEUSE dissceting scissors; curved blunt/blunt	14,0cm; 5,6"	
010-331-18	blunt/blunt	18,0cm; 7,2"	
010-345-15	FOMON nasal scissors; angled; blunt/blunt	13,5cm; 5,4"	
010-401-11	SPENCER-DELICATE ligature scissors; straight	11,0cm; 4,4"	
010-411-06	SHORTBENT ligature scissors; curved	6,0cm; 2,4"	
010-426-12	ligature scissors; straight; serrated	12,0cm; 4,8"	
010-452-22	STRULLY neurosurgical scissors; curved	22,0cm; 8,8"	
010-455-21	MILLS vascular scissors; angled; probe pointed	21,0cm; 8,4"	
010-464-17	CHURCH vascular scissors straight; blunt/blunt	17,0cm; 6,8"	
010-465-17	curved; blunt/blunt		
010-501-19	HEYMANN nasal scissors; angled; blunt/blunt	19,5cm; 7,8"	
010-515-18	COTTLE nasal scissors; angled; serrated	17,5cm; 7"	

Weitere Artikel  
further items

Art.Nr.	Beschreibung   Description	Size	Spez.
<b>Other items available but not illustrated</b>			
010-549-12	HEGEMANN-DIETRICH vascular scissors 125° angled; sharp/sharp	16,0cm; 6,4"	
010-549-25	25° angled; sharp/sharp		
010-549-45	45° angled; sharp/sharp		
010-549-60	60° angled; sharp/sharp		
010-549-90	90° angled; sharp/sharp		
010-562-17	FAVALORO vascular scissors; curved; 130°	17,0cm; 6,8"	
010-563-25	DIETRICH peripheral scissors 25° angled	13,5cm; 5,4"	
010-563-45	45° angled		
010-563-60	60° angled		
010-563-90	90° angled		
010-602-20	SIMS gynecological scissors; straight; sharp/blunt	20,0cm; 8"	
010-602-23	SIMS gynecological scissors; straight; sharp/blunt	23,0cm; 9,2"	
010-603-20	SIMS gynecological scissors; curved; sharp/blunt	20,0cm; 8"	
010-603-23	SIMS gynecological scissors; curved; sharp/blunt	23,0cm; 9,2"	
010-604-20	SIMS gynecological scissors; straight; sharp/sharp	20,0cm; 8"	
010-604-23	SIMS gynecological scissors; straight; sharp/sharp	23,0cm; 9,2"	
010-605-20	SIMS gynecological scissors; curved; sharp/sharp	20,0cm; 8"	
010-605-23	SIMS gynecological scissors; curved; sharp/sharp	23,0cm; 9,2"	
010-622-22	BOZEMANN gynecological scissors; S-shaped; curved	22,0cm; 8,8"	
010-640-14	WERTHEIM operating scissors; curved; blunt/blunt	14,5cm; 5,8"	
010-655-28	WELLER scissors; curved	28,0cm; 11,2"	
010-707-13	BUSCH umbilical scissors; curved; blunt/blunt	13,5cm; 5,4"	
010-810-12	HARVEY wire cutting scissors; straight; blunt; serrated	12,5cm; 5"	
010-826-10	BEEBEE wire cutting scissors straight; blunt	10,5cm; 4,2"	
010-827-10	curved; blunt		
010-830-12	BEEBEE wire cutting scissors straight; sharp; serrated	12,5cm; 5"	
010-831-12	curved; sharp; serrated		

Weitere Artikel  
further items



Art.Nr.	Beschreibung   Description	Size	Spez.
<b>Other items available but not illustrated</b>			
010-838-11	crown scissors straight; sharp/sharp	11,0cm; 4,4"	
010-839-11	curved; sharp/sharp		
010-858-09	nail scissors straight; sharp/sharp	9,0cm; 3,6"	
010-858-10	straight; sharp/sharp	10,5cm; 4,2"	
010-859-09	nail scissors curved; sharp/sharp	9,0cm; 3,6"	
010-859-10	curved; sharp/sharp	10,5cm; 4,2"	
010-860-10	nail scissors; straight; sharp/sharp	10,5cm; 4,2"	
010-878-13	KOENIG nail splitting scissors straight	13,5cm; 5,4"	
010-878-15	straight	15,0cm; 6"	
010-885-13	GOLDMAN-FOX gum scissors; S-shaped curved; sharp/sharp	13,0cm; 5,2"	
010-887-12	QUINBY gum scissors; curved; sharp/sharp	12,5cm; 5"	
010-899-02	SULLIVAN gum scissors; curved; sharp/sharp	14,5cm; 5,8"	
010-899-12	NEUMANN gum scissors; curved; sharp/sharp	12,5cm; 5"	
010-900-09	LISTER bandage scissors angled	9,0cm; 3,6"	
010-900-15	angled	15,5cm; 6,2"	
010-921-14	KNOWLES bandage scissors; angled; for fingers	14,0cm ; 5,6"	
010-922-18	LANGE bandage scissors; straight; blunt/blunt	18,0cm; 7,2"	
010-940-16	SMITH bandage scissors straight	16,0cm; 6,4"	
010-940-18	straight	18,0cm; 7,2"	
010-940-20	straight	20,0cm; 8"	
010-940-23	straight	23,0cm; 9,2"	
010-950-14BLACK	BLACK UNIVERSAL bandage scissors angled; serrated; with tip	14,0cm; 5,6"	
010-950-14BLUE	angled; serrated; blue		
010-950-14GREEN	angled; serrated; green		
010-950-14ORANGE	angled; serrated; orange		
010-950-14PINK	angled; serrated; pink		
010-950-14RED	angled; serrated; red		
010-950-14VIOLET	angled; serrated; violet		
010-950-14YELLOW	angled; serrated; yellow		

010

Weitere Artikel  
further items

Art.Nr.	Beschreibung   Description	Size	Spez.
---------	----------------------------	------	-------

Other items available but not illustrated

	UNIVERSAL bandage scissors	18,0cm; 7,2"	
010-950-18BLACK	angled; serrated, with tip		
010-950-18BLUE	angled; serrated; blue		
010-950-18GREEN	angled; serrated; green		
010-950-18ORANGE	angled; serrated; orange		
010-950-18PINK	angled; serrated; pink		
010-950-18RED	angled; serrated; red		
010-950-18VIOLET	angled; serrated; violet		
010-950-18YELLOW	angled; serrated; yellow		

TC

*golden rings*

1.4021

*tungsten carbide*

*curved*

*sharp*

TC Scheren  
TC Scissors

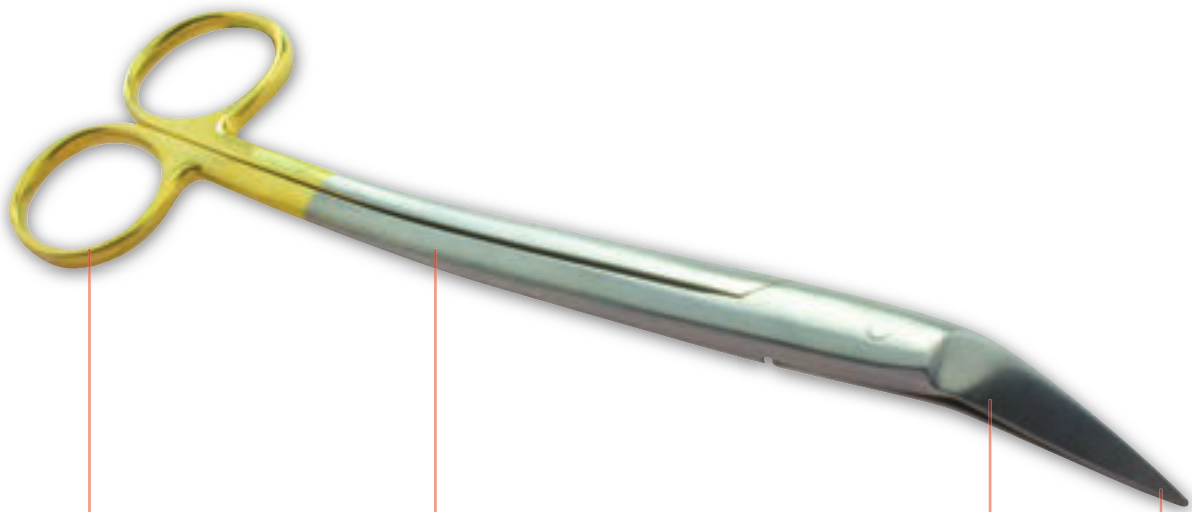
011

Scheren mit Hartmetallschneiden  
Scissors with tungsten carbide edges



TC

hohe Wirtschaftlichkeit; lange Lebensdauer  
economical; long lasting performance



durchgehend gehärtet  
fully tempered

glatter weicher Schnitt  
smooth cutting

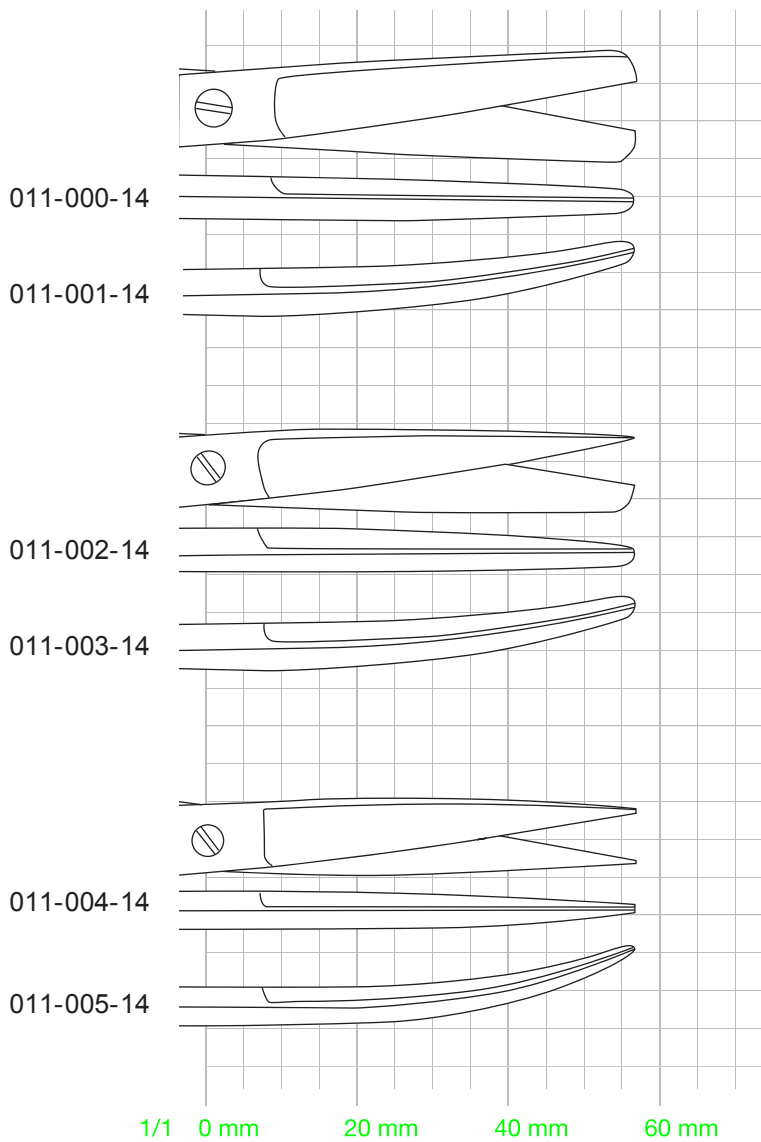
vergoldete Ringe zur schnellen Identifikation  
goldplated rings for easy identification

hervorragende Schnitthaltigkeit  
excellent cutting action

011

Chirurgische Scheren  
Operating Scissors

Art.Nr.	Beschreibung   Description	Size	Spez.
	STANDARD	14,5cm; 5 3/4"	



011



Chirurgische Scheren  
Operating Scissors



Art.Nr.	Beschreibung   Description	Size	Spez.
---------	----------------------------	------	-------

MAYO



011

011-100-14		14,5cm; 5 3/4"
011-101-14		14,5cm; 5 3/4"
011-100-17		17,0cm; 6 3/4"
011-101-17		17,0cm; 6 3/4"
011-100-23		23,0cm; 9"
011-101-23		23,0cm; 9"

1/1 0 mm 20 mm 40 mm 60 mm

Art.Nr.	Beschreibung   Description	Size	Spez.
---------	----------------------------	------	-------

MAYO-STILLE



011-102-15		15,0cm; 6"
011-103-15		15,0cm; 6"
011-102-17		17,0cm; 6 3/4"
011-103-17		17,0cm; 6 3/4"

1/1 0 mm 20 mm 40 mm 60 mm

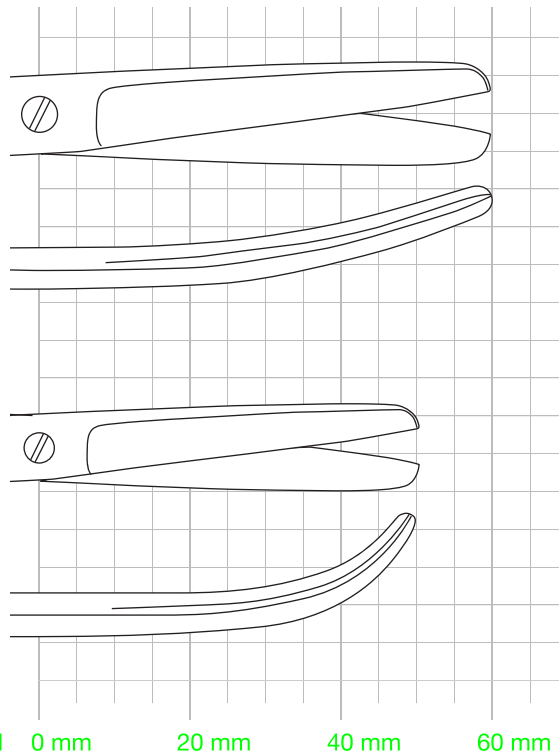
Chirurgische Scheren  
Operating Scissors



Art.Nr.	Beschreibung   Description	Size	Spez.
---------	----------------------------	------	-------

PARAMETRIUM

kräftiges Modell | heavy pattern



011-107-22

22,5cm; 8 3/4"

011-107-23

23,0cm; 9"

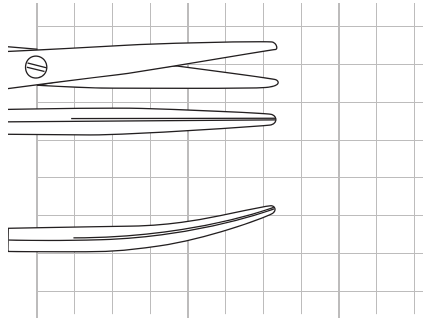
1/1 0 mm 20 mm 40 mm 60 mm

011

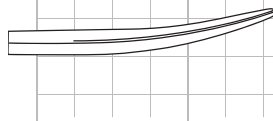
Art.Nr.	Beschreibung   Description	Size	Spez.
	BABY-METZENBAUM	11,5cm; 4 1/2"	



011-110-11



011-111-11



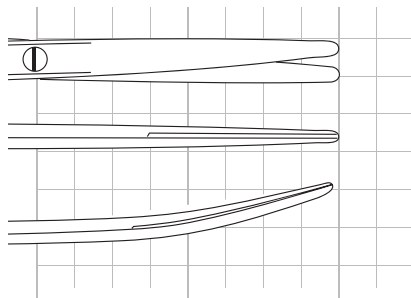
1/1 0 mm 20 mm 40 mm

METZENBAUM

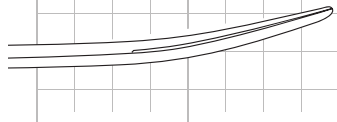
14,5cm; 5 3/4"



011-110-14



011-111-14



1/1 0 mm 20 mm 40 mm

Präparierscheren  
Dissecting Scissors

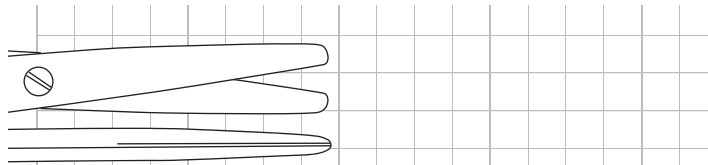


Art.Nr.	Beschreibung   Description	Size	Spez.
---------	----------------------------	------	-------

METZENBAUM-NELSON



011-110-18



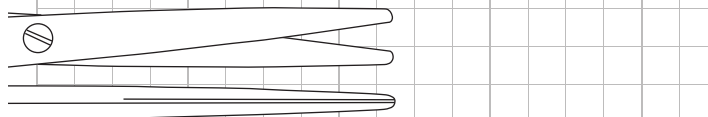
18,0cm; 7"

011-111-18



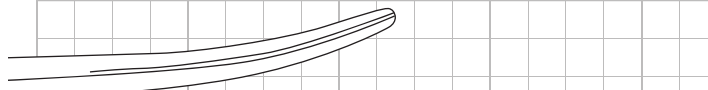
18,0cm; 7"

011-110-20



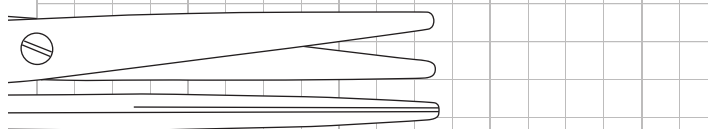
20,0cm; 8"

011-111-20



20,0cm; 8"

011-110-23



23,0cm; 9"

011-111-23



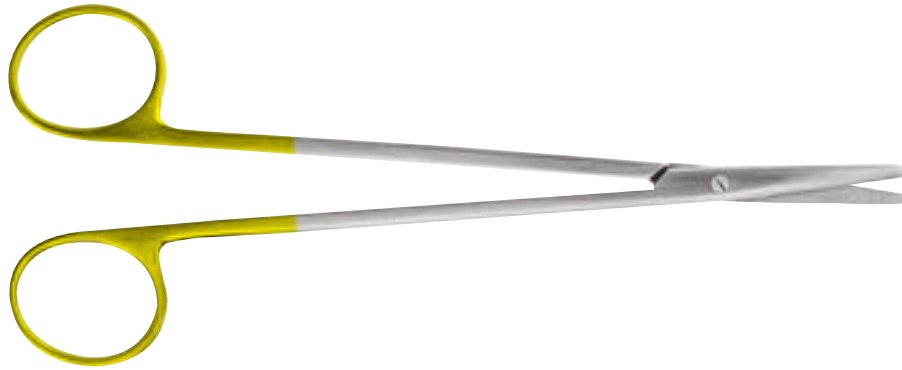
23,0cm; 9"

1/1 0 mm 20 mm 40 mm 60 mm 80 mm

011

Art.Nr. Beschreibung | Description Size Spez.

METZENBAUM-NELSON



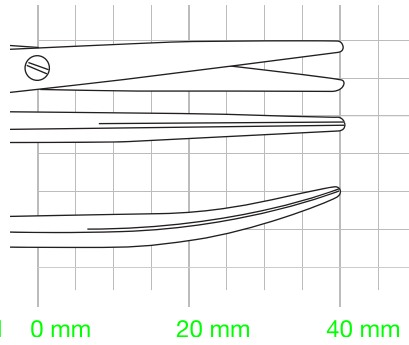
011-110-25		26,0cm; 10 1/4"
011-111-25		26,0cm; 10 1/4"
011-110-28		28,5cm; 11 1/4"
011-111-28		28,5cm; 11 1/4"
011-110-30		31,0cm; 12 1/4"
011-111-30		31,0cm; 12 1/4"

1/1 0 mm 20 mm 40 mm 60 mm 80 mm

Präparierscheren  
Dissecting Scissors



Art.Nr.	Beschreibung   Description	Size	Spez.
	METZENBAUM-FINO	14,5cm; 5 3/4"	



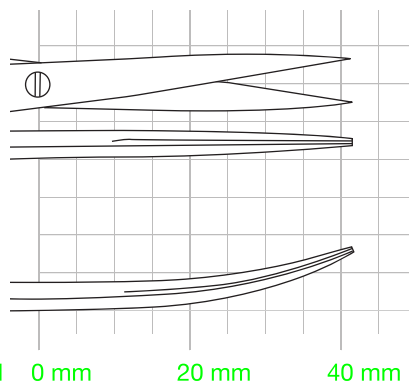
011-120-14

011-121-14

1/1 0 mm 20 mm 40 mm

METZENBAUM-FINO

14,5cm; 5 3/4"



011-124-14

011-125-14

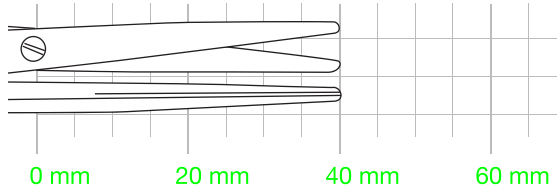
1/1 0 mm 20 mm 40 mm

Art.Nr. Beschreibung | Description Size Spez.

**METZENBAUM-FINO**

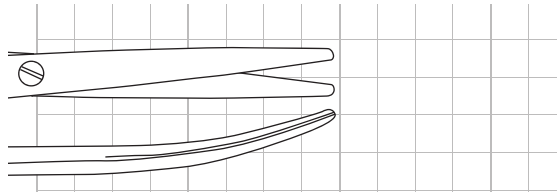


011-120-18



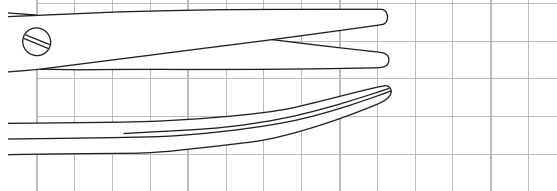
18,0cm; 7"

011-121-18



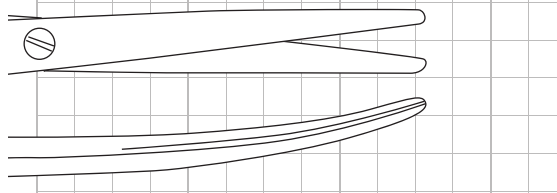
18,0cm; 7"

011-121-20



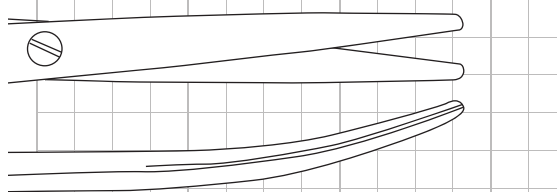
20,5cm; 8"

011-121-23



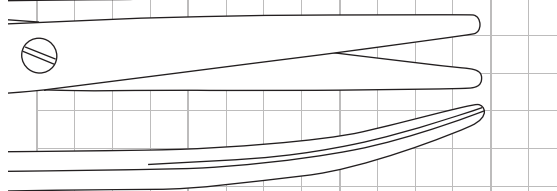
23,0cm; 9"

011-121-25



26,0cm; 10 1/4"

011-121-28



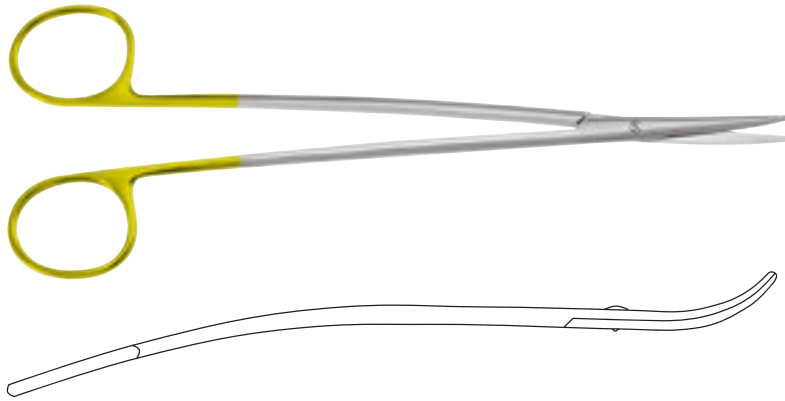
28,5cm; 11 1/4"



Präparierscheren  
Dissecting Scissors

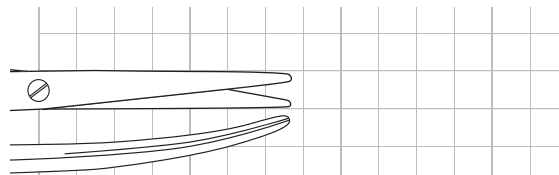


Art.Nr.	Beschreibung   Description	Size	Spez.
METZENBAUM-FINO S			



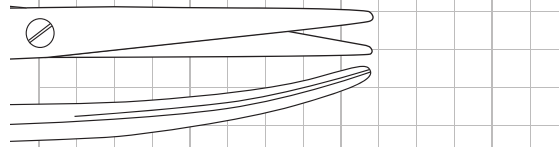
011

011-127-18



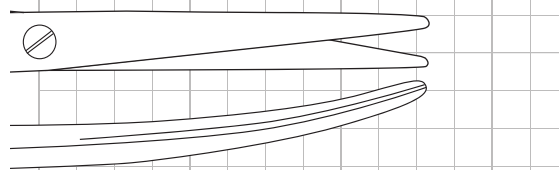
18,0cm; 7"

011-127-20



20,5cm; 8"

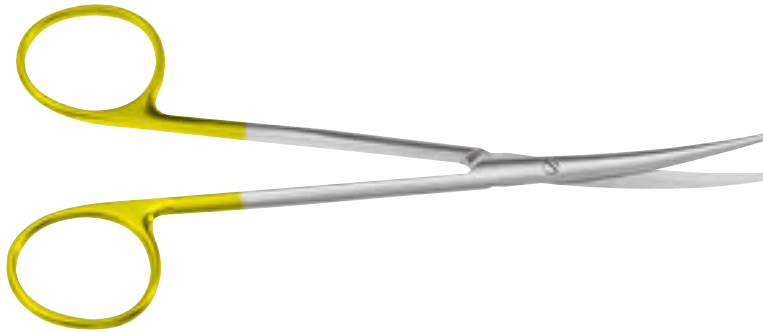
011-127-23



23,0cm; 9"

1/1 0 mm 20 mm 40 mm 60 mm

Art.Nr.	Beschreibung   Description	Size	Spez.
METZENBAUM-LAHEY			



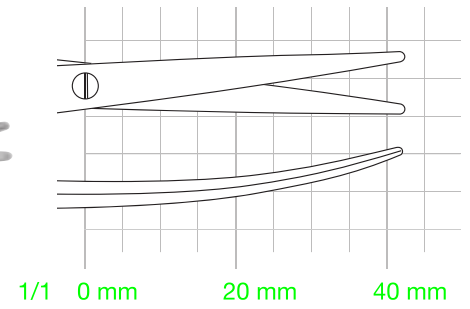
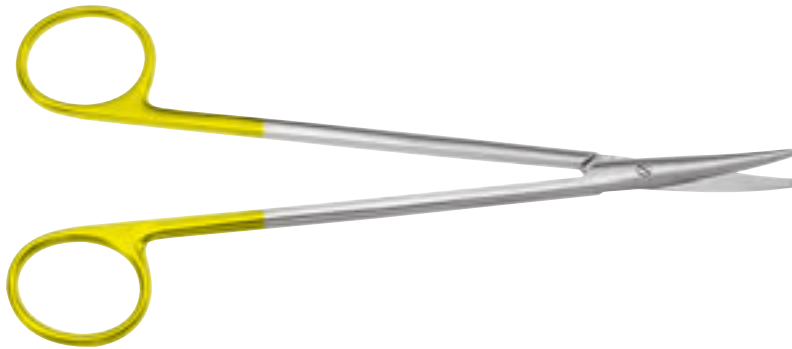
011-137-14		14,0cm; 5 1/2"
011-137-20		20,5cm; 8"
011-137-23		23,0cm; 9"

1/1 0 mm 20 mm 40 mm 60 mm

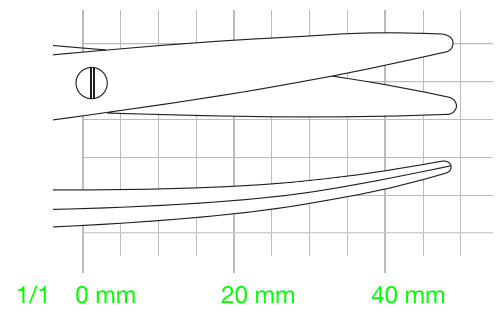
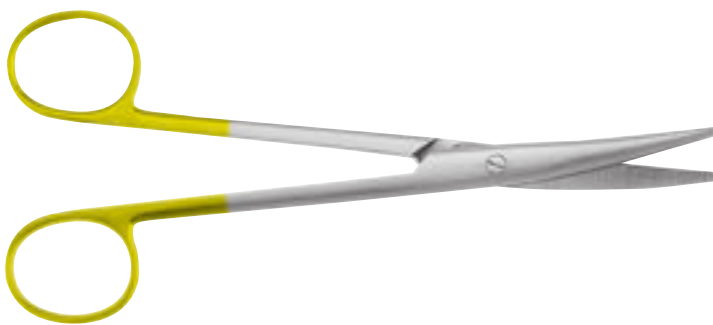
Präparierscheren  
Dissecting Scissors



Art.Nr.	Beschreibung   Description	Size	Spez.
011-139-17	TOENNIS-ADSON	17,0cm; 6 3/4"	



011-145-16	MAYO-LEXER	16,0cm; 6 1/4"	
------------	------------	----------------	--



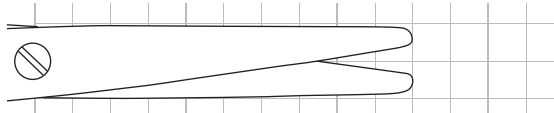
011

Art.Nr.	Beschreibung   Description	Size	Spez.
---------	----------------------------	------	-------

LEXER



011-140-16



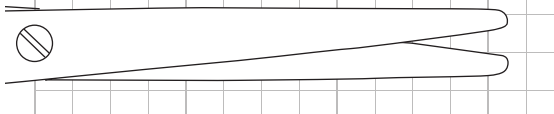
16,0cm; 6 1/4"

011-141-16



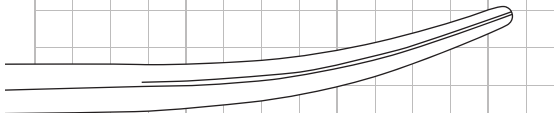
16,0cm; 6 1/4"

011-140-21



21,0cm; 8 1/4"

011-141-21



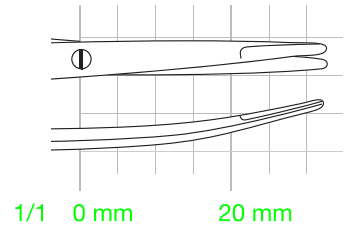
21,0cm; 8 1/4"

1/1 0 mm 20 mm 40 mm 60 mm

Präparierscheren  
Dissecting Scissors



Art.Nr.	Beschreibung   Description	Size	Spez.
011-201-12	RAGNELL	12,5cm; 5"	



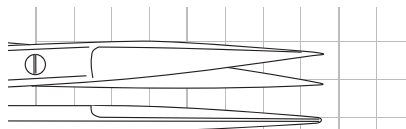
1/1 0 mm 20 mm

JOSEPH

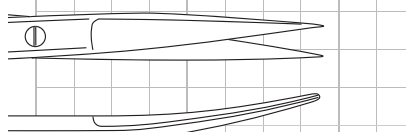
14,0cm; 5 1/2"



011-228-14



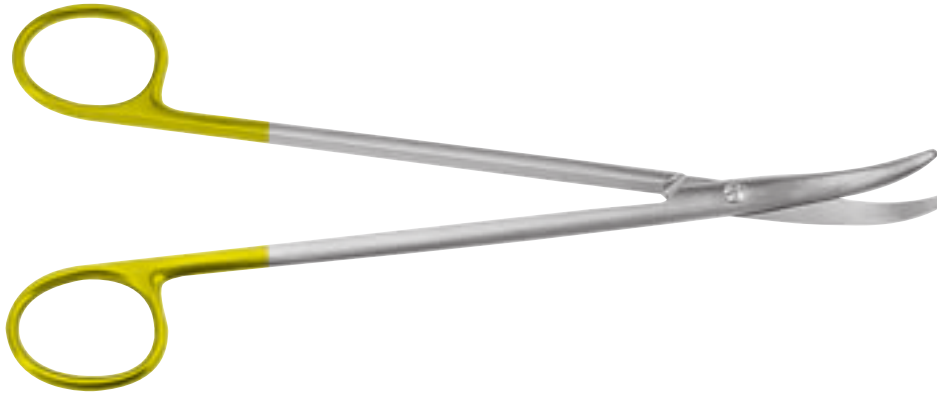
011-229-14



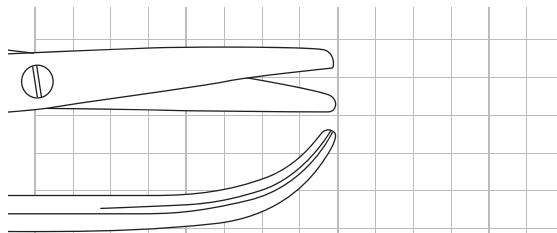
1/1 0 mm 20 mm 40 mm

011

Art.Nr.	Beschreibung   Description	Size	Spez.
METZENBAUM-THOREK			

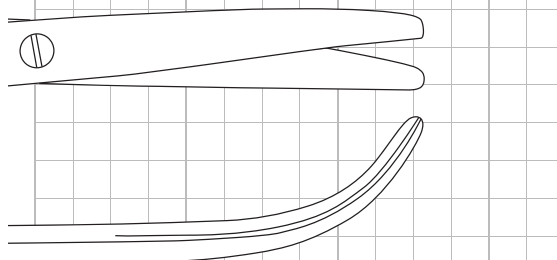


011-217-20



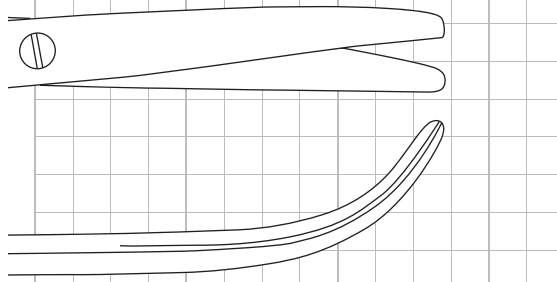
20,0cm; 8"

011-217-23



23,0cm; 9"

011-217-28



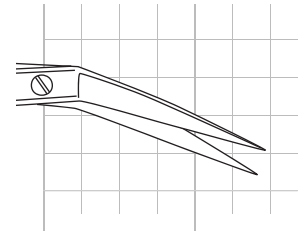
28,0cm; 11"

1/1 0 mm 20 mm 40 mm 60 mm

Irisscheren  
Iris Scissors



Art.Nr.	Beschreibung   Description	Size	Spez.
011-263-11		11,5cm; 4 1/2"	



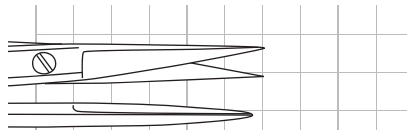
1/1 0 mm 20 mm

IRIS

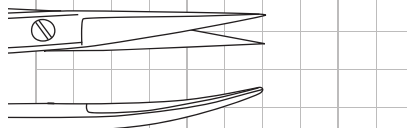
11,5cm; 4 1/2"



011-244-11



011-245-11



1/1 0 mm 20 mm 40 mm

011

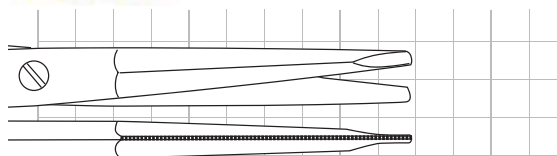
Face-Lift Scheren  
Face-Lift Scissors

Art.Nr. Beschreibung | Description Size Spez.

GORNEY

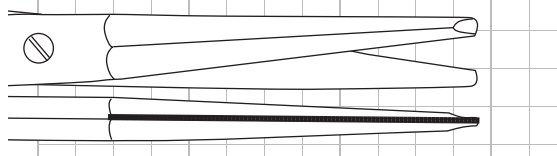


011-332-20



20,0cm; 8"

011-332-23



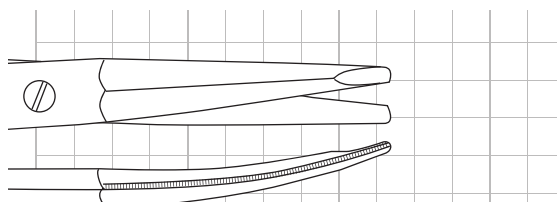
23,0cm; 9"

1/1 0 mm 20 mm 40 mm 60 mm

011-335-17

REES

17,0cm; 6 3/4"



1/1 0 mm 20 mm 40 mm 60 mm

011



Gefäßscheren  
Vascular Scissors



Art.Nr. Beschreibung | Description Size Spez.

DE BAKEY



18,0cm; 7"

23,0cm; 9"

25°

011-543-25

011-545-25

45°

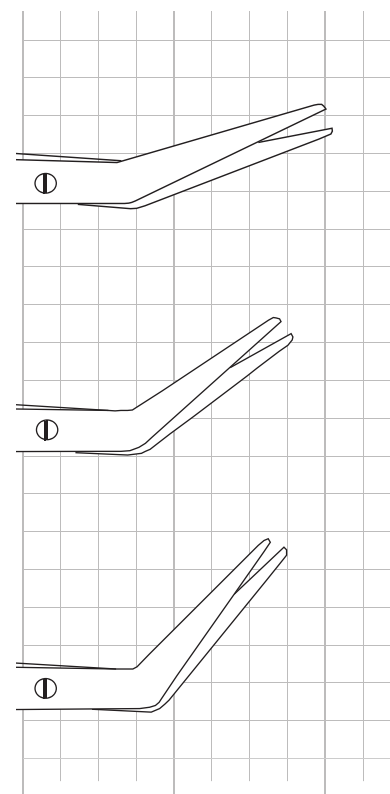
011-543-45

011-545-45

60°

011-543-60

011-545-60



1/1 0 mm 20 mm 40 mm

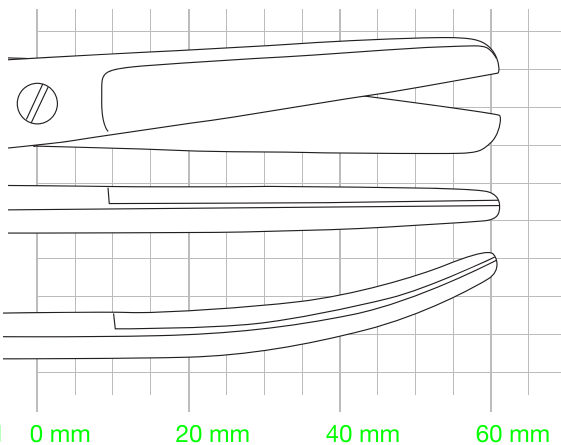
011

Gynäkologische Scheren; Chirurgische Scheren  
Gynecological Scissors; Operating Scissors

Art.Nr.	Beschreibung   Description	Size	Spez.
---------	----------------------------	------	-------

SIMS

23,0cm; 9"



011-600-23

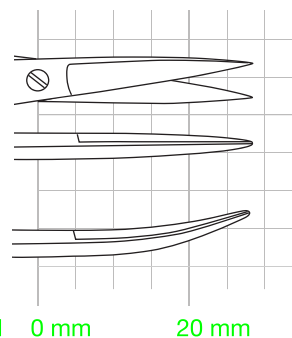
011-601-23

1/1 0 mm 20 mm 40 mm 60 mm

KELLY

16,0cm; 6 1/4"

Fistelscheren | Fistula Scissors



011-634-16

011-635-16

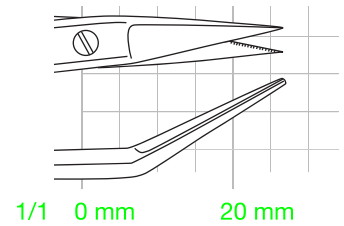
1/1 0 mm 20 mm

011

Zahnfleischscheren  
Gum Scissors

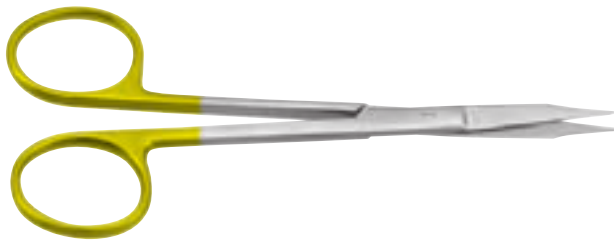


Art.Nr.	Beschreibung   Description	Size	Spez.
011-893-17	DEAN	17,0cm; 6 3/4"	

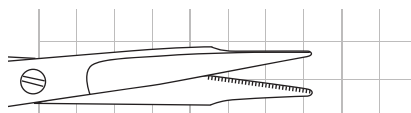


GOLDMANN-FOX

13,0cm; 5"



011-880-13




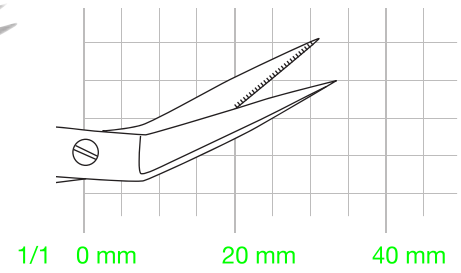
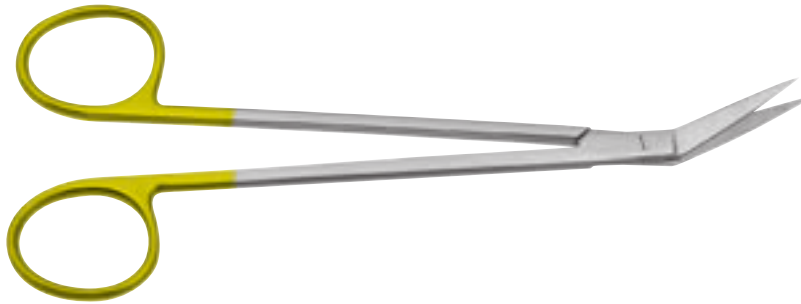
011-881-13

1/1 0 mm 20 mm 40 mm

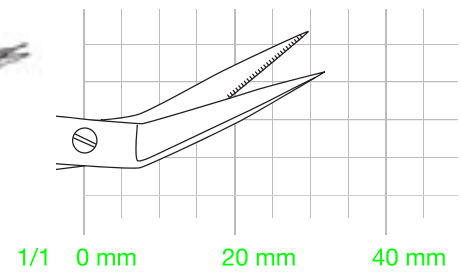
011

Zahnfleischscheren  
Gum Scissors

Art.Nr.	Beschreibung   Description	Size	Spez.
011-890-16	LOCKLIN	16,0cm; 6 1/4"	

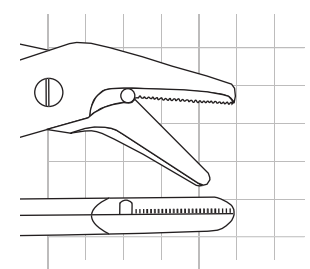


011-891-16	LOCKLIN	16,0cm; 6 1/4"	
------------	---------	----------------	---



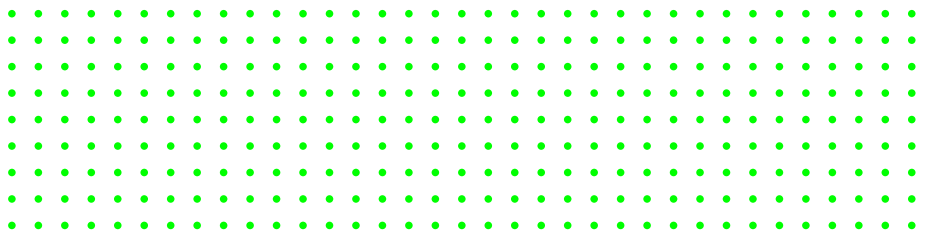
Drahtscheren  
Wire cutting Scissors



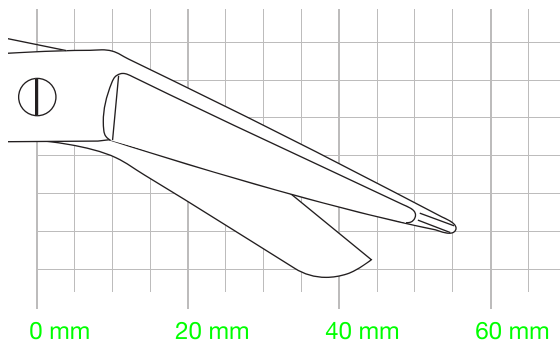
Art.Nr.	Beschreibung   Description	Size	Spez.
011-800-12	UNIVERSAL	12,0cm; 4 3/4"	
		 <p data-bbox="1165 840 1468 878">1/1 0 mm 20 mm</p>	

011

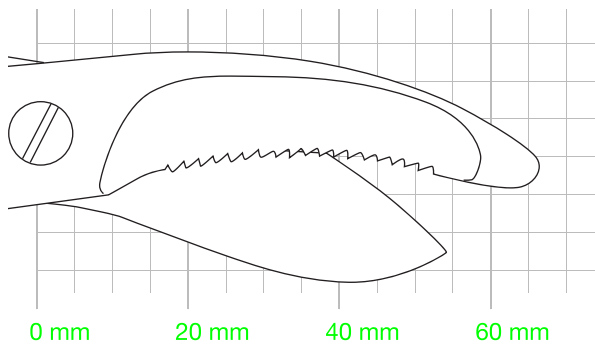
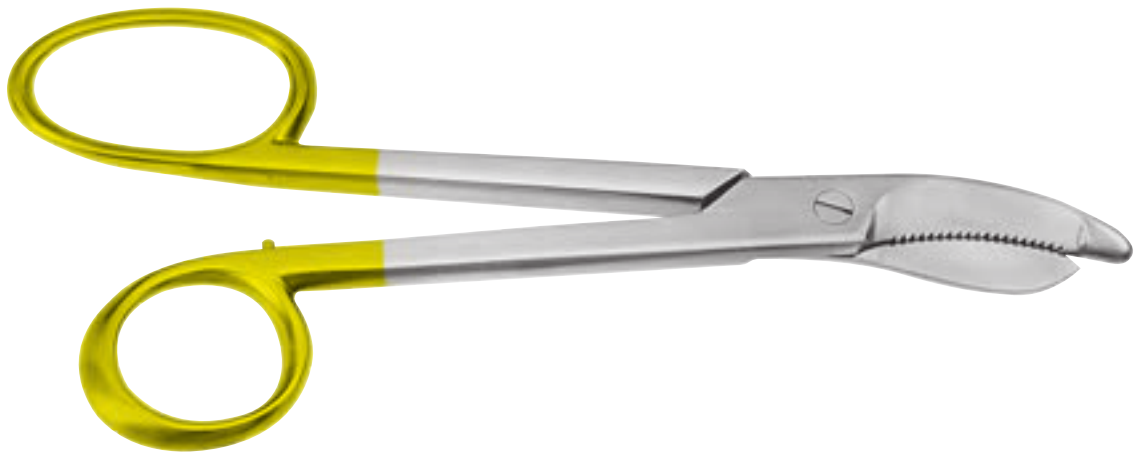
Verbandscheren; Gipsscheren  
Bandage Scissors; Plaster shears



Art.Nr.	Beschreibung   Description	Size	Spez.
011-900-18	LISTER	18,0cm; 7"	



011-909-24	BRUNS	24,0cm; 9 1/2"	
------------	-------	----------------	---



011



Art.Nr.	Beschreibung   Description	Size	Spez.
<b>Other items available but not illustrated</b>			
011-000-16	TC STANDARD operating scissors straight; blunt/blunt	16,5cm; 6,6"	
011-000-18	TC STANDARD operating scissors straight; blunt/blunt	18,5cm; 7,4"	
011-001-16	TC STANDARD operating scissors; curved; blunt/blunt	16,5cm; 6,6"	
011-001-18	TC STANDARD operating scissors; curved; blunt/blunt	18,5cm; 7,4"	
011-002-16	TC STANDARD operating scissors; straight; sharp/blunt	16,5cm; 6,6"	
011-002-18	TC STANDARD operating scissors; straight; sharp/blunt	18,5cm; 7,4"	
011-003-16	TC STANDARD operating scissors; curved; sharp/blunt	16,5cm; 6,6"	
011-003-18	TC STANDARD operating scissors; curved; sharp/blunt	18,5cm; 7,4"	
011-004-16	TC STANDARD operating scissors; straight; sharp/sharp	16,5cm; 6,6"	
011-004-18	TC STANDARD operating scissors; straight; sharp/sharp	18,5cm; 7,4"	
011-005-16	TC STANDARD operating scissors curved; sharp/sharp	16,5cm; 6,6"	
011-005-18	TC STANDARD operating scissors curved; sharp/sharp	18,5cm; 7,4"	
011-101-17S	TC MAYO dissecting scissors; curved; blunt/blunt; serrated	17,0cm; 6,8"	
011-111-18SC	TC METZENBAUM dissecting scissors curved; blunt/blunt; SC	18,0cm; 7,2"	
011-115-20	TC METZENBAUM dissecting scissors curved; sharp/sharp	20,0cm; 8"	
011-115-23	TC METZENBAUM dissecting scissors curved; sharp/sharp	23,0cm; 9,2"	
011-115-25	TC METZENBAUM dissecting scissors curved; sharp/sharp	25,0cm; 10,0"	
011-120-20	TC METZENBAUM-FINO dissecting scissors straight; blunt/blunt	20,0cm; 8"	
011-120-23	TC METZENBAUM-FINO dissecting scissors straight; blunt/blunt	23,0cm; 9,2"	
011-120-25	TC METZENBAUM-FINO dissecting scissors straight; blunt/blunt	25,0cm; 10"	
011-121-16	TC METZENBAUM-FINO dissecting scissors curved; blunt/blunt	16,5cm; 6,6"	
011-124-18	TC METZENBAUM-FINO dissecting scissors straight; sharp/sharp	18,0cm; 7,2"	
011-124-20	TC METZENBAUM-FINO dissecting scissors straight; sharp/sharp	20,0cm; 8"	
011-124-23	TC METZENBAUM-FINO dissecting scissors straight; sharp/sharp	23,0cm; 9,2"	
011-125-18	TC METZENBAUM-FINO dissecting scissors curved; sharp/sharp	18,0cm; 7,2"	
011-125-20	TC METZENBAUM-FINO dissecting scissors curved; sharp/sharp	20,0cm; 8"	
011-125-23	TC METZENBAUM-FINO dissecting scissors curved; sharp/sharp	23,0cm; 9,2"	
011-125-30	TC METZENBAUM-FINO dissecting scissors curved; sharp/sharp	30,0cm; 12,0"	

011

Weitere Artikel  
further items

Art.Nr.	Beschreibung   Description	Size	Spez.
<b>Other items available but not illustrated</b>			
011-129-18	TC METZENBAUM-FINO dissecting scissors S-shaped; sharp/sharp	18,0cm; 7,2"	
011-129-20	S-shaped; sharp/sharp	20,0cm; 8"	
011-129-23	S-shaped; sharp/sharp	23,0cm; 9,2"	
011-210-15	TC REYNOLDS dissecting scissors straight; sharp/sharp	15,0cm; 6"	
011-211-15	curved; blunt/blunt		
011-240-11	TC STRABISMUS delicate oper. scissors straight; blunt/blunt	11,5cm; 4,6"	
011-241-11	curved; blunt/blunt		
011-245-11S	TC IRIS delicate operating scissors curved; sharp/sharp; serrated	11,5cm; 4,6"	
011-250-11	straight; sharp/sharp; round shanks		
011-251-11	TC IRIS delicate operating scissors curved; sharp/sharp; round shanks	11,5cm; 4,6"	
011-257-11	TC LA GRANGE gum scissors; S-shaped; curved; 1 Blade serrated	11,5cm; 4,6"	
011-291-11	TC STEVENS tendon scissors curved; sharp/sharp	11,5cm; 4,6"	
011-294-11	straight; blunt/blunt		
011-295-11	curved; blunt/blunt		
011-511-16	TC COTTLE nasal scissors; angled; blunt/blunt	16,0cm; 6,4"	
011-548-24	TC POTTS DE MARTEL vascular scissors; angled	23,0cm; 9,2"	
011-550-12	TC HEGEMANN-DIETHRICH vascular scissors 125° angled; sharp/sharp	18,0cm; 7,2"	
011-550-25	25° angled; sharp/sharp		
011-550-45	45° angled; sharp/sharp		
011-550-60	60° angled; sharp/sharp		
011-550-90	90° angled; sharp/sharp		
011-551-25	TC POTTS-SMITH vascular scissors 25° angled; sharp/sharp	19,0cm; 7,6"	
011-551-40	40° angled; sharp/sharp		
011-551-60	TC POTTS-SMITH vascular scissors; 60° angled; sharp/sharp	19,0cm; 7,6"	



Weitere Artikel  
further items



Art.Nr.	Beschreibung   Description	Size	Spez.
<b>Other items available but not illustrated</b>			
011-600-20	TC SIMS gynecological scissors straight; blunt/blunt	20,0cm; 8"	
011-601-20	curved; blunt/blunt		
011-663-25	TC HYSTERECTOMY dissecting scissors; curved; blunt/blunt	25,5cm; 10,2"	
011-686-30	TC BLESSING rectum scissors; curved	30,0cm; 12"	
011-885-13	TC GOLDMAN-FOX gum scissors; S-shaped; sharp/sharp	13,0cm; 5,2"	

# Super Cut

*black*

1.4021

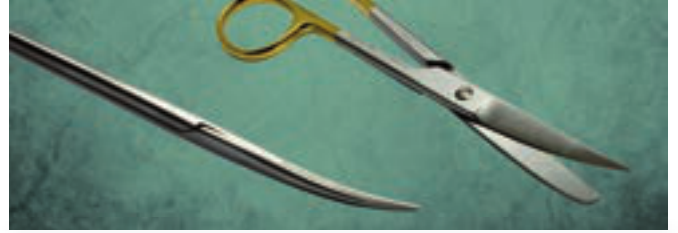
*serrated*

*curved*

*sharp*

Super Cut Scheren  
Super Cut Scissors

012



## Super-Cut



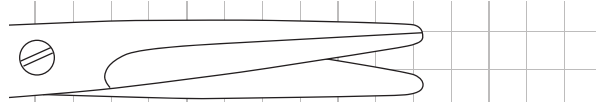

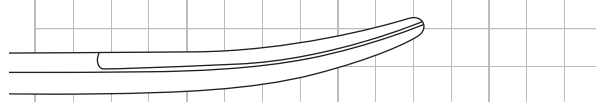


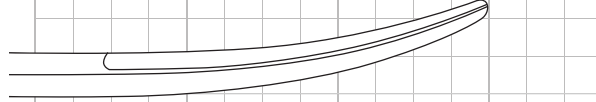




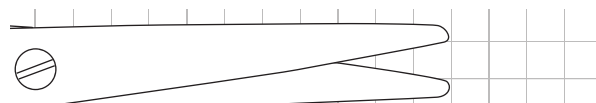
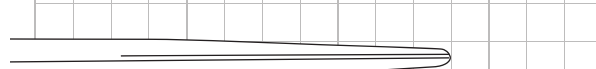
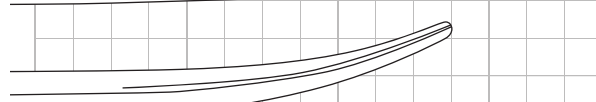
Schwarze Ringe  
black-plated rings

Messerschiff für optimalen Schnitt  
knife edges for optimum cutting

1 gezahntes Blatt verhindert das Herausgleiten des Gewebes  
1 serrated blade prevents tissue from slipping out

Präparierscheren  
Dissecting Scissors

Art.Nr.	Beschreibung   Description	Size	Spez.
	MAYO		
			
			
012-100-14		14,5cm; 5 3/4"	
012-101-14		14,5cm; 5 3/4"	
			
012-100-17		17,0cm; 6 3/4"	
012-101-17		17,0cm; 6 3/4"	
	1/1 0 mm 20 mm 40 mm 60 mm		

	MAYO-STILLE	17,0cm; 6 3/4"	
			
			
012-102-17			
012-103-17			
	1/1 0 mm 20 mm 40 mm 60 mm		

012

Präparierscheren  
Dissecting Scissors



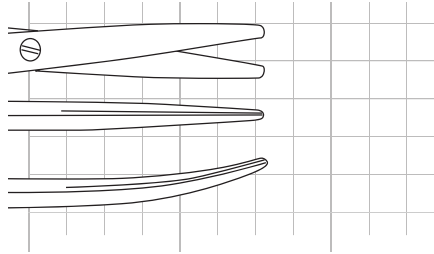
Art.Nr.	Beschreibung   Description	Size	Spez.
---------	----------------------------	------	-------

BABY-METZENBAUM

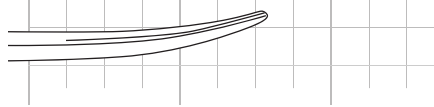
11,5cm; 4 1/2"



012-110-11



012-111-11



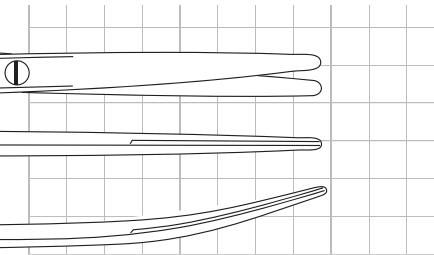
1/1 0 mm 20 mm 40 mm

METZENBAUM

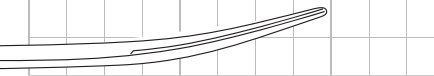
14,5cm; 5 3/4"



012-110-14



012-111-14

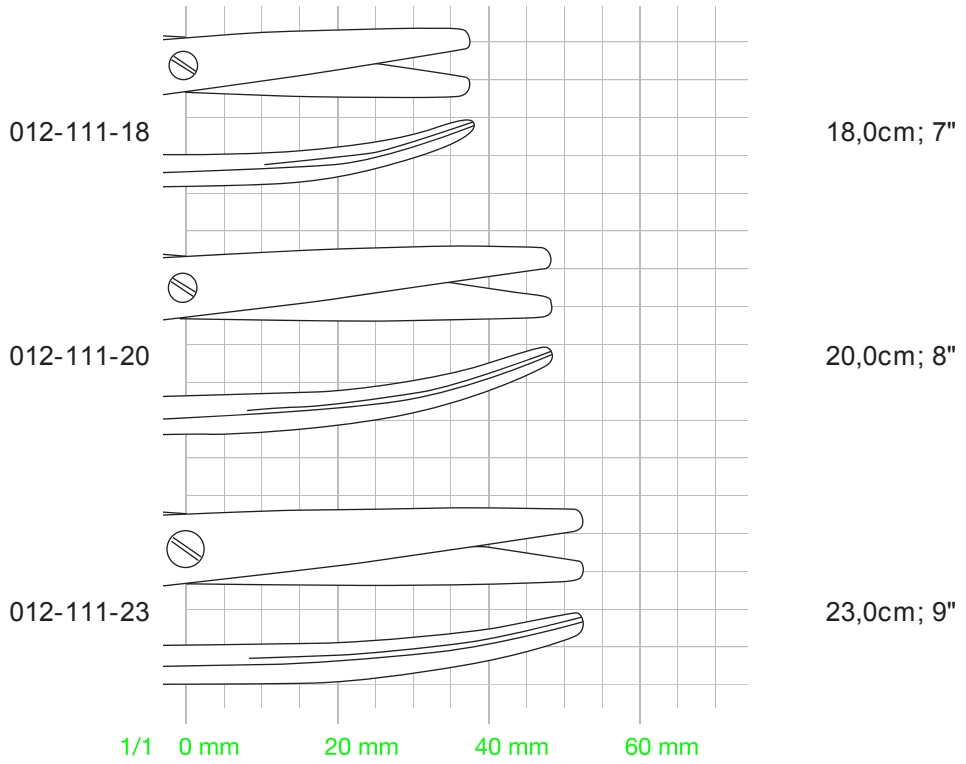
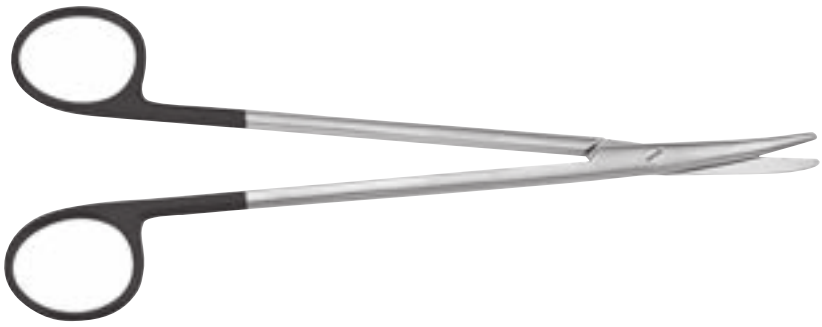


1/1 0 mm 20 mm 40 mm

012

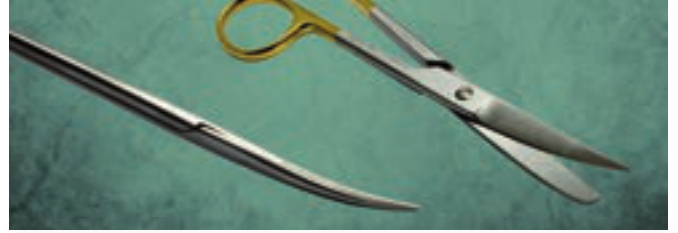
Art.Nr.	Beschreibung   Description	Size	Spez.
---------	----------------------------	------	-------

METZENBAUM-NELSON



012

Präparierscheren  
Dissecting Scissors



Art.Nr.	Beschreibung   Description	Size	Spez.
	<b>METZENBAUM-FINO</b>		
012-121-14		14,5cm; 5 3/4"	
012-121-18		18,0cm; 7"	
012-121-20		20,5cm; 8"	
012-121-23		23,0cm; 9"	
	1/1 0 mm 20 mm 40 mm 60 mm		

012-139-17	<b>TOENNIS-ADSON</b>	17,0cm; 6 3/4"	
		1/1 0 mm 20 mm 40 mm	

012

Irisscheren  
Iris Scissors

Art.Nr.	Beschreibung   Description	Size	Spez.
---------	----------------------------	------	-------

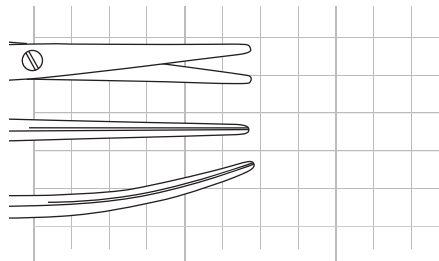
STRABISMUS

11,5cm; 4 1/2"



012-240-11

012-241-11



1/1 0 mm 20 mm 40 mm

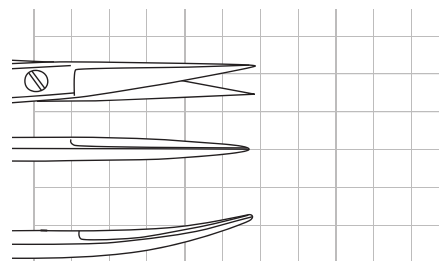
IRIS

11,5cm; 4 1/2"



012-244-11

012-245-11


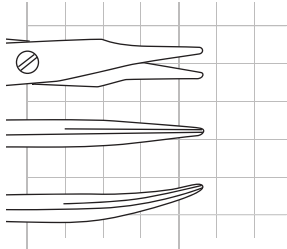




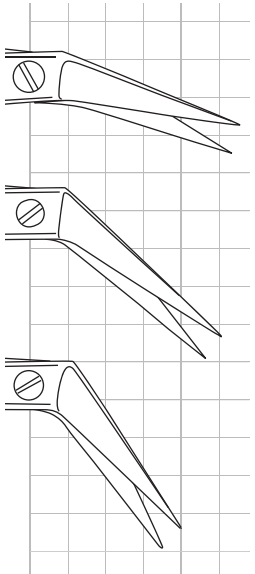

1/1 0 mm 20 mm 40 mm



Sehnenscheren; Gefäßscheren  
Tendon Scissors; Vascular Scissors



Art.Nr.	Beschreibung   Description	Size	Spez.
	<p><b>STEVENS</b></p>   <p>012-290-11</p> <p>012-291-11</p> <p>1/1 0 mm 20 mm</p>	11,5cm; 4 1/2"	

	<p><b>POTTS-SMITH</b></p>   <p>012-551-25 25°</p> <p>012-551-45 45°</p> <p>012-551-60 60°</p> <p>1/1 0 mm 20 mm</p>	19,0cm; 7 1/2"	
--	--	----------------	---

012

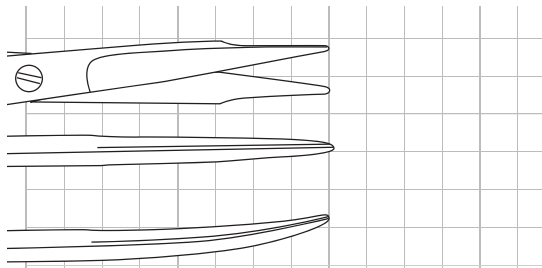
Art.Nr.	Beschreibung   Description	Size	Spez.
---------	----------------------------	------	-------

GOLDMANN-FOX

13,0cm; 5"



012-880-13



012-881-13

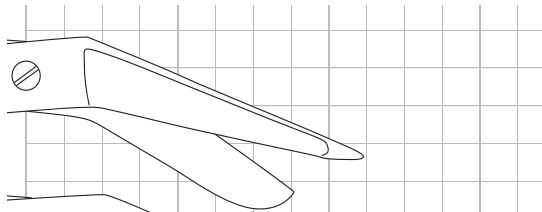
1/1 0 mm 20 mm 40 mm 60 mm

LISTER



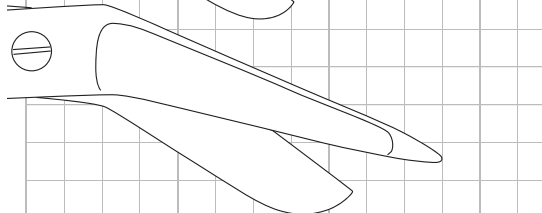
012-900-14

14,0cm; 5 1/2"

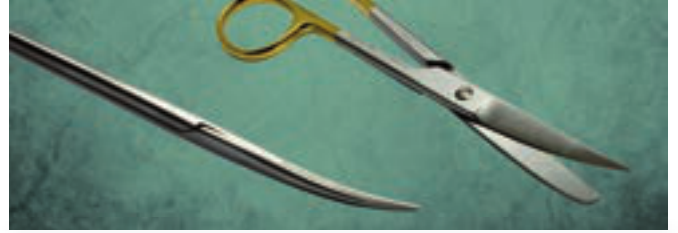


012-900-18

18,0cm; 7"



1/1 0 mm 20 mm 40 mm 60 mm

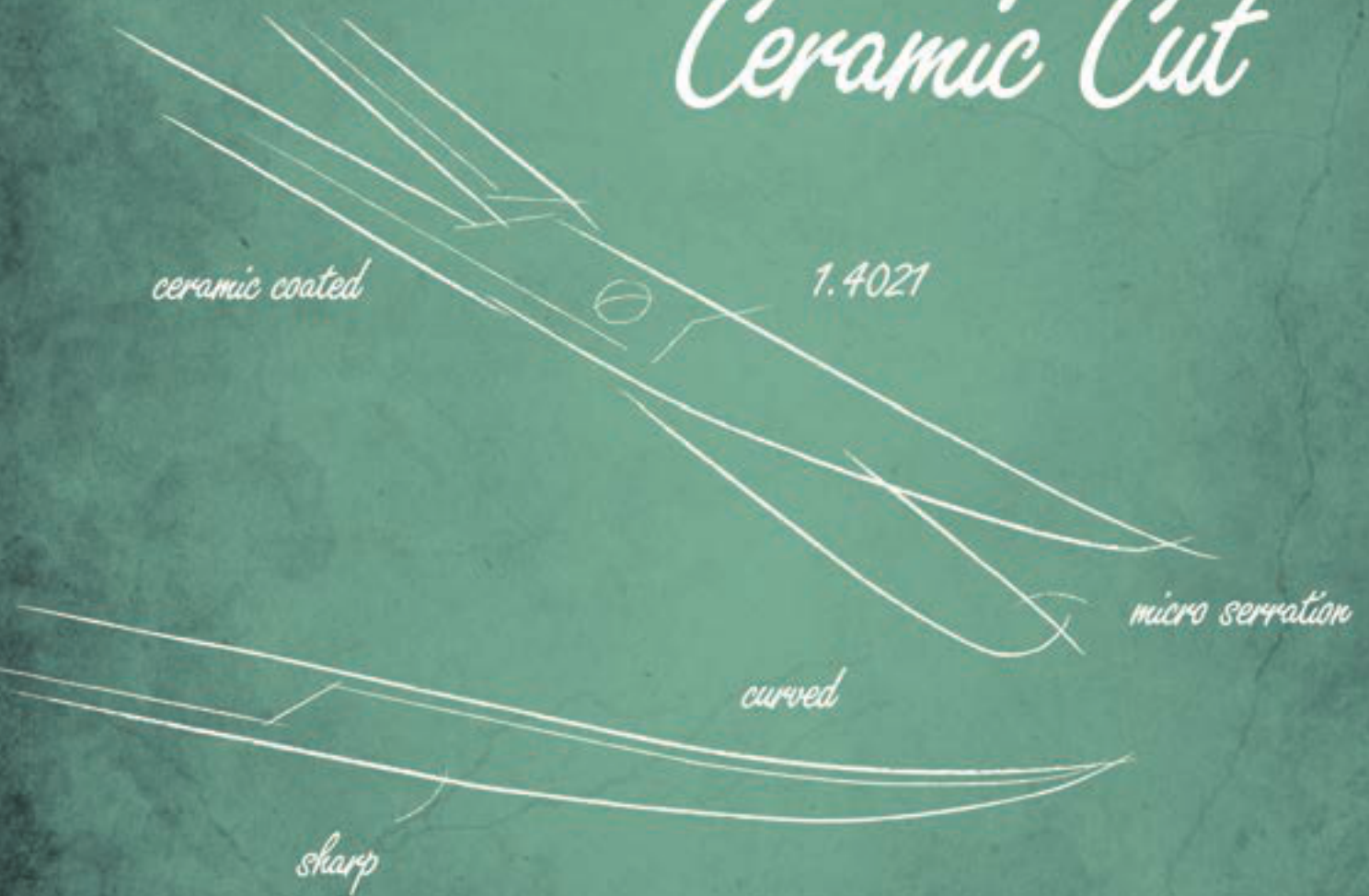


Art.Nr.	Beschreibung   Description	Size	Spez.
<b>Other items available but not illustrated</b>			
012-000-14	SC STANDARD operating scissors straight; blunt/blunt	14,5cm; 5,8"	
012-002-13	straight; sharp/blunt	13,0cm; 5,2"	
012-002-14	straight; sharp/blunt	14,5cm; 5,8"	
012-003-13	curved; sharp/blunt	13,0cm; 5,2"	
012-003-14	curved; sharp/blunt	14,5cm; 5,8"	
012-100-19	SC MAYO dissecting scissors gerade, blunt/blunt	19,0cm; 7,6"	
012-100-23	straight; blunt/blunt	23,0cm; 9,2"	
012-101-19	curved; blunt/blunt	19,0cm; 7,6"	
012-101-23	curved; blunt/blunt	23,0cm; 9,2"	
012-103-15	SC MAYO-STILLE dissecting scissors; curved; blunt/blunt	15,0cm; 6"	
012-110-18	SC METZENBAUM dissecting scissors straight; blunt/blunt	18,0cm; 7,2"	
012-110-20	straight; blunt/blunt	20,0cm; 8"	
012-110-23	straight; blunt/blunt	23,0cm; 9,2"	
012-111-26	curved; blunt/blunt	26,0cm; 10,4"	
012-111-28	curved; blunt/blunt	28,0cm; 11,2"	
012-111-30	curved; blunt/blunt	30,0cm; 12,0"	
012-121-28	SC METZENBAUM-FINO dissecting scissors; curved; blunt/blunt	28,0cm; 11,2"	
012-129-15	SC KAYE Facelift scissors curved; blunt/blunt	15,0cm; 6"	
012-129-19	curved; blunt/blunt	19,0cm; 7,6"	
012-130-13	SC JABALEY delicate operating scissors; straight; sharp/sharp	13,0cm; 5,2"	
012-139-17	SC TOENNIS-ADSON dissecting scissors; curved	17,5cm; 7"	
012-201-12	SC KILNER dissecting scissors curved; blunt/blunt	12,0cm; 4,8"	
012-201-18	curved, blunt/blunt	18,0cm; 7,2"	
012-210-12	SC REYNOLDS dissecting scissors straight; sharp/sharp	12,0cm; 4,8"	
012-211-18	curved; sharp/sharp	18,0cm; 7,2"	
012-218-15	SC JAMISON dissecting scissors; straight; blunt/blunt	15,0cm; 6"	

Weitere Artikel  
further items

Art.Nr.	Beschreibung   Description	Size	Spez.
<b>Other items available but not illustrated</b>			
012-218-18	SC JAMISON dissecting scissors straight; blunt/blunt	18,0cm; 7,2"	
012-219-18	curved; blunt/blunt		
012-235-12	SC WAGNER dissecting scissors; curved; sharp/sharp	12,0cm; 4,8"	
012-244-09	SC IRIS delicate operating scissors straight; sharp/sharp	9,0cm; 3,6"	
012-245-10	curved; sharp/sharp	10,5cm, 4,2"	
012-257-11	SC LA GRANGE gum scissors; S-shaped; curved; 1 Blade serrated	11,5cm; 4,6"	
012-290-10	SC STEVENS tedon scissors; straight sharp/sharp	10,5cm; 4,2"	
012-294-10	straight; blunt/blunt		
012-343-15	SC FOMON nasal scissors; angled; blunt/blunt	13,5cm; 5,4"	
012-511-16	SC COTTLE nasal scissors; angled; blunt/blunt	16,0cm; 6,4"	
012-550-45	SC HEGEMANN-DIETHRICH vascular scissors 45° angled; sharp/sharp	19,0cm; 7,6"	
012-551-90	SC POTTS-SMITH vascular scissors; 90° angled; sharp/sharp	19,0cm; 7,6"	
012-562-17	SC FAVALORO vascular scissors; curved; 130°	17,0cm; 6,8"	
012-634-16	SC KELLY f stula scissors straight; sharp/sharp	16,0cm; 6,4"	
012-635-16	curved; sharp/sharp		
012-703-20	SC Episiotomy scissors; curved	20,0cm; 8"	
012-900-20	SC LISTER bandage scissors; angled	20,0cm; 8"	

# Ceramic Cut



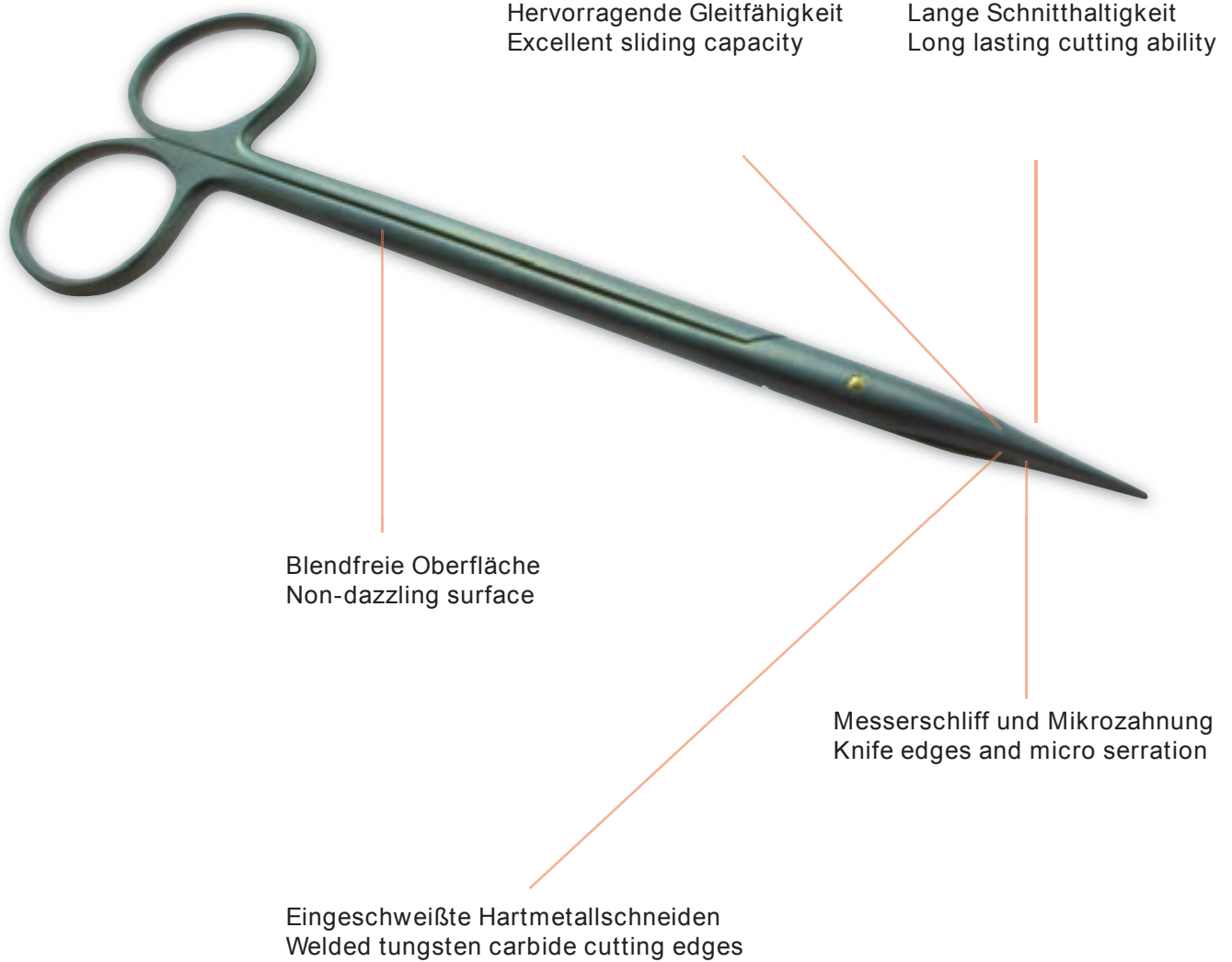
Scheren mit Keramikbeschichtung  
Scissors with Ceramic Coating

014

Scheren mit Keramikbeschichtung  
Scissors with Ceramic Coating

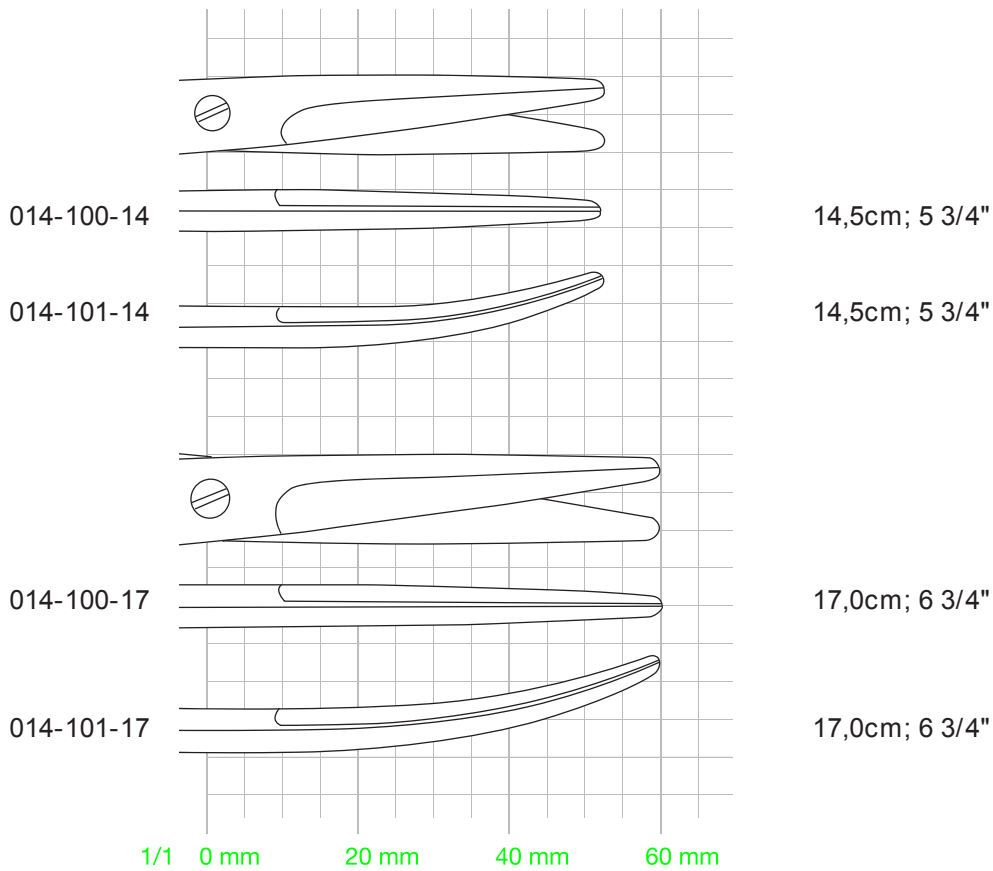


## Ceramic Cut



Art.Nr. Beschreibung | Description Size Spez.

MAYO



Präparierscheren; Irisscheren  
Dissecting Scissors; Iris Scissors



Art.Nr.	Beschreibung   Description	Size	Spez.
	MAYO-STILLE		
014-102-15		15,0cm; 6"	
014-103-15		15,0cm; 6"	
014-102-17		17,0cm; 6 3/4"	
014-103-17		17,0cm; 6 3/4"	
	1/1 0 mm 20 mm 40 mm 60 mm		

	IRIS	11,5cm; 4 1/2"	
014-244-11			
014-245-11			
	1/1 0 mm 20 mm 40 mm		

014



Art.Nr.	Beschreibung   Description	Size	Spez.
	<b>METZENBAUM</b>	14,5cm; 5 3/4"	
014-110-14			
014-111-14			
	1/1 0 mm 20 mm 40 mm		

Art.Nr.	Beschreibung   Description	Size	Spez.
	<b>METZENBAUM-NELSON</b>		
014-110-18		18,0cm; 7"	
014-111-18		18,0cm; 7"	
014-110-20		20,0cm; 8"	
014-111-20		20,0cm; 8"	
014-110-23		23,0cm; 9"	
014-111-23		23,0cm; 9"	
	1/1 0 mm 20 mm 40 mm 60 mm		

Präparierscheren  
Dissecting Scissors

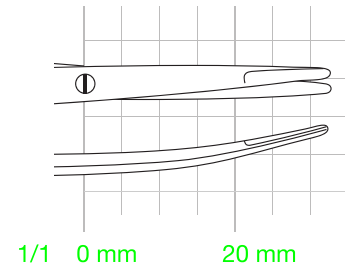


Art.Nr.	Beschreibung   Description	Size	Spez.
---------	----------------------------	------	-------

014-201-12

KILNER

12,5cm; 5"



METZENBAUM-FINO



014-120-14

14,5cm; 5 3/4"

014-121-14

14,5cm; 5 3/4"

014-120-18

18,0cm; 7"

014-121-18

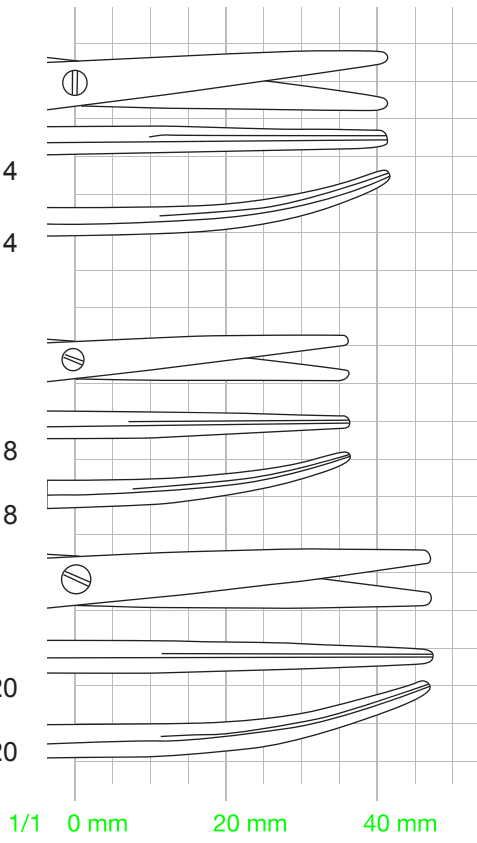
18,0cm; 7"

014-120-20

20,5cm; 8"

014-121-20

20,5cm; 8"



014

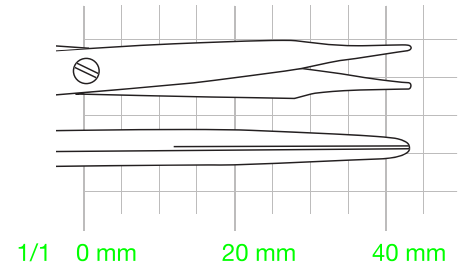
Präparierscheren  
Dissecting Scissors

Art.Nr.	Beschreibung   Description	Size	Spez.
---------	----------------------------	------	-------

014-210-15

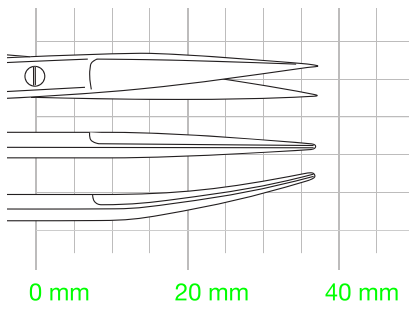
REYNOLDS

15,0cm; 6"



JOSEPH

14,0cm; 5 1/2"



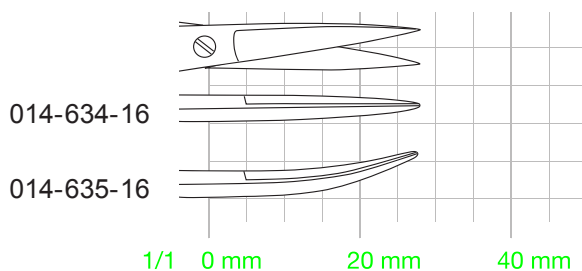
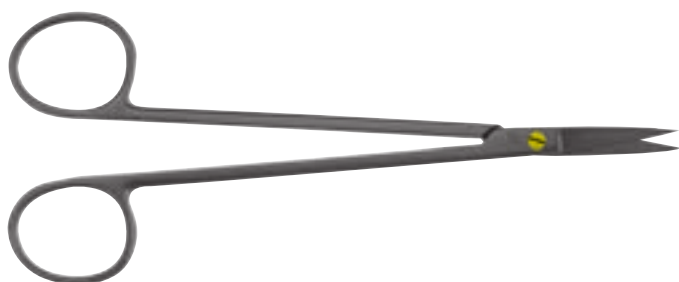
014-228-14

014-229-14

Chirurgische Scheren; Gefäßscheren  
 Operating Scissors; Vascular Scissors

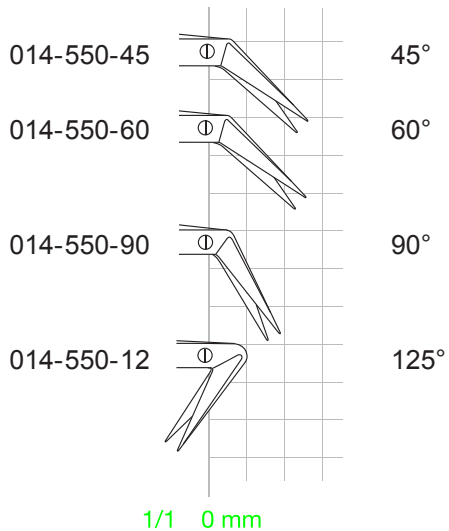
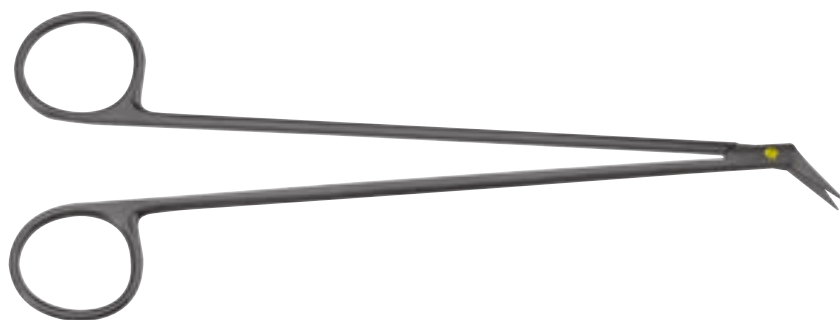


Art.Nr.	Beschreibung   Description	Size	Spez.
	KELLY Fistelscheren   Fistula Scissors	16,0cm; 6 1/4"	



DIETRICH-HEGEMANN

18,0cm; 7"



014

Weitere Artikel  
further items

Art.Nr.	Beschreibung   Description	Size	Spez.
<b>Other items available but not illustrated</b>			
014-000-14	CC STANDARD operating scissors straight; blunt/blunt	14,5cm; 5,8"	
014-001-14	curved; blunt/blunt		
014-002-14	straight; sharp/blunt		
014-003-14	curved; sharp/blunt		
014-004-14	straight; sharp/sharp		
014-005-14	curved; sharp/sharp		
014-100-23	CC MAYO dissecting scissors straight; blunt/blunt	23,0cm; 9,2"	
014-101-16	curved; blunt/blunt	16,0cm; 6,4"	
014-101-23	CC MAYO dissecting scissors; curved; blunt/blunt	23,0cm; 9,2"	
014-110-11	CC BABY-METZENBAUM dissecting scissors straight; blunt/blunt	17,0cm; 6,8"	
014-110-25	CC METZENBAUM dissecting scissors straight; blunt/blunt	25,0cm; 10"	
014-110-28	straight; blunt/blunt	28,0cm; 11,2"	
014-110-30	straight; blunt/blunt	30,0cm; 12,0"	
014-111-11	CC BABY-METZENBAUM dissecting scissors curved; blunt/blunt	11,5cm; 4,6"	
014-111-25	CC METZENBAUM dissecting scissors curved; blunt/blunt	25,0cm; 10"	
014-111-28	curved; blunt/blunt	28,0cm; 11,2"	
014-111-30	curved; blunt/blunt	30,0cm; 12,0"	
014-120-23	CC METZENBAUM-FINO dissecting scissors straight; blunt/blunt	23,0cm; 9,2"	
014-120-25	straight; blunt/blunt	25,0cm; 10"	
014-120-28	straight; blunt/blunt	28,0cm; 11,2"	
014-121-23	curved; blunt/blunt	23,0cm; 9,2"	
014-121-25	curved; blunt/blunt	25,0cm; 10"	
014-121-28	curved; blunt/blunt	28,0cm; 11,2"	
014-127-18	s-shaped; curved; blunt/blunt	18,0cm; 7,2"	
014-127-20	s-shaped; curved; blunt/blunt	20,0cm; 8"	
014-127-23	s-shaped; curved; blunt/blunt	23,0cm; 9,2"	
014-139-17	CC TOENNIS-ADSON dissecting scissors; curved	17,5cm; 7"	
014-140-16	CC LEXER dissecting scissors straight; blunt/blunt	16,0cm; 6,4"	
014-140-21	straight; blunt/blunt	21,0cm; 8,4"	
014-141-16	curved; blunt/blunt	16,0cm; 6,4"	
014-141-21	curved; blunt/blunt	21,0cm; 8,4"	



Art.Nr.	Beschreibung   Description	Size	Spez.
<b>Other items available but not illustrated</b>			
014-201-15	CC KILNER dissecting scissors curved; blunt/blunt	15,0cm; 6"	
014-201-18	curved; blunt/blunt	18,0cm; 7,2"	
014-201-20	curved; blunt/blunt	20,0cm; 8"	
014-217-19	CC THOREK dissecting scissors curved; blunt/blunt	19,0cm; 7,6"	
014-217-25	curved; blunt/blunt	25,0cm; 10"	
014-220-15	CC Nerve dissecting scissors straight; sharp/sharp	15,0cm; 6"	
014-221-15	curved; sharp/sharp		
014-244-09	CC IRIS fine operating scissors straight; sharp/sharp	9,0cm; 3,6"	
014-244-10	straight; sharp/sharp	10,5cm; 4,2"	
014-245-09	curved; sharp/sharp	9,0cm; 3,6"	
014-245-10	curved; sharp/sharp	10,5cm; 4,2"	
014-257-11	CC LA GRANGE scissors; s-shaped, 1 blade serrated	11,5cm; 4,6"	
014-263-11	CC IRIS fine operating scissors angled; sharp/sharp	11,5cm; 4,6"	
014-291-10	CC STEVENS tendon scissors curved; sharp/sharp	10,5cm; 4,2"	
014-471-18	CC Gorney Supercut scissors curved	18,5cm; 7,4"	
014-473-23	curved	23,0cm; 9,2"	
014-540-25	CC DE BAKEY vascular scissors 25° curved	16,0cm; 6,4"	
014-540-45	45° curved	16,0cm; 6,4"	
014-540-60	60° curved	16,0cm; 6,4"	
014-543-25	25° curved	23,0cm; 9,2"	
014-543-45	45° curved	23,0cm; 9,2"	
014-543-60	60° curved	23,0cm; 9,2"	
014-551-25	CC POTTS-SMITH vascular scissors 25° curved; sharp/sharp	19,0cm; 7,6"	
014-551-40	45° curved; sharp/sharp		
014-551-60	60° curved; sharp/sharp		
014-600-23	CC SIMS gynecological scissors straight; blunt/blunt	23,0cm; 9,2"	
014-601-20	curved; blunt/blunt	20,0cm; 8"	
014-601-23	curved; blunt/blunt	23,0cm; 9,2"	

Weitere Artikel  
further items

Art.Nr.	Beschreibung   Description	Size	Spez.
<b>Other items available but not illustrated</b>			
014-634-18	CC KELLY fistula scissors; straight; sharp/sharp	18,0cm; 7,2"	
014-703-20	CC episiotomy scissors; curved	20,0cm; 8"	
014-800-12	CC UNIVERSAL wire scissors; angled; 1 blade serrated	12,0cm; 4,8"	
014-900-18	CC LISTER bandage scissors; angled	18,0cm; 7,2"	
014-910-24	CC BRUNS bandage scissors; curved; smooth	24,0cm; 9,6"	
014-920-16	CC COTTLE scissors; curved; smooth	16,0cm 6,4"	



## Alphabetisches Verzeichnis

### A

ASTON, Face-lift Schere .....	010.46
Augenschere, GRAEFE.....	010.37
Augenschere, RIBBON.....	010.37
Augenschere, WILMER.....	010.36

### B

BABY-LEXER, Präparierschere.....	010.25
BABY-METZENBAUM, Präparierschere.....	010.15
BABY-METZENBAUM, Präparierschere, SC.....	012.4
BABY-METZENBAUM, Präparierschere, TC.....	011.7
BEEBEE, Drahtschere .....	010.84
BERGMANN, Gipsschere.....	010.91
BOETTCHER, Tonsillenschere.....	010.58
BONN chirurgische Schere .....	010.38
BRAUN-STADLER, Dammschere.....	010.80
BROPHY (SULLIVAN), chirurgische Schere .....	010.40
BRUNS, Gipsschere.....	010.93
BRUNS, Gipsschere, TC .....	011.25
BUCK, Ligaturschere.....	010.49
BUSCH, Nabelschnurschere.....	010.82

### C

CAPLAN, Nasenschere .....	010.57
CARTILAGE, Schere.....	010.57
chirurgische Schere.....	010.2 - 010.7
chirurgische Schere, BONN .....	010.38
chirurgische Schere, BROPHY (SULLIVAN).....	010.40
chirurgische Schere, DEEVER.....	010.8
chirurgische Schere, fein.....	010.33, 010.36, 010.39
chirurgische Schere, FERGUSSON.....	010.41
chirurgische Schere, GRAZIL .....	010.9
chirurgische Schere, LANDOLT.....	010.42
chirurgische Schere, MAYO .....	010.10
chirurgische Schere, MAYO, CC .....	014.3
chirurgische Schere, MAYO, SC.....	012.3
chirurgische Schere, MAYO, TC.....	011.4
chirurgische Schere, MAYO-STILLE .....	010.11- 010.12
chirurgische Schere, MAYO-STILLE, CC .....	014.4
chirurgische Schere, MAYO-STILLE, TC.....	011.5
chirurgische Schere, O'BRIEN .....	010.39
chirurgische Schere, RICHTER .....	010.41
chirurgische Schere, TC .....	011.3
chirurgische Schere, WAGNER, fein .....	010.34
CINELLI, Präparierschere.....	010.30
COTTLE, Nasenschere.....	010.55
CRAFOORD, Thoraxschere.....	010.67

### D

Dammschere .....	010.79
Dammschere, BRAUN-STADLER.....	010.80
Dammschere, WALDMANN .....	010.79
DANDY, neurochirurgische Schere.....	010.52
Darmschere .....	010.75
DE BAKEY, Gefäßschere .....	010.60, 010.64, 010.65
DE BAKEY, Gefäßschere, TC.....	011.20

DEAN, Zahnfleischschere.....	010.85
DEAN, Zahnfleischschere, TC .....	011.22
DEEVER, chirurgische Schere .....	010.8
DIETHRICH, Gefäßschere .....	010.64
DIETHRICH-HEGEMANN, Gefäßschere .....	010.62
DIETHRICH-HEGEMANN, Gefäßschere, CC .....	014.8
DOYEN, gynäkologische Schere.....	010.70
Drahtschere, BEEBEE .....	010.84
Drahtschere, UNIVERSAL .....	010.83
Drahtschere, UNIVERSAL, TC.....	011.24
DUBOIS, gynäkologische Schere .....	010.74
Duraschere, SCHMIEDEN-TAYLOR .....	010.52

### E

EISELSBERG, Ligaturschere.....	010.51
Enukleationsschere .....	010.34
ESMARCH, Verbandschere.....	010.92

### F

Face-lift Schere, ASTON .....	010.46
Face-lift Schere, GORNEY .....	010.45
Face-lift Schere, GORNEY, TC .....	011.19
Face-lift Schere, REES, TC .....	011.19
FAVALORO, neurochirurgische Schere .....	010.65
FERGUSSON, chirurgische Schere.....	010.41
FINOCHIETTO, Lungenschere .....	010.78
Fistelschere, KELLY.....	010.72
Fistelschere, KELLY, CC.....	014.8
Fistelschere, KELLY, TC.....	011.21
FOMON, Nasenschere .....	010.56
FOMON, Präparierschere.....	010.31

### G

Gefäßschere .....	010.66- 010.67
Gefäßschere, DE BAKEY.....	010.60, 010.64, 010.65
Gefäßschere, DE BAKEY, TC.....	011.20
Gefäßschere, DIETHRICH .....	010.64
Gefäßschere, DIETHRICH-HEGEMANN .....	010.62
Gefäßschere, DIETHRICH-HEGEMANN, CC .....	014.8
Gefäßschere, MC INDOE .....	010.61
Gefäßschere, POTTS-DE MARTEL .....	010.61
Gefäßschere, POTTS-SMITH .....	010.63
Gefäßschere, POTTS-SMITH, SC .....	012.8
Gipsschere .....	010.94
Gipsschere BRUNS, TC .....	011.25
Gipsschere, BERGMANN.....	010.91
Gipsschere, BRUNS.....	010.93
Gipsschere, SEUTIN.....	010.94
GOLDMANN-FOX, Zahnfleischschere .....	010.85
GOLDMANN-FOX, Zahnfleischschere, SC .....	012.9
GOLDMANN-FOX, Zahnfleischschere, TC.....	011.22
GOOD, Tonsillenschere .....	010.59
GORNEY, Face-lift Schere.....	010.45
GORNEY, Face-lift Schere, TC .....	011.19
GRAEFE, Augenschere.....	010.37
GRAZIL, chirurgische Schere .....	010.9



## Alphabetisches Verzeichnis

gynäkologische Schere, DOYEN.....	010.70
gynäkologische Schere, DUBOIS.....	010.74
gynäkologische Schere, MAYO-NOBLE.....	010.13
gynäkologische Schere, SIEBOLD.....	010.71
gynäkologische Schere, SIMS.....	010.69
gynäkologische Schere, SIMS, TC.....	011.21
gynäkologische Schere, SIMS-SIEBOLD.....	010.71
gynäkologische Schere, WERTHEIM.....	010.73

### H

HALLE, Nasenschere.....	010.56
HEATH, Ligaturschere.....	010.50
HEYMANN, Nasenschere.....	010.55

### I

Inzisionsschere.....	010.40
Irisschere.....	010.35, 010.37
Irisschere.....	010.37
Irisschere, CC.....	014.4
Irisschere, MOD. BONN.....	010.38
Irisschere, SC.....	012.7
Irisschere, TC.....	011.18

### J

JAMESON, Präparierschere.....	010.29
JOSEPH, Präparierschere.....	010.33
JOSEPH, Präparierschere, CC.....	014.7
JOSEPH, Präparierschere, TC.....	011.16

### K

KAYE, Präparierschere.....	010.44
KELLY, Fistelschere.....	010.72
KELLY, Fistelschere, CC.....	014.8
KELLY, Fistelschere, TC.....	011.21
KILNER ( RAGNELL ), Präparierschere.....	010.28
KILNER, Präparierschere, CC.....	014.6
KIRSTEIN, Tonsillenschere.....	010.58
KLINGENBERG-LOTH, Thoraxschere.....	010.68
KNOWLES, Verbandschere.....	010.90

### L

LA GRANGE, Zahnfleissschere.....	010.86
LANDOLT, chirurgische Schere.....	010.42
LEXER, Präparierschere.....	010.26
LEXER, Präparierschere, TC.....	011.15
LEXER-FINO, Präparierschere.....	010.25
Ligaturschere, BUCK.....	010.49
Ligaturschere, EISELSBERG.....	010.51
Ligaturschere, HEATH.....	010.50
Ligaturschere, LITTAUER.....	010.49
Ligaturschere, NORTHBENT.....	010.50
Ligaturschere, SPENCER.....	010.48
LINCOLN, neurochirurgische Schere.....	010.53
LISTER, Verbandschere.....	010.87- 010.88
LISTER, Verbandschere, SC.....	012.9
LISTER, Verbandschere, TC.....	011.25

LISTER-EXCENTRIC, Verbandschere.....	010.89
LITTAUER, Ligaturschere.....	010.49
LLOYD-DAVIES, Rektumschere.....	010.76
LOCKLIN, Zahnfleissschere.....	010.86
LOCKLIN, Zahnfleissschere, TC.....	011.23
LORENZ, Verbandschere.....	010.90
Lungenschere, FINOCCHIETTO.....	010.78
Lungenschere, POTTS-SMITH.....	010.67
Lungenschere, WILLAUER.....	010.78

### M

MAYO, chirurgische Schere.....	010.10
MAYO, chirurgische Schere, CC.....	014.3
MAYO, chirurgische Schere, SC.....	012.3
MAYO, chirurgische Schere, TC.....	011.4
MAYO-HARRINGTON, Präparierschere.....	010.14
MAYO-LEXER, Präparierschere, TC.....	011.14
MAYO-NOBLE, gynäkologische Schere.....	010.13
MAYO-STILLE, chirurgische Schere.....	010.11, 010.12
MAYO-STILLE, chirurgische Schere, CC.....	014.4
MAYO-STILLE, chirurgische Schere, TC.....	011.5
MC INDOE, Gefäßschere.....	010.61
MC INDOE, Thoraxschere.....	010.66
METZENBAUM, Präparierschere.....	010.15, 010.18- 010.20
METZENBAUM, Präparierschere, CC.....	014.5
METZENBAUM, Präparierschere, SC.....	012.4- 012.5
METZENBAUM, Präparierschere, TC.....	011.7
METZENBAUM-FINO S, Präparierschere, TC.....	011.12
METZENBAUM-FINO, Präparierschere.....	010.20- 010.23
METZENBAUM-FINO, Präparierschere, CC.....	014.6
METZENBAUM-FINO, Präparierschere, SC.....	012.6
METZENBAUM-FINO, Präparierschere, TC.....	011.10- 011.11
METZENBAUM-LAHEY, Präparierschere.....	010.24
METZENBAUM-LAHEY, Präparierschere, TC.....	011.13
METZENBAUM-NELSON, Präparierschere.....	010.16- 010.19
METZENBAUM-NELSON, Präparierschere, CC.....	014.5
METZENBAUM-NELSON, Präparierschere, TC.....	011.8- 011.9
METZENBAUM-THOREK, Präparierschere, TC.....	011.17
MIXTER, Präparierschere.....	010.27
MOD. BONN, Irisschere.....	010.38
MOD. USA, Nabelschnurschere.....	010.81

### N

Nabelschnurschere, BUSCH.....	010.82
Nabelschnurschere, MOD. USA.....	010.81
Nabelschnurschere, SCHUMACHER.....	010.81
Nasenschere, CAPLAN.....	010.57
Nasenschere, COTTLE.....	010.55
Nasenschere, FOMON.....	010.56
Nasenschere, HALLE.....	010.56
Nasenschere, HEYMANN.....	010.55
Nervpräparierschere.....	010.32
neurochirurgische Schere, DANDY.....	010.52
neurochirurgische Schere, FAVALORO.....	010.65
neurochirurgische Schere, LINCOLN.....	010.53
neurochirurgische Schere, LINCOLN.....	010.53



## Alphabetisches Verzeichnis

neurochirurgische Schere, STRULLY ..... 010.51  
NORTHBENT, Ligaturschere ..... 010.50

### O

O'BRIEN, chirurgische Schere ..... 010.39  
OLIVECRONA, Trigemini-Schere ..... 010.54

### P

PARAMETRIUM, Schere, TC ..... 011.6  
PECK-JOSEPH, Präparierschere ..... 010.46- 010.47  
POTTS-DE MARTEL, Gefäßschere ..... 010.61  
POTTS-SMITH, Gefäßschere ..... 010.63  
POTTS-SMITH, Gefäßschere, SC ..... 012.8  
POTTS-SMITH, Lungenschere ..... 010.67  
Präparierschere ..... 010.27, 010.47  
Präparierschere, BABY-LEXER ..... 010.25  
Präparierschere, BABY-METZENBAUM ..... 010.15  
Präparierschere, BABY-METZENBAUM, SC ..... 012.4  
Präparierschere, BABY-METZENBAUM, TC ..... 011.7  
Präparierschere, CINELLI ..... 010.30  
Präparierschere, FOMON ..... 010.31  
Präparierschere, JAMESON ..... 010.29  
Präparierschere, JOSEPH ..... 010.33  
Präparierschere, JOSEPH, CC ..... 014.7  
Präparierschere, JOSEPH, TC ..... 011.16  
Präparierschere, KAYE ..... 010.44  
Präparierschere, KILNER (RAGNELL) ..... 010.28  
Präparierschere, KILNER, CC ..... 014.6  
Präparierschere, LEXER ..... 010.26  
Präparierschere, LEXER, TC ..... 011.15  
Präparierschere, LEXER-FINO ..... 010.25  
Präparierschere, MAYO-HARRINGTON ..... 010.14  
Präparierschere, MAYO-LEXER, TC ..... 011.14  
Präparierschere, METZENBAUM ..... 010.15- 010.20  
Präparierschere, METZENBAUM, CC ..... 014.5  
Präparierschere, METZENBAUM, SC ..... 012.4- 012.5  
Präparierschere, METZENBAUM, TC ..... 011.7  
Präparierschere, METZENBAUM-FINO ..... 010.20- 010.23  
Präparierschere, METZENBAUM-FINO S, TC ..... 011.12  
Präparierschere, METZENBAUM-FINO, CC ..... 014.6  
Präparierschere, METZENBAUM-FINO, SC ..... 012.6  
Präparierschere, METZENBAUM-FINO, TC ..... 011.10- 011.11  
Präparierschere, METZENBAUM-LAHEY ..... 010.24  
Präparierschere, METZENBAUM-LAHEY, TC ..... 011.13  
Präparierschere, METZENBAUM-NELSON ..... 010.16- 010.19  
Präparierschere, METZENBAUM-NELSON, CC ..... 014.5  
Präparierschere, METZENBAUM-NELSON, TC ..... 011.8- 011.9  
Präparierschere, METZENBAUM-THOREK, TC ..... 011.17  
Präparierschere, MIXTER ..... 010.27  
Präparierschere, Nerv- ..... 010.32  
Präparierschere, PECK-JOSEPH ..... 010.46- 010.47  
Präparierschere, RAGNELL, TC ..... 011.16  
Präparierschere, REYNOLDS ..... 010.30  
Präparierschere, REYNOLDS, CC ..... 014.7  
Präparierschere, SALYER ..... 010.13  
Präparierschere, SANVENERO ..... 010.32

Präparierschere, SHEA VEIN GRAFT ..... 010.29  
Präparierschere, THOREK ..... 010.31  
Präparierschere, TOENNIS ..... 010.44  
Präparierschere, TOENNIS-ADSON ..... 010.24  
Präparierschere, TOENNIS-ADSON, SC ..... 012.6  
Präparierschere, TOENNIS-ADSON, TC ..... 011.14  
PRINCE, Tonsillenschere ..... 010.59

### R

RAGNELL, Präparierschere, TC ..... 011.16  
RECTAL, Rektumschere ..... 010.77  
REES, Face-lift Schere, TC ..... 011.19  
Rektumschere, LLOYD-DAVIES ..... 010.76  
Rektumschere, RECTAL ..... 010.77  
Rektumschere, STELZNER ..... 010.77  
REYNOLDS, Präparierschere ..... 010.30  
REYNOLDS, Präparierschere, CC ..... 014.7  
RIBBON, Augenschere ..... 010.37  
RICHTER, chirurgische Schere ..... 010.41

### S

SALYER Präparierschere ..... 010.13  
SANVENERO, Präparierschere ..... 010.32  
SATINSKY, Thoraxschere ..... 010.68  
Schere, Augen-, GRAEFE ..... 010.37  
Schere, Augen-, RIBBON ..... 010.37  
Schere, Augen-, WILMER ..... 010.36  
Schere, CARTILAGE ..... 010.57  
Schere, chirurgisch ..... 010.2- 010.7  
Schere, chirurgisch, BONN ..... 010.38  
Schere, chirurgisch, BROPHY (SULLIVAN) ..... 010.40  
Schere, chirurgisch, DEAVER ..... 010.8  
Schere, chirurgisch, fein ..... 010.33, 010.36, 010.39  
Schere, chirurgisch, fein, WAGNER ..... 010.34  
Schere, chirurgisch, FERGUSON ..... 010.41  
Schere, chirurgisch, GRAZIL ..... 010.9  
Schere, chirurgisch, LANDOLT ..... 010.42  
Schere, chirurgisch, MAYO ..... 010.10  
Schere, chirurgisch, MAYO, CC ..... 014.3  
Schere, chirurgisch, MAYO, SC ..... 012.3  
SCHERE, chirurgisch, MAYO, TC ..... 011.4  
Schere, chirurgisch, MAYO-STILLE ..... 010.11- 010.12  
Schere, chirurgisch, MAYO-STILLE, CC ..... 014.4  
Schere, chirurgisch, MAYO-STILLE, TC ..... 011.5  
Schere, chirurgisch, O'BRIEN ..... 010.39  
Schere, chirurgisch, RICHTER ..... 010.41  
Schere, chirurgisch, TC ..... 011.3  
Schere, Damm- ..... 010.79  
Schere, Damm-, BRAUN-STADLER ..... 010.80  
Schere, Damm-, BRAUN-STADLER ..... 010.80  
Schere, Damm-, WALDMANN ..... 010.79  
Schere, Darm- ..... 010.75  
Schere, Draht-, BEEBEE ..... 010.84  
Schere, Draht-, UNIVERSAL ..... 010.83  
Schere, Draht-, UNIVERSAL, TC ..... 011.24  
Schere, Dura-, SCHMIEDEN-TAYLOR ..... 010.52

## Alphabetisches Verzeichnis

Schere, Eukleations-	010.34	Schere, neurochirurgisch, STRULLY	010.51
Schere, Face-lift, ASTON	010.46	Schere, PARAMETRIUM, TC	011.6
Schere, Face-lift, GORNEY	010.45	Schere, Präparier-	010.27, 010.47
Schere, Face-lift, GORNEY, TC	011.19	Schere, Präparier-, BABY-LEXER	010.25
Schere, Face-lift, REES, TC	011.19	Schere, Präparier-, BABY-METZENBAUM	010.15
Schere, Fistel-, KELLY	010.72	Schere, Präparier-, BABY-METZENBAUM, SC	012.4
Schere, Fistel-, KELLY, CC	014.8	Schere, Präparier-, BABY-METZENBAUM, TC	011.7
Schere, Fistel-, KELLY, TC	011.21	Schere, Präparier-, CINELLI	010.30
Schere, Gefäß-	010.66- 010.67	Schere, Präparier-, JAMESON	010.29
Schere, Gefäß-, DE BAKEY	010.60, 010.64- 010.65	Schere, Präparier-, JOSEPH	010.33
Schere, Gefäß-, DE BAKEY, TC	011.20	Schere, Präparier-, JOSEPH, CC	014.7
Schere, Gefäß-, DIETHRICH	010.64	Schere, Präparier-, JOSEPH, TC	011.16
Schere, Gefäß-, DIETHRICH-HEGEMANN	010.62	Schere, Präparier-, KAYE	010.44
Schere, Gefäß-, DIETHRICH-HEGEMANN, CC	014.8	Schere, Präparier-, KILNER (RAGNELL)	010.28
Schere, Gefäß-, MC INDOE	010.61	Schere, Präparier-, KILNER, CC	014.6
Schere, Gefäß-, POTTS-DE-MARTEL	010.61	Schere, Präparier-, LEXER	010.26
Schere, Gefäß-, POTTS-SMITH	010.63	Schere, Präparier-, LEXER, TC	011.15
Schere, Gefäß-, POTTS-SMITH, SC	012.8	Schere, Präparier-, LEXER-FINO	010.25
Schere, Gips-	010.94	Schere, Präparier-, MAYO-HARRINGTON	010.14
Schere, Gips-, BERGMANN	010.91	Schere, Präparier-, MAYO-LEXER, TC	011.14
Schere, Gips-, BRUNS	010.93	Schere, Präparier-, METZENBAUM	010.15, 010.18- 010.20
Schere, Gips-, BRUNS, TC	011.25	Schere, Präparier-, METZENBAUM, CC	014.5
Schere, Gips-, SEUTIN	010.94	Schere, Präparier-, METZENBAUM, SC	012.4- 012.5
Schere, gynäkologisch-, DOYEN	010.70	Schere, Präparier-, METZENBAUM, SC	012.5
Schere, gynäkologisch-, DUBOIS	010.74	Schere, Präparier-, METZENBAUM, TC	011.7
Schere, gynäkologisch-, MAYO-NOBLE	010.13	Schere, Präparier-, METZENBAUM-FINO	010.20- 010.23
Schere, gynäkologisch-, SIEBOLD	010.71	Schere, Präparier-, METZENBAUM-FINO S, TC	011.12
Schere, gynäkologisch-, SIMS	010.69	Schere, Präparier-, METZENBAUM-FINO, CC	014.6
Schere, gynäkologisch-, SIMS, TC	011.21	Schere, Präparier-, METZENBAUM-FINO, TC	011.10- 011.11
Schere, gynäkologisch-, SIMS-SIEBOLD	010.71	Schere, Präparier-, METZENBAUM-LAHEY	010.24
Schere, gynäkologisch-, WERTHEIM	010.73	Schere, Präparier-, METZENBAUM-LAHEY, TC	011.13
Schere, Inzisions-	010.40	Schere, Präparier-, METZENBAUM-NELSON	010.16- 010.19
Schere, Iris-	010.35, 010.37	Schere, Präparier-, METZENBAUM-NELSON, CC	014.5
Schere, Iris-, CC	014.4	Schere, Präparier-, METZENBAUM-NELSON, TC	011.8- 011.9
Schere, Iris-, MOD. BONN	010.38	Schere, Präparier-, METZENBAUM-THOREK, TC	011.17
Schere, Iris-, SC	012.7	Schere, Präparier-, MIXTER	010.27
Schere, Iris-, TC	011.18	Schere, Präparier-, Nerv-	010.32
Schere, Ligatur-, BUCK	010.49	Schere, Präparier-, PECK-JOSEPH	010.46- 010.47
Schere, Ligatur-, EISELSBERG	010.51	Schere, Präparier-, RAGNELL, TC	011.16
Schere, Ligatur-, HEATH	010.50	Schere, Präparier-, REYNOLDS	010.30
Schere, Ligatur-, LITTAUER	010.49	Schere, Präparier-, REYNOLDS, CC	014.7
Schere, Ligatur-, NORTHBENT	010.50	Schere, Präparier-, SALYER	010.13
Schere, Ligatur-, SPENCER	010.48	Schere, Präparier-, SANVENERO	010.32
Schere, Lunge-, FINOCCHIETTO	010.78	Schere, Präparier-, SHEA VEIN GRAFT	010.29
Schere, Lunge-, POTTS-SMITH	010.67	Schere, Präparier-, THOREK	010.31
Schere, Lunge-, WILLAUER	010.78	Schere, Präparier-, THOREK	010.31
Schere, Nabelschnur-, BUSCH	010.82	Schere, Präparier-, TOENNIS	010.44
Schere, Nabelschnur-, MOD. USA	010.81	Schere, Präparier-, TOENNIS-ADSON	010.24
Schere, Nabelschnur-, SCHUMACHER	010.81	Schere, Präparier-, TOENNIS-ADSON, SC	012.6
Schere, Nasen-, CAPLAN	010.57	Schere, Präparier-, TOENNIS-ADSON, TC	011.14
Schere, Nasen-, FOMON	010.56	Schere, Rektum-, LLOYD-DAVIES	010.76
Schere, Nasen-, HALLE	010.56	Schere, Rektum-, RECTAL	010.77
Schere, Nasen-, HEYMANN	010.55	Schere, Rektum-, STELZNER	010.77
Schere, neurochirurgisch, DANDY	010.52	Schere, Sehne-, STEVENS	010.43
Schere, neurochirurgisch, FAVALORO	010.65	Schere, Strabismus	010.35
Schere, neurochirurgisch, LINCOLN	010.53	Schere, Strabismus-, SC	012.7



## Alphabetisches Verzeichnis

Schere, Tenotomy, STEVENS, SC .....	012.8
Schere, Thorax-, KLINGENBERG-LOTH.....	010.68
Schere, Thorax-, MC INDOE.....	010.66
Schere, Thorax-, SATINSKY.....	010.68
Schere, Tonsillen-, BOETTCHER.....	010.58
Schere, Tonsillen-, GOOD.....	010.59
Schere, Tonsillen-, KIRSTEIN.....	010.58
Schere, Tonsillen-, PRINCE.....	010.59
Schere, Torax-, CRAFOORD.....	010.67
Schere, Trigemini-, OLIVECRONA.....	010.54
Schere, Verband-, ESMARCH.....	010.92
Schere, Verband-, KNOWLES.....	010.90
Schere, Verband-, LISTER.....	010.87- 010.88
Schere, Verband-, LISTER, SC.....	012.9
Schere, Verband-, LISTER, TC.....	011.25
Schere, Verband-, LISTER-EXCENTRIC.....	010.89
Schere, Verband-, LORENZ.....	010.90
Schere, Verband-, UNIVERSAL.....	010.95
Schere, Zahnfleisch-, DEAN.....	010.85
Schere, Zahnfleisch-, DEAN, TC.....	011.22
Schere, Zahnfleisch-, GOLDMANN-FOX.....	010.85
Schere, Zahnfleisch-, GOLDMANN-FOX, SC.....	012.9
Schere, Zahnfleisch-, GOLDMANN-FOX, TC.....	011.22
Schere, Zahnfleisch-, LA GRANGE.....	010.86
Schere, Zahnfleisch-, LOCKLIN.....	010.86
Schere, Zahnfleisch-, LOCKLIN, TC.....	011.23
Schere, Nasen-, COTTLE.....	010.55
Schere, Präparier-, FOMON.....	010.31
SCHMIEDEN-TAYLOR, Duraschere.....	010.52
SCHUMACHER, Nabelschnurschere.....	010.81
Sehnenschere, STEVENS.....	010.43
SEUTIN, Gipsschere.....	010.94
SHEA VEIN GRAFT, Präparierschere.....	010.29
SIEBOLD, gynäkologische Schere.....	010.71
SIMS, gynäkologische Schere.....	010.69
SIMS, gynäkologische Schere, TC.....	011.21
SIMS-SIEBOLD, gynäkologische Schere.....	010.71
SPENCER, Ligaturschere.....	010.48
STELZNER, Rektumschere.....	010.77
STEVENS, Sehenschere.....	010.43
STEVENS, Tenotomy Schere, SC.....	012.8
Strabismusschere.....	010.35
Strabismusschere, SC.....	012.7
STRULLY, neurochirurgische Schere.....	010.51

<b>T</b>	
Tenotomy Schere, STEVENS, SC.....	012.8
Thoraxschere, CRAFOORD.....	010.67
Thoraxschere, KLINGENBERG-LOTH.....	010.68
Thoraxschere, MC INDOE.....	010.66
Thoraxschere, SATINSKY.....	010.68
THOREK, Präparierschere.....	010.31
TOENNIS, Präparierschere.....	010.44
TOENNIS-ADSON, Präparierschere.....	010.24
TOENNIS-ADSON, Präparierschere, SC.....	012.6
TOENNIS-ADSON, Präparierschere, TC.....	011.14

Tonsillenschere, BOETTCHER.....	010.58
Tonsillenschere, GOOD.....	010.59
Tonsillenschere, KIRSTEIN.....	010.58
Tonsillenschere, PRINCE.....	010.59
Trigeminus-Schere, OLIVECRONA.....	010.54
UNIVERSAL, Drahtschere.....	010.83
UNIVERSAL, Drahtschere, TC.....	011.24
UNIVERSAL, Verbandschere.....	010.95

<b>V</b>	
Verbandschere, ESMARCH.....	010.92
Verbandschere, KNOWLES.....	010.90
Verbandschere, LISTER.....	010.87
Verbandschere, LISTER, SC.....	012.9
Verbandschere, LISTER, TC.....	011.25
Verbandschere, LISTER-EXCENTRIC.....	010.89
Verbandschere, LORENZ.....	010.90
Verbandschere, UNIVERSAL.....	010.95

<b>W</b>	
WAGNER, chirurgische Schere, fein.....	010.34
WALDMANN, Dammschere.....	010.79
WERTHEIM, gynäkologische Schere.....	010.73
WILLAUER, Lungenschere.....	010.78
WILMER, Augenschere.....	010.36

<b>Z</b>	
Zahnfleischschere, DEAN.....	010.85
Zahnfleischschere, DEAN, TC.....	011.22
Zahnfleischschere, GOLDMANN-FOX.....	010.85
Zahnfleischschere, GOLDMANN-FOX, SC.....	012.9
Zahnfleischschere, GOLDMANN-FOX, TC.....	011.22
Zahnfleischschere, LA GRANGE.....	010.86
Zahnfleischschere, LOCKLIN.....	010.86
Zahnfleischschere, LOCKLIN, TC.....	011.23

## Index, alphabetical

<b>A</b>	
ASTON, face-lift scissors .....	010.46
<b>B</b>	
BABY-METZENBAUM, dissecting scissors .....	010.15
BABY-METZENBAUM, dissecting scissors, SC .....	012.4
BABY-METZENBAUM, dissecting scissors, TC .....	011.7
bandage scissors, ESMARCH .....	010.92
bandage scissors, KNOWLES .....	010.90
bandage scissors, LISTER .....	010.87- 010.88
bandage scissors, LISTER, SC .....	012.9
bandage scissors, LISTER, TC .....	011.25
bandage scissors, LISTER-EXCENTRIC .....	010.89
bandage scissors, LORENZ .....	010.90
bandage scissors, UNIVERSAL .....	010.95
BEEBEE, wire cutting scissors .....	010.84
BERGMANN, plaster scissors .....	010.91
BOETTCHER, tonsil scissors .....	010.58
BONN, operating scissors .....	010.38
BRAUN-STADLER, episiotomy scissors .....	010.80
BROPHY (SULLIVAN), operating scissors .....	010.40
BRUNS, plaster scissors .....	010.93
BRUNS, plaster scissors, TC .....	011.25
BUCK, ligature scissors .....	010.49
BUSCH, umbilical scissors .....	010.82
<b>C</b>	
CAPLAN, nasal scissors .....	010.57
CARTILAGE scissors .....	010.57
CINELLI, dissecting scissors .....	010.30
COTTLE, nasal scissors .....	010.55
CRAFOORD, lobectomy scissors .....	010.67
<b>D</b>	
DANDY, neurosurgical scissors .....	010.52
DE BAKEY, vascular scissors .....	010.60, 010.64- 010.65
DE BAKEY, vascular scissors, TC .....	011.20
DEAN, gum scissors .....	010.85
DEAN, gum scissors, TC .....	011.22
DEAVER, operating scissors .....	010.8
DIETRICH, vascular scissors .....	010.64
DIETRICH-HEGEMANN, vascular scissors .....	010.62
DIETRICH-HEGEMANN, vascular scissors, CC .....	014.8
dissecting scissors .....	010.27, 010.47
dissecting scissors, BABY-METZENBAUM .....	010.15
dissecting scissors, BABY-METZENBAUM, SC .....	012.4
dissecting scissors, CINELLI .....	010.30
dissecting scissors, FOMON .....	010.31
dissecting scissors, JAMESON .....	010.29
dissecting scissors, JOSEPH .....	010.33
dissecting scissors, JOSEPH, CC .....	014.7
dissecting scissors, JOSEPH, TC .....	011.16
dissecting scissors, KAYE .....	010.44
dissecting scissors, KILNER (RAGNELL) .....	010.28
dissecting scissors, KILNER, CC .....	014.6
dissecting scissors, LEXER .....	010.26
dissecting scissors, LEXER, TC .....	011.15
dissecting scissors, LEXER-BABY .....	010.25
dissecting scissors, LEXER-FINO .....	010.25
dissecting scissors, MAYO-LEXER, TC .....	011.14
dissecting scissors, MAYO-STILLE, TC .....	011.5
dissecting scissors, METZENBAUM .....	010.15, 010.18- 010.20
dissecting scissors, METZENBAUM, CC .....	014.5
dissecting scissors, METZENBAUM, SC .....	012.4
dissecting scissors, METZENBAUM, TC .....	011.7
dissecting scissors, METZENBAUM-BABY, TC .....	011.7
dissecting scissors, METZENBAUM-FINO .....	010.21- 010.23
dissecting scissors, METZENBAUM-FINO S .....	010.20
dissecting scissors, METZENBAUM-FINO S, TC .....	011.12
dissecting scissors, METZENBAUM-FINO, CC .....	014.6
dissecting scissors, METZENBAUM-FINO, SC .....	012.6
dissecting scissors, METZENBAUM-FINO, TC .....	011.10- 11.11
dissecting scissors, METZENBAUM-LAHEY .....	010.24
dissecting scissors, METZENBAUM-LAHEY, TC .....	011.13
dissecting scissors, METZENBAUM-NELSON .....	010.16- 010.19
dissecting scissors, METZENBAUM-NELSON, CC .....	014.5
dissecting scissors, METZENBAUM-NELSON, SC .....	012.5
dissecting scissors, METZENBAUM-NELSON, TC .....	011.8- 011.9
dissecting scissors, METZENBAUM-THOREK, TC .....	011.17
dissecting scissors, MIXTER .....	010.27
dissecting scissors, nerve .....	010.32
dissecting scissors, PECK-JOSEPH .....	010.46- 010.47
dissecting scissors, POTTS-SMITH .....	010.67
dissecting scissors, RAGNELL, TC .....	011.16
dissecting scissors, REYNOLDS .....	010.30
dissecting scissors, REYNOLDS, CC .....	014.7
dissecting scissors, SANVENERO .....	010.32
dissecting scissors, SHEA VEIN GRAFT .....	010.29
dissecting scissors, THOREK .....	010.31
dissecting scissors, TOENNIS .....	010.44
dissecting scissors, TOENNIS-ADSON .....	010.24
dissecting scissors, TOENNIS-ADSON, SC .....	012.6
dissecting scissors, TOENNIS-ADSON, TC .....	011.14
DOYEN, gynecological scissors .....	010.70
DUBOIS, gynecological scissors .....	010.74
dura scissors, SCHMIEDEN-TAYLOR .....	010.52
<b>E</b>	
EISELSBERG, ligature scissors .....	010.51
enterotomy scissors .....	010.75
enucleation scissors .....	010.34
episiotomy scissors .....	010.79
episiotomy scissors, BRAUN-STADLER .....	010.80
episiotomy scissors, WALDMANN .....	010.79
ESMARCH, bandage scissors .....	010.92
<b>F</b>	
face-lift scissors, ASTON .....	010.46
face-lift scissors, GORNEY .....	010.45
face-lift-scissors, GORNEY, TC .....	011.19
face-lift-scissors, REES, TC .....	011.19
FAVALORO, vascular scissors .....	010.65



## Index, alphabetical

FERGUSSON, operating scissors .....	010.41
FINOCHIETTO, lobectomy scissors .....	010.78
fistula scissors, KELLY .....	010.72
fistula scissors, KELLY, CC .....	014.8
fistula scissors, KELLY, TC .....	011.21
FOMON, dissecting scissors .....	010.31
FOMON, nasal scissors .....	010.56

### G

GOLDMANN-FOX, gum scissors .....	010.85
GOLDMANN-FOX, gum scissors, SC .....	012.9
GOLDMANN-FOX, gum scissors, TC .....	011.22
GOOD, tonsil scissors .....	010.59
GORNEY, face-lift scissors .....	010.45
GORNEY, face-lift scissors, TC .....	011.19
GRAEFE, operating scissors .....	010.37
GRAZIL, operating scissors .....	010.9
gum scissors, DEAN .....	010.85
gum scissors, DEAN, TC .....	011.22
gum scissors, GOLDMANN-FOX .....	010.85
gum scissors, GOLDMANN-FOX, SC .....	012.9
gum scissors, GOLDMANN-FOX, TC .....	011.22
gum scissors, LA GRANGE .....	010.86
gum scissors, LOCKLIN .....	010.86
gum scissors, LOCKLIN, TC .....	011.23
gynecological scissors, DOYEN .....	010.70
gynecological scissors, DUBOIS .....	010.74
gynecological scissors, SIEBOLD .....	010.71
gynecological scissors, SIMS .....	010.69
gynecological scissors, SIMS, TC .....	011.21
gynecological scissors, SIMS-SIEBOLD .....	010.71
gynecological scissors, WERTHEIM .....	010.73

### H

HALLE, nasal scissors .....	010.56
HEATH, ligature scissors .....	010.50
HEYMANN, nasal scissors .....	010.55

### I

incision scissors .....	010.40
iris scissors .....	010.35, 010.37
iris scissors, CC .....	014.4
iris scissors, MOD. BONN .....	010.38
iris scissors, SC .....	012.7
iris scissors, TC .....	

### J

JAMESON, dissecting scissors .....	010.29
JOSEPH, dissecting scissors .....	010.33
JOSEPH, dissecting scissors, CC .....	014.7
JOSEPH, dissecting scissors, TC .....	011.16

### K

KAYE, dissecting scissors .....	010.44
KELLY, fistula scissors .....	010.72
KELLY, fistula scissors, CC .....	014.8

KELLY, fistula scissors, TC .....	011.21
KILNER (RAGNELL) dissecting scissors .....	010.28
KILNER, dissecting scissors, CC .....	014.6
KIRSTEIN, tonsil scissors .....	010.58
KLINKENBERGH-LOTH, vascular scissors .....	010.68
KNOWLES, bandage scissors .....	010.90

### L

LA GRANGE, gum scissors .....	010.86
LANDOLT, operating scissors .....	010.42
LEXER, dissecting scissors .....	010.26
LEXER, dissecting scissors, TC .....	011.15
LEXER-BABY, dissecting scissors .....	010.25
LEXER-FINO, dissecting scissors .....	010.25
ligature scissors, BUCK .....	010.49
ligature scissors, EISELSBERG .....	010.51
ligature scissors, HEATH .....	010.50
ligature scissors, LITTAUER .....	010.49
ligature scissors, NORTHBENT .....	010.50
ligature scissors, SPENCER .....	010.48
LINCOLN, vascular scissors .....	010.53
LISTER, bandage scissors .....	010.87, 010.88
LISTER, bandage scissors, SC .....	012.9
LISTER, bandage scissors, TC .....	011.25
LISTER-EXCENTRIC, bandage scissors .....	010.89
LITTAUER, ligature scissors .....	010.49
LLOYD-DAVIS, lobectomy scissors .....	010.76
lobectomy scissors, CRAFOORD .....	010.67
lobectomy scissors, FINOCCHIETTO .....	010.78
lobectomy scissors, LLOYD-DAVIS .....	010.76
lobectomy scissors, STELZNER .....	010.77
lobectomy scissors, WILLAUER .....	010.78
LOCKLIN, gum scissors .....	010.86
LOCKLIN, gum scissors, TC .....	011.23
LORENZ, bandage scissors .....	010.90

### M

MAYO, operating scissors .....	010.10
MAYO, operating scissors, CC .....	014.3
MAYO, operating scissors, SC .....	012.3
MAYO, operating scissors, TC .....	011.4
MAYO-HARRINGTON, operating scissors .....	010.14
MAYO-LEXER, dissecting scissors, TC .....	011.14
MAYO-NOBLE, operating scissors .....	010.13
MAYO-STILLE, operating scissors .....	010.11- 010.12
MAYO-STILLE, operating scissors, CC .....	014.4
MAYO-STILLE, operating scissors, TC .....	011.5
MC INDOE, vascular scissors .....	010.61, 010.66
METZENBAUM, dissecting scissors .....	010.15, 010.18-010.19
METZENBAUM, dissecting scissors, CC .....	014.5
METZENBAUM, dissecting scissors, SC .....	012.4- 012.5
METZENBAUM, dissecting scissors, TC .....	011.7
METZENBAUM-FINO dissecting scissors .....	010.21- 010.23
METZENBAUM-FINO S, dissecting scissors .....	010.20
METZENBAUM-FINO S, dissecting scissors, TC .....	011.12
METZENBAUM-FINO, dissecting scissors, CC .....	014.6

## Index, alphabetical

METZENBAUM-FINO, dissecting scissors, SC .....	012.6
METZENBAUM-FINO, dissecting scissors, TC....	011.10- 011.11
METZENBAUM-LAHEY, dissecting scissors.....	010.24
METZENBAUM-LAHEY, dissecting scissors, TC .....	011.13
METZENBAUM-NELSON, dissecting scissors ....	010.16- 010.19
METZENBAUM-NELSON, dissecting scissors, CC .....	014.5
METZENBAUM-NELSON, dissecting scissors, TC..	011.8- 011.9
METZENBAUM-THOREK, dissecting scissors, TC.....	011.17
MIXTER, dissecting scissors .....	010.27
MOD. BONN, iris scissors .....	010.38
MOD. USA, umbilical scissors .....	010.81

### N

nasal scissors, CAPLAN.....	010.57
nasal scissors, COTTLE .....	010.55
nasal scissors, FOMON.....	010.56
nasal scissors, HALLE.....	010.56
nasal scissors, HEYMANN .....	010.55
nerve dissecting scissors .....	010.32
neurosurgical scissors, DANDY .....	010.52
neurosurgical scissors, STRULLY .....	010.51
NORTHBENT, ligature scissors .....	010.50

### O

O'BRIEN, operating scissors.....	010.39
OLIVECRONA, trigeminal scissors .....	010.54
operating scissors .....	010.2- 010.7
operating scissors, BONN.....	010.38
operating scissors, BROPHY (SULLIVAN) .....	010.40
operating scissors, DEEVER .....	010.8
operating scissors, FERGUSSON .....	010.41
operating scissors, fine .....	010.33, 010.36, 010.39
operating scissors, fine, WAGNER.....	010.34
operating scissors, GRAEFE.....	010.37
operating scissors, GRAZIL .....	010.9
operating scissors, LANDOLT .....	010.42
operating scissors, MAYO.....	010.10
operating scissors, MAYO, CC.....	014.3
operating scissors, MAYO, SC.....	012.3
operating scissors, MAYO, TC .....	011.4
operating scissors, MAYO-HARRINGTON .....	010.14
operating scissors, MAYO-NOBLE .....	010.13
operating scissors, MAYO-STILLE.....	010.11- 010.12
operating scissors, MAYO-STILLE, CC.....	014.4
operating scissors, O'BRIEN.....	010.39
operating scissors, RIBBON .....	010.37
operating scissors, RICHTER.....	010.41
operating scissors, SALYER.....	010.13
operating scissors, TC .....	011.3
operating scissors, WILMER.....	010.36

### P

PARAMETRIUM, scissors, TC .....	011.6
PECK-JOSEPH, dissecting scissors .....	010.46- 010.47
plaster scissors .....	010.94
plaster scissors, BERGMANN.....	010.91

plaster scissors, BRUNS.....	010.93
plaster scissors, BRUNS, TC .....	011.25
plaster scissors, SEUTIN.....	010.94
POTTS-DE MARTEL, vascular scissors .....	010.61
POTTS-SMITH, vascular scissors .....	010.63
POTTS-SMITH, vascular scissors, SC .....	012.8
POTTS-SMITH, dissecting scissors .....	010.67
PRINCE, tonsil scissors.....	010.59

### R

RAGNELL, dissecting scissors, TC .....	011.16
RECTAL, rectal scissors .....	010.77
REES, face-lift scissors, TC .....	011.19
REYNOLDS, dissecting scissors.....	010.30
REYNOLDS, dissecting scissors, CC.....	014.7
RIBBON, operating scissors .....	010.37
RICHTER, operating scissors.....	010.41

### S

SALYER, operating scissors.....	010.13
SANVENERO, dissecting scissors .....	010.32
SATINSKY, vascular scissors .....	010.68
SCHMIEDEN-TAYLOR, dura scissors .....	010.52
SCHUMACHER, umbilical scissors.....	010.81
scissors, bandage, ESMARCH .....	010.92
scissors, bandage, KNOWLES.....	010.90
scissors, bandage, LISTER .....	010.87- 010.88
scissors, bandage, LISTER, SC .....	012.9
scissors, bandage, LISTER, TC.....	011.25
scissors, bandage, LISTER-EXCENTRIC .....	010.89
scissors, bandage, LORENZ.....	010.90
scissors, bandage, UNIVERSAL.....	010.95
scissors, CARTILAGE.....	010.57
scissors, dissecting .....	010.27, 010.47
scissors, dissecting, BABY-METZENBAUM .....	010.15
scissors, dissecting, BABY-METZENBAUM, SC.....	012.4
scissors, dissecting, CINELLI.....	010.30
scissors, dissecting, FOMON.....	010.31
scissors, dissecting, JAMESON.....	010.29
scissors, dissecting, JOSEPH.....	010.33
scissors, dissecting, JOSEPH, CC.....	014.7
scissors, dissecting, JOSEPH, TC .....	011.16
scissors, dissecting, KAYE.....	010.44
scissors, dissecting, KILNER (RAGNELL).....	010.28
scissors, dissecting, KILNER, CC .....	014.6
scissors, dissecting, LEXER.....	010.26
scissors, dissecting, LEXER, TC .....	011.15
scissors, dissecting, LEXER-BABY .....	010.25
scissors, dissecting, LEXER-FINO .....	010.25
scissors, dissecting, MAYO-LEXER, TC.....	011.14
scissors, dissecting, METZENBAUM .....	010.15, 010.18- 010.20
scissors, dissecting, METZENBAUM, CC.....	014.5
scissors, dissecting, METZENBAUM, SC .....	012.4
scissors, dissecting, METZENBAUM, TC .....	011.7
scissors, dissecting, METZENBAUM-BABY, TC.....	011.7
scissors, dissecting, METZENBAUM-FINO .....	010.21- 010.23



## Index, alphabetical

scissors, dissecting, METZENBAUM-FINO S.....	010.20	scissors, iris, CC.....	014.4
scissors, dissecting, METZENBAUM-FINO S, TC.....	011.12	scissors, iris, MOD. BONN.....	010.38
scissors, dissecting, METZENBAUM-FINO, CC.....	014.6	scissors, iris, SC.....	012.7
scissors, dissecting, METZENBAUM-FINO, SC.....	012.6	scissors, iris, TC.....	011.18
scissors, dissecting, METZENBAUM-FINO, TC... 011.10-	011.11	scissors, ligature, BUCK.....	010.49
scissors, dissecting, METZENBAUM-LAHEY.....	010.24	scissors, ligature, EISELSBERG.....	010.51
scissors, dissecting, METZENBAUM-LAHEY, TC.....	011.13	scissors, ligature, HEATH.....	010.50
scissors, dissecting, METZENBAUM-NELSON.....	010.16	scissors, ligature, LITTAUER.....	010.49
scissors, dissecting, METZENBAUM-NELSON ... 010.16-	010.19	scissors, ligature, NORTHBENT.....	010.50
scissors, dissecting, METZENBAUM-NELSON, CC.....	014.5	scissors, ligature, SPENCER.....	010.48
scissors, dissecting, METZENBAUM-NELSON, SC.....	012.5	scissors, lobectomy, CRAFOORD.....	010.67
scissors, dissecting, METZENBAUM-NELSON, TC 011.8-	011.9	scissors, lobectomy, FINOCHIETTO.....	010.78
scissors, dissecting, METZENBAUM-THOREK, TC.....	011.17	scissors, lobectomy, LLOYD-DAVIS.....	010.76
scissors, dissecting, MIXTER.....	010.27	scissors, lobectomy, STELZNER.....	010.77
scissors, dissecting, nerve.....	010.32	scissors, lobectomy, WILLAUER.....	010.78
scissors, dissecting, PECK-JOSEPH..... 010.46-	010.47	scissors, nasal, CAPLAN.....	010.57
scissors, dissecting, POTTS-SMITH.....	010.67	scissors, nasal, COTTLE.....	010.55
scissors, dissecting, RAGNELL, TC.....	011.16	scissors, nasal, FOMON.....	010.56
scissors, dissecting, REYNOLDS.....	010.30	scissors, nasal, HALLE.....	010.56
scissors, dissecting, REYNOLDS, CC.....	014.7	scissors, nasal, HEYMANN.....	010.55
scissors, dissecting, SANVENERO.....	010.32	scissors, neurosurgical, DANDY.....	010.52
scissors, dissecting, SHEA VEIN GRAFT.....	010.29	scissors, neurosurgical, STRULLY.....	010.51
scissors, dissecting, THOREK.....	010.31	scissors, operating.....	010.2- 010.7
scissors, dissecting, TOENNIS.....	010.44	scissors, operating BONN.....	010.38
scissors, dissecting, TOENNIS-ADSON.....	010.24	scissors, operating, BROPHY(SULLIVAN).....	010.40
scissors, dissecting, TOENNIS-ADSON, TC.....	011.14	scissors, operating, DEAVER.....	010.8
scissors, dura, SCMIEDEN-TAYLOR.....	010.52	scissors, operating, FERGUSSON.....	010.41
scissors, enterotomy.....	010.75	scissors, operating, fine.....	010.33, 010.36, 010.39
scissors, enucleation.....	010.34	scissors, operating, fine, WAGNER.....	010.34
scissors, episiotomy.....	010.79	scissors, operating, GRAEFE.....	010.37
scissors, episiotomy, BRAUN-STADLER.....	010.80	scissors, operating, LANDOLT.....	010.42
scissors, episiotomy, WALDMANN.....	010.79	scissors, operating, MAYO.....	010.10
scissors, face-lift, ASTON.....	010.46	scissors, operating, MAYO, CC.....	014.3
scissors, face-lift, GORNEY.....	010.45	scissors, operating, MAYO, SC.....	012.3
scissors, face-lift, GORNEY, TC.....	011.19	scissors, operating, MAYO, TC.....	011.4
scissors, face-lift, REES, TC.....	011.19	scissors, operating, MAYO-HARRINGTON.....	010.14
scissors, fistula, KELLY.....	010.72	scissors, operating, MAYO-NOBLE.....	010.13
scissors, fistula, KELLY, CC.....	014.8	scissors, operating, MAYO-STILLE.....	010.11- 010.12
scissors, fistula, KELLY, TC.....	011.21	scissors, operating, MAYO-STILLE, CC.....	014.4
scissors, gum-, DEAN.....	010.85	scissors, operating, MAYO-STILLE, TC.....	011.5
scissors, gum, DEAN, TC.....	011.22	scissors, operating, O'BRIEN.....	010.39
scissors, gum-, GOLDMANN-FOX.....	010.85	scissors, operating, RIBBON.....	010.37
scissors, gum, GOLDMANN-FOX, SC.....	012.9	scissors, operating, RICHTER.....	010.41
scissors, gum, GOLDMANN-FOX, TC.....	011.22	scissors, operating, SALYER.....	010.13
scissors, gum-, LA GRANGE.....	010.86	scissors, operating, TC.....	011.3
scissors, gum-, LOCKLIN.....	010.86	scissors, operating, WILMER.....	010.36
scissors, gum, LOCKLIN, TC.....	011.23	scissors, PARAMETRIUM, TC.....	011.6
scissors, gynecological, DOYEN.....	010.70	scissors, plaster.....	010.94
scissors, gynecological, DUBOIS.....	010.74	scissors, plaster, BERGMANN.....	010.91
scissors, gynecological, SIEBOLD.....	010.71	scissors, plaster, BRUNS.....	010.93
scissors, gynecological, SIMS.....	010.69	scissors, plaster, BRUNS, TC.....	011.25
scissors, gynecological, SIMS, TC.....	011.21	scissors, plaster, SEUTIN.....	010.94
scissors, gynecological, SIMS-SIEBOLD.....	010.71	scissors, RECTAL.....	010.77
scissors, gynecological, WERTHEIM.....	010.73	scissors, sissecting, TOENNIS-ADSON, SC.....	012.6
scissors, incision.....	010.40	scissors, strabismus.....	010.35
scissors, iris.....	010.35, 010.37	scissors, strabismus, SC.....	012.7



## Index, alphabetical

scissors, tenotomy, STEVENS.....	010.43
scissors, tenotomy, STEVENS, SC.....	012.8
scissors, tonsil, BOETTCHER.....	010.58
scissors, tonsil, GOOD.....	010.59
scissors, tonsil, KIRSTEIN.....	010.58
scissors, tonsil, PRINCE.....	010.59
scissors, trigeminal, OLIVECRONA.....	010.54
scissors, umbilical, BUSCH.....	010.82
scissors, umbilical, MOD. USA.....	010.81
scissors, umbilical, SCHUMACHER.....	010.81
scissors, vascular.....	010.66- 010.67
scissors, vascular, DE BAKEY.....	010.60
scissors, vascular, DE BAKEY, TC.....	011.20
scissors, vascular, DE BAKY.....	010.64- 010.65
scissors, vascular, DIETHRICH-HEGEMANN.....	010.62
scissors, vascular, DIETRICH.....	010.64
scissors, vascular, DIETRICH-HEGEMANN, CC.....	014.8
scissors, vascular, FAVALORO.....	010.65
scissors, vascular, KLINGENBERG-LOTH.....	010.68
scissors, vascular, LINCOLN.....	010.53
scissors, vascular, MC INDOE.....	010.61
scissors, vascular, MC INDOE.....	010.66
scissors, vascular, POTTS-DE MARTEL.....	010.61
scissors, vascular, POTTS-SMITH.....	010.63
scissors, vascular, POTTS-SMITH, SC.....	012.8
scissors, vascular, SATINSKY.....	010.68
scissors, wire cutting, BEEBEE.....	010.84
scissors, wire cutting, UNIVERSAL.....	010.84
scissors, wire cutting, UNIVERSAL, TC.....	011.24
SEUTIN, plaster scissors.....	010.94
SHEA VEIN GRAFT, dissecting scissors.....	010.29
SIEBOLD, gynecological scissors.....	010.71
SIMS, gynecological scissors.....	010.69
SIMS, gynecological scissors, TC.....	011.21
SIMS-SIEBOLD, gynecological scissors.....	010.71
SPENCER ligature scissors.....	010.48
STELZNER, lobectomy scissors.....	010.77
STEVENS, tenotomy scissors.....	010.43
STEVENS, tenotomy scissors, SC.....	012.8
strabismus scissors.....	010.35
strabismus scissors, SC.....	012.7
STRULLY, neurosurgical scissors.....	010.51

### T

tenotomy scissors, STEVENS.....	010.43
tenotomy scissors, STEVENS, SC.....	012.8
THOREK, dissecting scissors.....	010.31
TOENNIS, dissecting scissors.....	010.44
TOENNIS-ADSON, dissecting scissors.....	010.24
TOENNIS-ADSON, dissecting scissors, SC.....	012.6
TOENNIS-ADSON, dissecting scissors, TC.....	011.14
tonsil scissors, BOETTCHER.....	010.58
tonsil scissors, GOOD.....	010.59
tonsil scissors, KIRSTEIN.....	010.58
tonsil scissors, PRINCE.....	010.59
trigeminal scissors, OLIVECRONA.....	010.54

### U

umbilical scissors, BUSCH.....	010.82
umbilical scissors, MOD. USA.....	010.81
umbilical scissors, SCHUMACHER.....	010.81
UNIVERSAL, bandage scissors.....	010.95
UNIVERSAL, wire cutting scissors.....	010.83
UNIVERSAL, wire cutting scissors, TC.....	011.24

### V

vascular scissors, DIETRICH-HEGEMANN, CC.....	014.8
vascular scissors.....	010.66- 010.67
vascular scissors, DE BAKEY.....	010.60, 010.64- 010.65
vascular scissors, DE BAKEY, TC.....	011.20
vascular scissors, DIETHRICH.....	010.64
vascular scissors, DIETHRICH-HEGEMANN.....	010.62
vascular scissors, FAVALORO.....	010.65
vascular scissors, KLINKENBERG-LOTH.....	010.68
vascular scissors, LINCOLN.....	010.53
vascular scissors, MC INDOE.....	010.61, 010.66
vascular scissors, POTTS-DE MARTEL.....	010.61
vascular scissors, POTTS-SMITH.....	010.63
vascular scissors, POTTS-SMITH, SC.....	012.8
vascular scissors, SATINSKY.....	010.68

### W

WAGNER, fine operating scissors.....	010.34
WALDMANN, episiotomy scissors.....	010.79
WERTHEIM, gynecological scissors.....	010.73
WILLAUER, lobectomy scissors.....	010.78
WILMER, operating scissors.....	010.36
wire cutting scissors, BEEBEE.....	010.84
wire cutting scissors, UNIVERSAL.....	010.83
wire cutting scissors, UNIVERSAL, TC.....	011.24