

Urologie
Urology

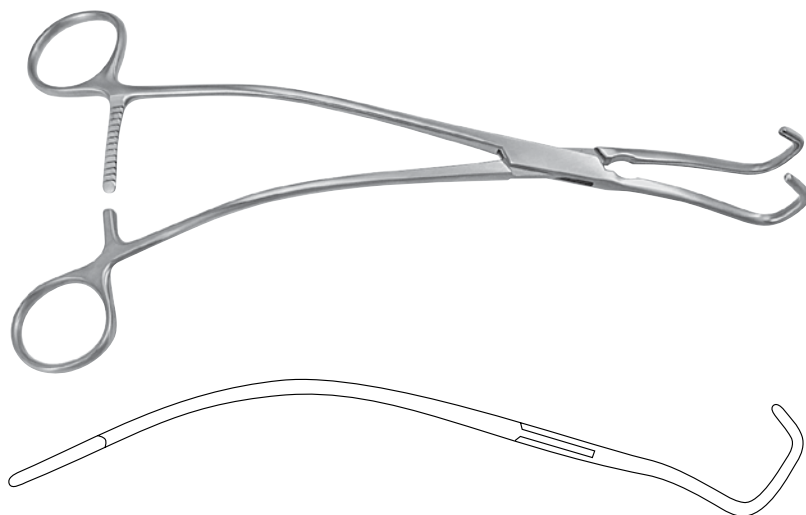
170



Klemmen
 Forceps
 Pinza

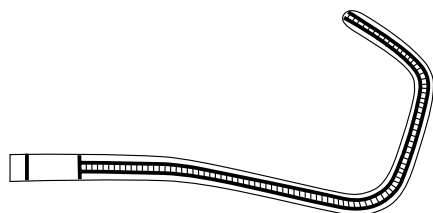


Art.Nr.	Beschreibung Description	Size	Spez.
	URO-TANGENTIAL ATRAUMA	26,0cm; 10 2/8"	



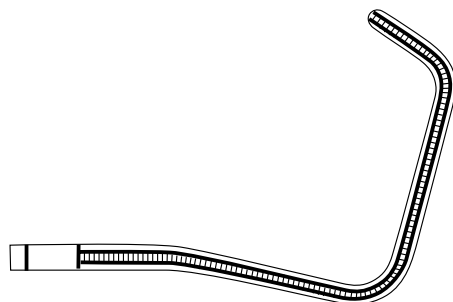
170-055-01

Fig. 1



170-055-02

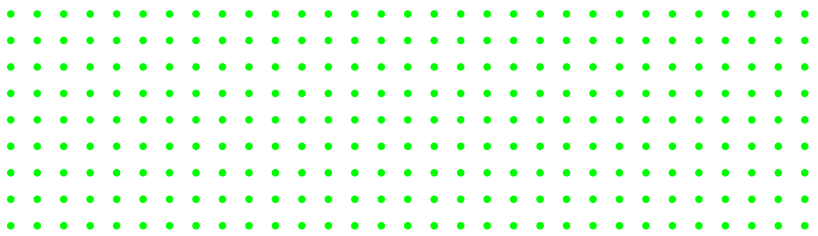
Fig. 2



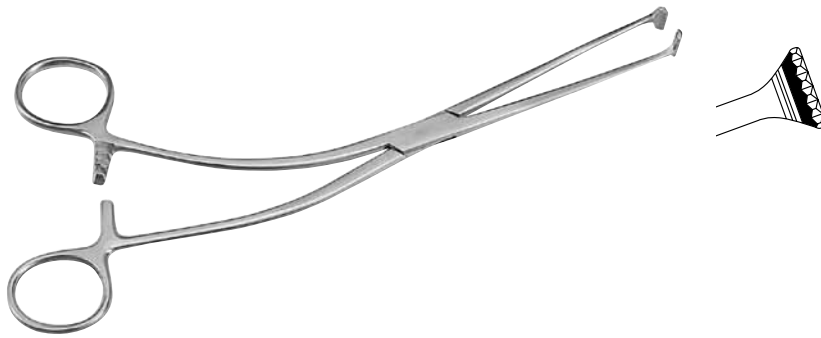
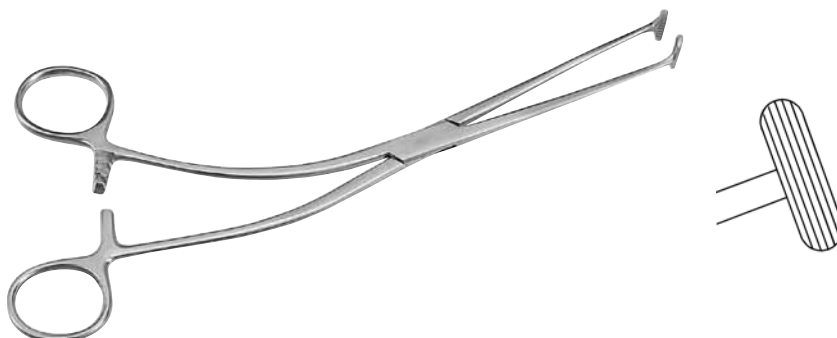
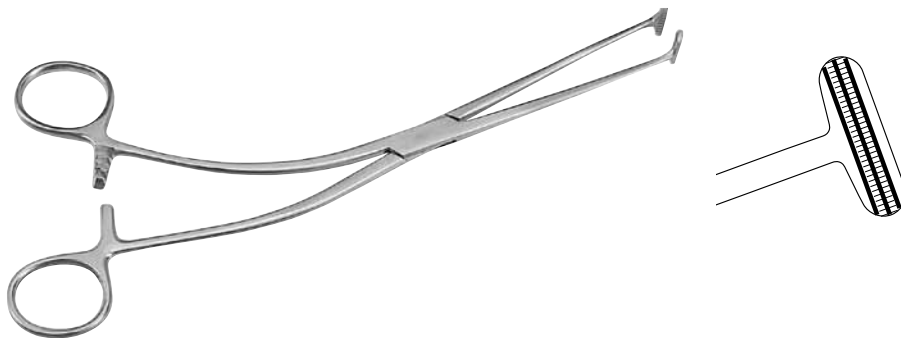
170

170

Kapselfasszange; Fadenführungszange
 Capsule Forceps; Ligature Carrying forceps
 Pinza capsulares; Pinza porta ligaduras



Art.Nr.	Beschreibung Description	Size	Spez.
170-071-24	MILLIN ATRAUMA	24,5cm; 9 5/8"	
170-073-23	MILLIN	24,5cm; 9 5/8"	
170-075-23	MILLIN	22,0cm; 8 5/8"	9 x 10
170-077-24	MILLIN	24,0cm; 9 4/8"	



170

Fremdkörperzange; Urethrotom
 Foreign Body Forceps; urethrotome
 Pinza para cuerpos extraños; uretrótomo

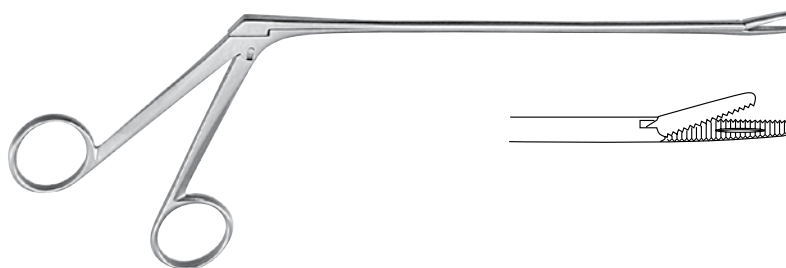


Art.Nr.	Beschreibung Description	Size	Spez.
---------	----------------------------	------	-------

MATHIEU

170-080-20 20,0cm; 7 7/8"

170-080-28 28,0cm; 11"



170-100-00 OTIs komplett im Holzetui, mit Dilatator, 2 Messern und 3 Ansätzen
 complete in wooden case, with dilator, 2 knives and 3 tips
 completo en caja de madera, con dilatador, 2 cuchillos y 3 puntas

SET

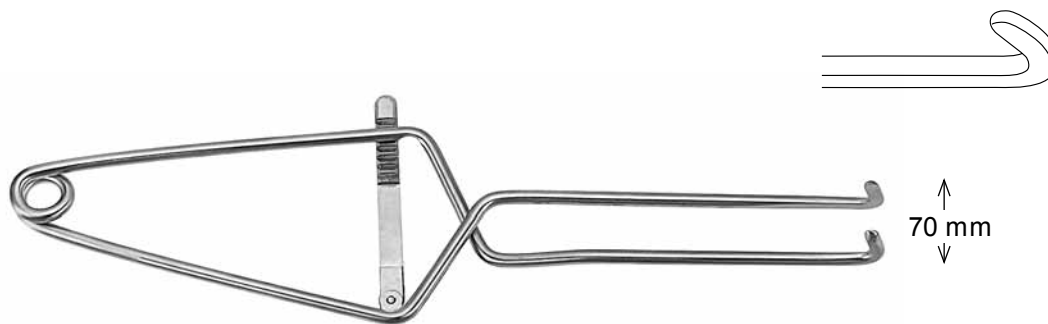


170-100-10 Ersatzmesser allein
 spare blade only
 cuchillo de repuesto

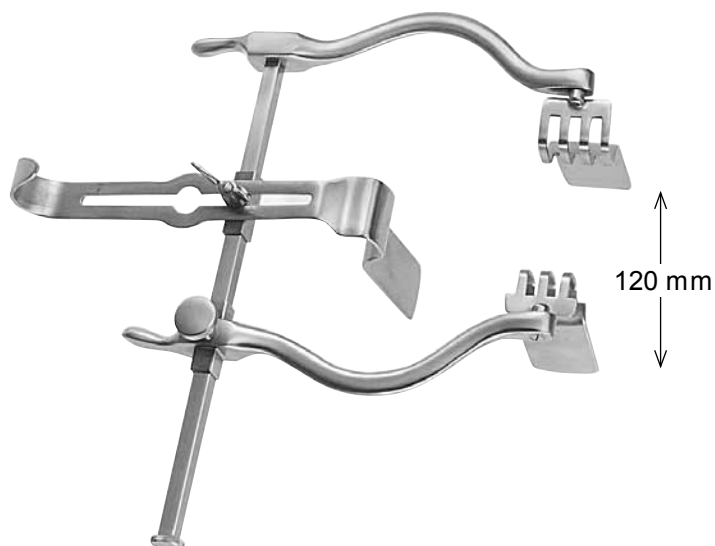


170

Art.Nr.	Beschreibung Description	Size	Spez.
170-150-28	MILLIN	29,5cm; 11 5/8"	



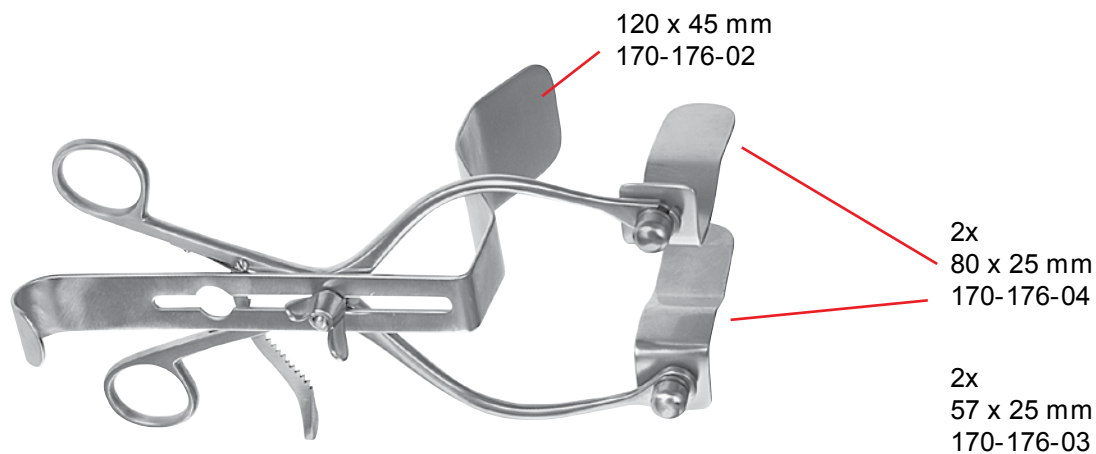
170-172-00	JUDD-MASSON		
------------	-------------	--	--



Blasenwundspreizer
Bladder Retractors
Separador vesicales



Art.Nr.	Beschreibung Description	Size	Spez.
170-176-00	MILLIN mit Seitenvalven; mit Mittevalve with lateral valves; with centerblade con valvas laterales y valva centrale		SET



170-176-02	Mittelvalve allein central blade only valva central	120 x 45 mm
------------	---	-------------

170-176-03	Seitenvalven; Paar lateral blades; pair valvas laterales; par	57 x 25 mm
------------	---	------------

170-176-04	Seitenvalven; Paar lateral blades; pair valvas laterales; par	80 x 25 mm
------------	---	------------

Prostatahaken
Prostatic Retractors
Separadores para próstata

Art.Nr.	Beschreibung Description	Size	Spez.
170-230-21	YOUNG	21,5cm; 8 4/8"	



170-236-22	YOUNG	22,0cm; 8 5/8"	
------------	-------	----------------	--



170-238-21	YOUNG	21,5cm; 8 4/8"	
------------	-------	----------------	--



170-240-22	YOUNG	23,0cm; 9"	
------------	-------	------------	--



Blasenspatel; Penisklemmen
Bladder spatula; Penis Clamps



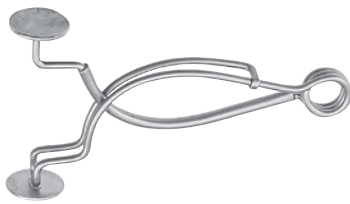
Art.Nr.	Beschreibung Description	Size	Spez.
170-250-26	LEGUEU	27,0cm; 10 5/8" 35 mm	



170-257-23	KOCHER	26,0cm; 10 2/8" 67 mm	
------------	--------	--------------------------	--



170-345-08	STOCKMANN	8,0cm; 3 1/8"	
------------	-----------	---------------	--



170-349-11	STRAUSS	11,0cm; 4 3/8"	
------------	---------	----------------	--



170

Circumcisionsgerät; Gleitsonde
 Circumcision instrument; filiform bougie
 Instrumento para circuncisión; sonda filiforme

Art.Nr.	Beschreibung Description	Size	Spez.
---------	----------------------------	------	-------

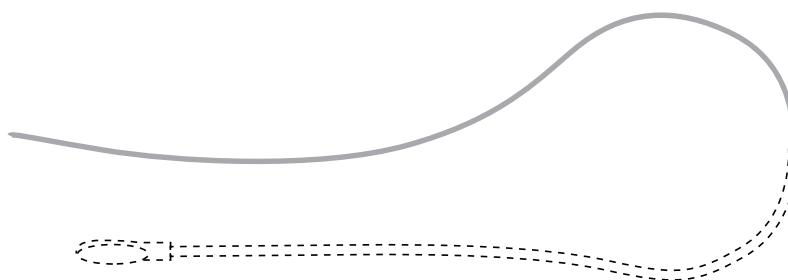
COMCO



- | | | | |
|------------|--|-----------|--|
| 170-350-08 | für Säuglinge
for infants para Lactantes | Ø 8,0 mm | |
| 170-350-11 | für Knaben
for boys para Nino | Ø 11,0 mm | |
| 170-350-13 | für Knaben
for boys para Nino | Ø 13,0 mm | |
| 170-350-16 | für Jugendliche
for teenager para adolescente | Ø 16,0 mm | |
| 170-350-21 | für Jugendliche
for teenager para adolescente | Ø 21,0 mm | |
| 170-350-26 | für men
for teenager para hombres | Ø 26,0 mm | |
| 170-350-32 | für men
for teenager para hombres | Ø 32,0 mm | |

FILIFORM mit Schraubgewinde
 with screw thread
 con rosa de tornillo

- | | | | |
|------------|----------|--|--|
| 170-605-03 | 3 Charr. | | |
| 170-605-04 | 4 Charr. | | |
| 170-605-05 | 5 Charr. | | |
| 170-605-06 | 6 Charr. | | |



Harnröhrenbougie
 Urethral sound
 Bujías uretrales



Art.Nr.	Beschreibung Description	Size	Spez.
---------	----------------------------	------	-------

GUYON

26,5cm; 10 3/8"



- 170-610-10 Charr. 10
- 170-610-11 Charr. 11
- 170-610-12 Charr. 12
- 170-610-13 Charr. 13
- 170-610-14 Charr. 14
- 170-610-15 Charr. 15
- 170-610-16 Charr. 16
- 170-610-17 Charr. 17
- 170-610-18 Charr. 18
- 170-610-19 Charr. 19
- 170-610-20 Charr. 20
- 170-610-21 Charr. 21
- 170-610-22 Charr. 22
- 170-610-23 Charr. 23
- 170-610-24 Charr. 24
- 170-610-25 Charr. 25
- 170-610-26 Charr. 26
- 170-610-27 Charr. 27
- 170-610-28 Charr. 28
- 170-610-29 Charr. 29
- 170-610-30 Charr. 30

170-610-00 Set mit 21 Bougies und 4 Gleitsonden im Metalletui
 Set with 21 sounds and 4 f liform bougies in metal case
 Set con 21 bujías y 4 sondas f liformes en caja de metálica

170

Harnröhrenbougie
 Urethral sound
 Bujías uretrales

Art.Nr.	Beschreibung Description	Size	Spez.
	VAN BUREN	27,0cm; 10 5/8"	



170-620-08	Charr. 8
170-620-10	Charr. 10
170-620-12	Charr. 12
170-620-14	Charr. 14
170-620-16	Charr. 16
170-620-18	Charr. 18
170-620-20	Charr. 20
170-620-22	Charr. 22
170-620-24	Charr. 24
170-620-26	Charr. 26
170-620-28	Charr. 28
170-620-30	Charr. 30
170-620-32	Charr. 32
170-620-34	Charr. 34
170-620-36	Charr. 36
170-620-99	Satz 15 Bougies; 8 Charr.- 36 Charr. Set 15 Bougies; 8 Charr.- 36 Charr. Set 15 Bougies; 8 Charr.- 36 Charr.

Weitere Artikel
further items
más artículos



Art.Nr.	Beschreibung Description	Size	Spez.
Other items available but not illustrated			
170-102-00	OTIS urethrotome Keitzer; for children		
170-102-10	knife only for Keizer urethrtome		
170-104-01 170-104-02	MAISONNEUVE urethrotome		
170-160-00	LEGUEU bladder retractor		
170-170-00	JUDD-MASSON bladder retractor		
170-176-01	MILLIN bladder retractor; only	21,5cm; 8,6"	
170-182-00	THOMSON -WALKER bladder retractor		
170-257-26	KOCHER bladder spatula; 67mm	26,0cm; 10,4"	
170-268-36 170-268-39 170-269-35	GUYON catheter introducing instrument curved straight curved	35,0cm; 13,8" 39,0cm; 15,4" 35,0cm; 13,8"	
170-310-26	GUTTMANN secretion spoon	26,5cm; 10,6"	
170-340-00	ZIPSER penis clamp		
170-350-14	circumcision instrument; for boys; 14,5mm		
170-360-00 170-360-01	KNUTSON circumcision instrument cone only		
170-610-06 170-610-07 170-610-08 170-610-09 170-610-31 170-610-32 170-610-33 170-610-34 170-610-35 170-610-36 170-610-37 170-610-38 170-610-39 170-610-40 170-612-10 170-612-11	GUYON urethral sound 6 Charr. 7 Charr. 8 Charr. 9 Charr. 31 Charr. 32 Charr. 33 Charr. 34 Charr. 35 Charr. 36 Charr. 37 Charr. 38 Charr. 39 Charr. 40 Charr. 10 Charr.; with inside thread 11 Charr.; with inside thread	26,5cm; 10,6"	

170

Weitere Artikel
 further items
 más artículos

Art.Nr.	Beschreibung Description	Size	Spez.
Other items available but not illustrated			
	GUYON urethral sound	26,5cm; 10,6"	
170-612-12	12 Charr.; with inside thread		
170-612-13	13 Charr.; with inside thread		
170-612-14	14 Charr.; with inside thread		
170-612-15	15 Charr.; with inside thread		
170-612-16	16 Charr.; with inside thread		
170-612-17	17 Charr.; with inside thread		
170-612-18	18 Charr.; with inside thread		
170-612-19	19 Charr.; with inside thread		
170-612-20	20 Charr.; with inside thread		
170-612-21	21 Charr.; with inside thread		
170-612-22	22 Charr.; with inside thread		
170-612-23	23 Charr.; with inside thread		
170-612-24	24 Charr.; with inside thread		
170-612-25	25 Charr.; with inside thread		
170-612-26	26 Charr.; with inside thread		
170-612-27	27 Charr.; with inside thread		
170-612-28	28 Charr.; with inside thread		
170-612-29	29 Charr.; with inside thread		
170-612-30	30 Charr.; with inside thread		
	COXETER metal catheter		
170-614-08	8 Charr.		
170-614-10	10 Charr.		
170-614-12	12 Charr.		
170-614-14	14 Charr.		
170-614-16	16 Charr.		
170-614-18	18 Charr.		
170-614-20	20 Charr.		
170-614-22	22 Charr.		
170-614-24	24 Charr.		
	CAMPBELL urethral sound	24,0cm; 9,6"	
170-616-06	6 Charr.		
170-616-08	8 Charr.		
170-616-10	10 Charr.		
170-616-12	12 Charr.		
170-616-14	14 Charr.		
170-616-16	16 Charr.		
170-616-18	18 Charr.		
170-616-20	20 Charr.		
170-616-22	22 Charr.		
	MC CREA urethral sound	19,5cm; 7,8"	
170-618-06	6 Charr.		
170-618-08	8 Charr.		
170-618-10	10 Charr.		
170-618-12	12 Charr.		
170-618-14	14 Charr.		
170-618-16	16 Charr.		

Weitere Artikel
further items
más artículos



Art.Nr.	Beschreibung Description	Size	Spez.
---------	----------------------------	------	-------

Other items available but not illustrated

	MC CREA urethral sound	19,5cm; 7,8"	
170-618-18	18 Charr.		
170-618-20	20 Charr.		
170-618-22	22 Charr.		
170-618-24	24 Charr.		
170-618-26	26 Charr.		
170-618-28	28 Charr.		
170-618-30	30 Charr.		
170-618-32	32 Charr.		
170-618-34	34 Charr.		
170-618-36	36 Charr.		

170-620-38	VAN BUREN urethral sound; 38 Charr.	27,5cm; 11"	
------------	-------------------------------------	-------------	--

170-624-00	DITTEL urethral sound; straight; set 10 - 30 Fr.		
------------	--	--	--

	DITTEL urethral sound		
170-624-08	straight; Fr. 8; Ø 2 2/3mm		
170-624-09	straight; Fr. 9; Ø 3mm		
170-624-10	straight; Fr. 10; Ø 3 1/3mm		
170-624-11	straight; Fr. 11; Ø 3 2/3mm		
170-624-12	straight; Fr. 12; Ø 4mm		
170-624-13	straight; Fr. 13; Ø 4 1/3mm		
170-624-14	straight; Fr. 14; Ø 4 2/3mm		
170-624-15	straight; Fr. 15; Ø 5mm		
170-624-16	straight; Fr. 16; Ø 5 1/3mm		
170-624-17	straight; Fr. 17; Ø 5 2/3mm		
170-624-18	straight; Fr. 18; Ø 6mm		
170-624-19	straight; Fr. 19; Ø 6 1/3mm		
170-624-20	straight; Fr. 20; Ø 6 2/3mm		
170-624-21	straight; Fr. 21; Ø 7mm		
170-624-22	straight; Fr. 22; Ø 7 1/3mm		
170-624-23	straight; Fr. 23; Ø 7 2/3mm		
170-624-24	straight; Fr. 24; Ø 8mm		
170-624-25	straight; Fr. 25; Ø 8 1/3mm		
170-624-26	straight; Fr. 26; Ø 8 2/3mm		
170-624-27	straight; Fr. 27; Ø 9mm		
170-624-28	straight; Fr. 28; Ø 9 1/3mm		
170-624-29	straight; Fr. 29; Ø 9 2/3mm		
170-624-30	straight; Fr. 30; Ø 10mm		
170-625-00	curved; set 10 - 30 Fr.		
170-625-08	curved; Fr. 8; Ø 2 2/3mm		
170-625-09	curved; Fr. 9; Ø 3mm		
170-625-10	curved; Fr. 10; Ø 3 1/3mm		
170-625-11	curved; Fr. 11; Ø 3 2/3mm		
170-625-12	curved; Fr. 12; Ø 4mm		
170-625-13	curved; Fr. 13; Ø 4 1/3mm		
170-625-14	curved; Fr. 14; Ø 4 2/3mm		
170-625-15	curved; Fr. 15; Ø 5mm		
170-625-16	curved; Fr. 16; Ø 5 1/3mm		

Weitere Artikel
 further items
 más artículos

Art.Nr.	Beschreibung Description	Size	Spez.
---------	----------------------------	------	-------

Other items available but not illustrated

	DITTEL urethral sound		
170-625-17	curved; Fr. 17; Ø 5 2/3mm		
170-625-18	curved; Fr. 18; Ø 6mm		
170-625-19	curved; Fr. 19; Ø 6 1/3mm		
170-625-20	curved; Fr. 20; Ø 6 2/3mm		
170-625-21	curved; Fr. 21; Ø 7mm		
170-625-22	curved; Fr. 22; Ø 7 1/3mm		
170-625-23	curved; Fr. 23; Ø 7 2/3mm		
170-625-24	curved; Fr. 24; Ø 8mm		
170-625-25	curved; Fr. 25; Ø 8 1/3mm		
170-625-26	curved; Fr. 26; Ø 8 2/3mm		
170-625-27	curved; Fr. 27; Ø 9mm		
170-625-28	curved; Fr. 28; Ø 9 1/3mm		
170-625-29	curved; Fr. 29; Ø 9 2/3mm		
170-625-30	curved; Fr. 30; Ø 10mm		

	JEWETT urethral sound	24,0cm; 9,6"	
170-630-06	6 charr.		
170-630-08	8 charr.		
170-630-10	10 charr.		
170-630-12	12 charr.		
170-630-14	14 charr.		
170-630-16	16 charr.		
170-630-18	18 charr.		
170-630-20	20 charr.		
170-630-22	22 charr.		
170-630-24	24 charr.		
170-630-26	26 charr.		
170-630-28	28 charr.		
170-630-30	30 charr.		
170-630-32	32 charr.		
170-630-34	34 charr.		

	OTIS urethral sound	30,0cm; 12"	
170-632-08	8 charr.		
170-632-10	10 charr.		
170-632-12	12 charr.		
170-632-14	14 charr.		
170-632-16	16 charr.		
170-632-18	18 charr.		
170-632-20	20 charr.		
170-632-22	22 charr.		
170-632-24	24 charr.		
170-632-26	26 charr.		
170-632-28	28 charr.		
170-632-30	30 charr.		
170-632-32	32 charr.		
170-632-34	34 charr.		
170-632-36	36 charr.		
170-632-38	38 charr.		

Weitere Artikel
further items
más artículos



Art.Nr.	Beschreibung Description	Size	Spez.
Other items available but not illustrated			
170-632-40	OTIS urethral sound 40 charr.	30,0cm; 12"	
170-634-06	LEFORT urethral sound 6 charr.	28,0cm; 11,2"	
170-634-08	8 charr.		
170-634-10	10 charr.		
170-634-12	12 charr.		
170-634-14	14 charr.		
170-634-16	16 charr.		
170-634-18	18 charr.		
170-634-20	20 charr.		
170-634-22	22 charr.		
170-634-24	24 charr.		
170-634-26	26 charr.		
170-634-28	28 charr.		
170-634-30	30 charr.	29,0cm; 11,6"	
170-634-32	32 charr.		
170-634-34	34 charr.		
170-634-36	36 charr.		
170-650-08	metal catheter for men 8 charr.		
170-650-09	9 charr.		
170-650-10	10 charr.		
170-650-11	11 charr.		
170-650-12	12 charr.		
170-650-13	13 charr.		
170-650-14	14 charr.		
170-650-15	15 charr.		
170-650-16	16 charr.		
170-650-17	17 charr.		
170-650-18	18 charr.		
170-650-19	19 charr.		
170-650-20	20 charr.		
170-650-21	21 charr.		
170-650-22	22 charr.		
170-650-23	23 charr.		
170-650-24	24 charr.		
170-660-08	metal catheter for women 8 charr.	16,0cm; 6,4"	
170-660-10	10 charr.		
170-660-12	12 charr.		
170-660-14	14 charr.		
170-660-16	16 charr.		
170-660-18	18 charr.		
170-660-20	20 charr.		
170-660-22	22 charr.		
170-660-24	24 charr.		

170

Alphabetisches verzeichnis

B		V	
Blasenspatel, KOCHER.....	170.8	Valve für Blasenwundspreizer, MILLIN	170.6
Blasenspatel, LEGUEU.....	170.8	VAN BUREN, Harnröhrenbougie	170.11
Blasenwundspreizer, JUDD-MASSON	170.5	Y	
Blasenwundspreizer, MILLIN.....	170.5, 170.6	YOUNG, Prostatahaken	170.7
C			
Circumensionsgerät, COMCO	170.9		
COMCO, Circumensionsgerät	170.9		
F			
Fadenführungszange, MILLIN	170.3		
FILIFORM, Gleitsonde.....	170.9		
Fremdkörperzange, MATHIEU.....	170.4		
G			
Gleitsonde, FILIFORM	170.9		
GUYON, Harnröhrenbougie	170.10		
H			
Harnröhrenbougie, GUYON	170.10		
Harnröhrenbougie, VAN BUREN	170.11		
J			
JUDD-MASSON, Blasenwundspreizer.....	170.5		
K			
Kapselfasszange, MILLIN.....	170.3		
Klemme, URO-TANGENTIAL.....	170.2		
KOCHER, Blasenspatel.....	170.8		
L			
LEGUEU, Blasenspatel.....	170.8		
M			
MATHIEU, Fremdkörperzange.....	170.4		
MILLIN, Blasenwundspreizer.....	170.5, 170.6		
MILLIN, Fadenführungszange	170.3		
MILLIN, Kapselfasszange.....	170.3		
MILLIN, Valve für Blasenwundspreizer.....	170.6		
O			
OTIS, Urethrotom	170.4		
P			
Penisklemme, STOCKMANN	170.8		
Penisklemme, STRAUSS.....	170.8		
Prostatahaken, YOUNG	170.7		
S			
STOCKMANN, Penisklemme	170.8		
STRAUSS, Penisklemme.....	170.8		
U			
Urethrotom, OTIS	170.4		
URO-TANGENTIAL, Klemme.....	170.2		



Index, alphabetical

B		V	
bladder retractor, JUDD-MASSON.....	170.5	VAN BUREN, urethral sound	170.11
bladder retractor, MILLIN	170.5, 170.6	Y	
bladder spatula, KOCHER.....	170.8	YOUNG, prostatic retractors	170.7
bladder spatula, LEGUEU	170.8		
bougie, FILIFORM	170.9		
C			
capsule forceps, MILLIN	170.3		
circumcision instrument, COMCO	170.9		
COMCO, circumcision instrument	170.9		
F			
FILIFORM, bougie	170.9		
forceps, URO-TANGENTIAL.....	170.2		
foreign body forceps, MATHIEU.....	170.4		
G			
GUYON, urethral sound	170.10		
J			
JUDD-MASSON, bladder retractor	170.5		
K			
KOCHER, bladder spatula.....	170.8		
L			
LEGUEU, bladder spatula	170.8		
ligature carrying forceps, MILLIN	170.3		
M			
MATHIEU, foreign body forceps.....	170.4		
MILLIN, bladder retractor	170.5, 170.6		
MILLIN, capsule forceps	170.3		
MILLIN, ligature carrying forceps	170.3		
O			
OTIS, urethrotome.....	170.4		
P			
penis clamp, STOCKMANN	170.8		
penis clamp, STRAUSS.....	170.8		
prostatic retractors, YOUNG	170.7		
S			
STOCKMANN, penis clamp	170.8		
STRAUSS, penis clamp.....	170.8		
U			
urethral sound, GUYON	170.10		
urethral sound, VAN BUREN	170.11		
urethrotome, OTIS.....	170.4		
URO-TANGENTIAL, forceps.....	170.2		

Indice, alfabético

B		U	
bujías uretrales, GUYON	170.10	uretrótomo, OTIS.....	170.4
bujías uretrales, VAN BUREN	170.11	URO-TANGENTIAL, Klemme.....	170.2
C		V	
clamp para pene, STOCKMANN.....	170.8	VAN BUREN, bujías uretrales.....	170.11
clamp para pene, STRAUSS.....	170.8	Y	
COMCO, instrumento para circuncisión	170.9	YOUNG, separadores para próstata	170.7
E			
espátula vesical, KOCHER.....	170.8		
espátula vesical, LEGUEU.....	170.8		
F			
FILIFORM, sonda f líforme.....	170.9		
G			
GUYON, bujías uretrales	170.10		
I			
instrumento para circuncisión, COMCO	170.9		
J			
JUDD-MASSON, separador vesicales	170.5		
K			
Klemme, URO-TANGENTIAL.....	170.2		
KOCHER, espátula vesical	170.8		
L			
LEGUEU, espátula vesical.....	170.8		
M			
MATHIEU, pinza para cuerpos extraños	170.4		
MILLIN, pinza capsulare.....	170.3		
MILLIN, pinza porta ligaduras	170.3		
MILLIN, separador vesicales.....	170.5, 170.6		
O			
OTIS, uretrótomo.....	170.4		
P			
pinza capsulare, MILLIN.....	170.3		
pinza para cuerpos extraños, MATHIEU	170.4		
pinza porta ligaduras, MILLIN	170.3		
S			
separador vesicales, JUDD-MASSON	170.5		
separador vesicales, MILLIN.....	170.5, 170.6		
separadores para próstata, YOUNG.....	170.7		
sonda f líforme, FILIFORM.....	170.9		
STOCKMANN, clamp para pene.....	170.8		
STRAUSS, clamp para pene	170.8		