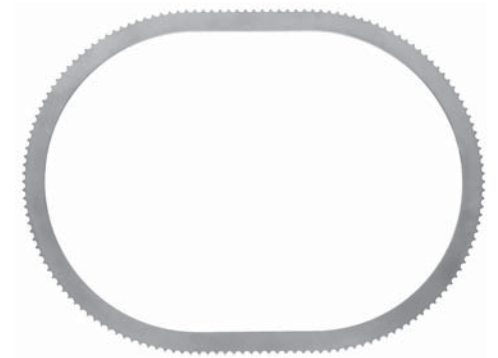




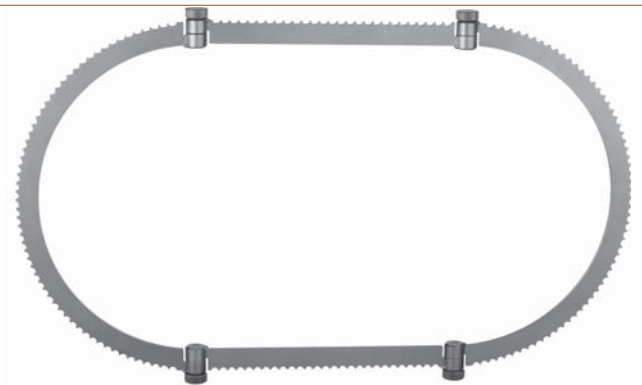
Ring Retractor System

Ring Retractor System

Art. No.	Description	Size
	Frame oval	
074-896-01	small	203 x 311 x 4 mm
074-896-02	medium	267 x 368 x 4 mm
074-896-03	large	267 x 470 x 4 mm



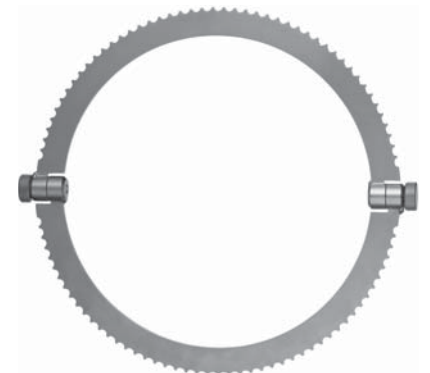
Art. No.	Description	Size
	Frame oval and segmented	
074-896-05	small	216 x 343 x 4 mm
074-896-06	medium	267 x 495 x 4 mm
074-896-07	large	495 x 317 x 4 mm




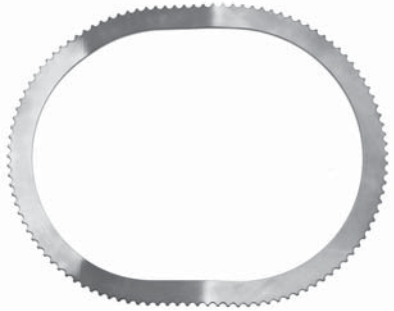


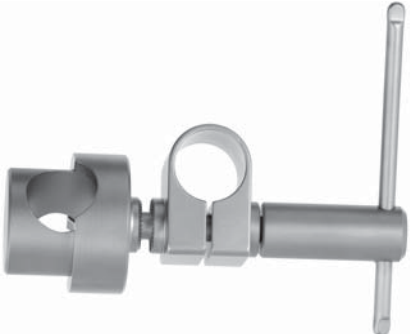
Art. No.	Description	Size
	Frame round	
074-896-10	small	Ø 216 mm x 4 mm
074-896-11	medium	Ø 267 mm x 4 mm
074-896-12	large	Ø 317 mm x 4 mm







Art. No.	Description	Size
	Frame round and segmented	
074-896-15	small	Ø 216 mm x 4 mm
074-896-16	medium	Ø 267 mm x 4 mm



Ring Retractor System

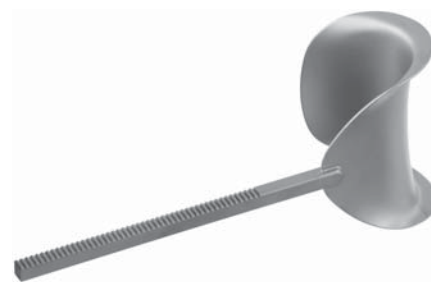
Art. No.	Description	Size	
074-896-20 074-896-21 074-896-22	Segment pieces, pair	102 mm 152 mm 203 mm	
074-896-19	Vaginal frame, oval	203 x 266 x 4 mm	
074-896-25	Standard ratchet		
074-896-27 Ø 074-896-28 Ø	Tilt ratchet mechanism	opening for ring size 5 1 m opening for ring size 4 1 m	
074-896-29	Post coupling		

Ring Retractor System

Art. No.	Description	Size	
074-896-30	Table post clamping device		
074-896-32	Extension bar	305 mm	
074-896-34	Horizontal bar to hold the frame	406 mm	
074-896-36	Horizontal flex bar		

Ring Retractor System

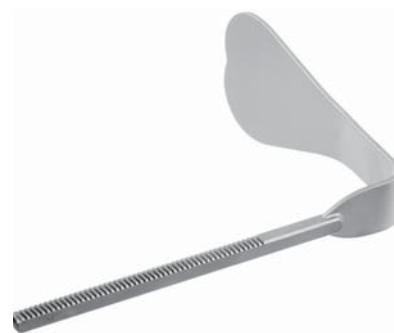
Art. No.	Description	Size
	BALFOUR retractor blade 220 mm	
074-896-40		68 x 85 mm
074-896-41		70 x 75 mm



	KELLY retractor blade 180 mm	
074-896-44		63 x 51 mm
074-896-45		51 x 51 mm
074-896-46		75 x 65 mm
074-896-47		76 x 51 mm
074-896-48		102 x 51 mm
074-896-49		127 x 51 mm
074-896-50		154 x 51 mm
074-896-51		190 x 50 mm



	HARRINGTON retractor blade, heart shaped 200 mm	
074-896-53		145 x 64 mm

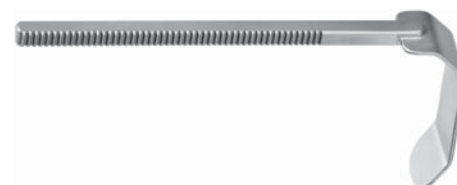


	Retractor blade, malleable 302 mm	
074-896-54		150 x 38 mm
074-896-55		150 x 51 mm
074-896-56		150 x 76 mm



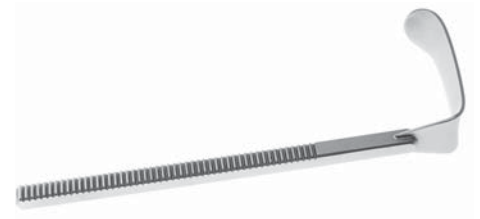
Ring Retractor System

Art. No.	Description	Size
074-896-57	GELPI hook 165 mm	
074-896-59	Hook retractor blade 190 mm	25.4 x 25.4 mm
074-896-60		51.0 x 25.4 mm
074-896-61		102.0 x 25.4 mm
074-896-63	DEAVER retractor blade	89 x 25 mm
074-896-64		127 x 25 mm
074-896-66	Vaginal retractor blade I 180 mm	83 x 25 mm
074-896-68	Vaginal retractor blade II 214 mm	114 x 25 mm



Ring Retractor System

Art. No.	Description	Size
	KELLY blade 180 mm	
074-896-69		38 x 51 mm
074-896-70		40 x 25 mm
074-896-71		65 x 25 mm
074-896-73		122 x 20 mm
074-896-74		122 x 25 mm



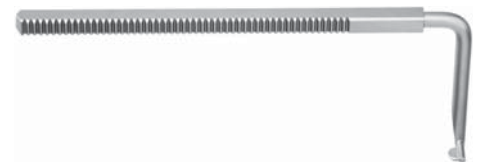
	RICHARDSON retractor blade 180 mm	
074-896-76		25 x 19 mm
074-896-77		51 x 19 mm
074-896-78		34 x 25 mm



	Rectal retractor blade 167 mm	
074-896-79		75 mm
074-896-80		95 mm



	SCOVILLE hook blade with cross bar 175 mm	
074-896-82		57 x 26 mm
074-896-83		78 x 25 mm



Ring Retractor System

Art. No.	Description	Size
	MEYERDING retractor blade 180 mm	
074-896-85		62 x 17 mm
074-896-86		81 x 25 mm
074-896-87		92 x 50 mm



	RAKE skin retractor 188 mm	
074-896-88		19 x 17 mm, 3 teeth
074-896-89		8.3 x 19 mm, 4 teeth
074-896-90		8.3 x 25 mm, 6 teeth



	KELLY vein retractor 180 mm	
074-896-91		76 x 21 mm
074-896-92		102 x 21 mm
074-896-93		127 x 21 mm
074-896-94		152 x 21 mm
074-896-95		178 x 21 mm
074-896-96		203 x 21 mm

